

List of components

STREAM Line-(Surface Mount)single unit



1-A

(1-A)
Surface mounted bracket
(fixture)
(2PCS)



1-B

(1-B)
Surface mounted bracket
(ceiling)
(2PCS)



1-C

(1-C)
Ceiling anchors
(4PCS)



1-D

(1-D)
Self-tapping screw
M3*8
(4PCS)



1-E

(1-E)
Machine screw
M3.5*25
(4PCS)



BX connector (by others)

· Please read this document thoroughly before you begin, as it includes instructions for both mechanical and electrical installation.

· A thorough understanding of the electrical and mechanical installation will be helpful in making this process easy and error-free.

· The mechanical installation should be mapped out and implemented first, followed by the electrical installation.

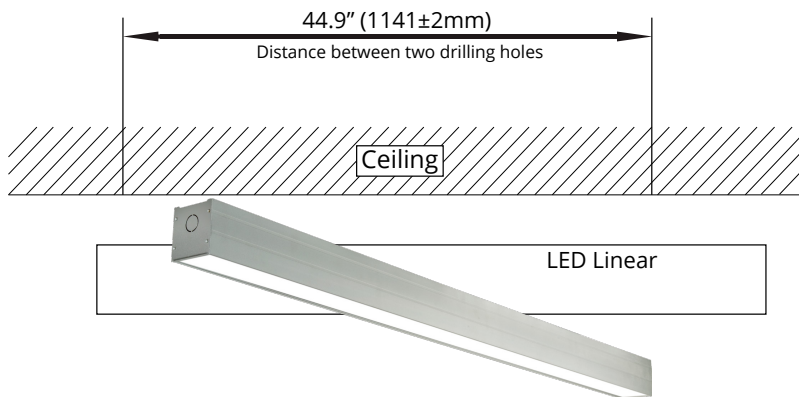
· Please save these instructions for future reference. If you have any questions, or to request replacements for missing parts, call us at (212) 677-6400.

© 2016 LED WAVES, INC ALL RIGHTS RESERVED.



LED WAVES, INC | w: < www.ledwaves.com > | e: < info@ledwaves.com > | p: 212.677.6400

STREAM Line-(Surface Mount)single unit



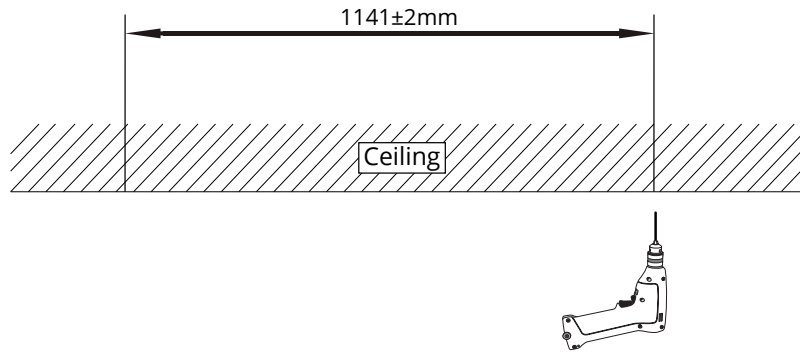
© 2016 LED WAVES, INC ALL RIGHTS RESERVED.



LED WAVES, INC | w: < www.ledwaves.com > | e: < info@ledwaves.com > | p: 212.677.6400

1

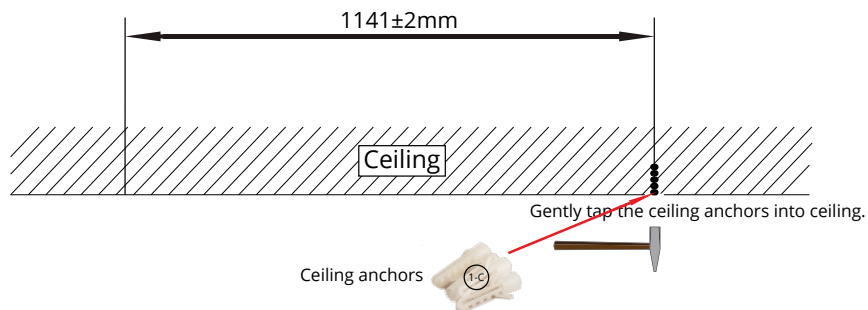
STREAM Line-(Surface Mount)single unit



Drill two holes on the ceiling as shown above and the holes should match with M6-M8 self-tapping screw.

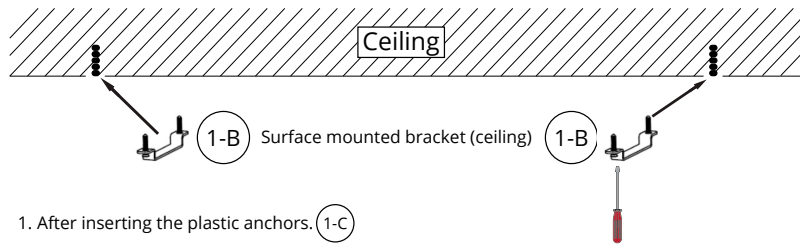
2

STREAM Line-(Surface Mount)single unit



3

STREAM Line-(Surface Mount)single unit



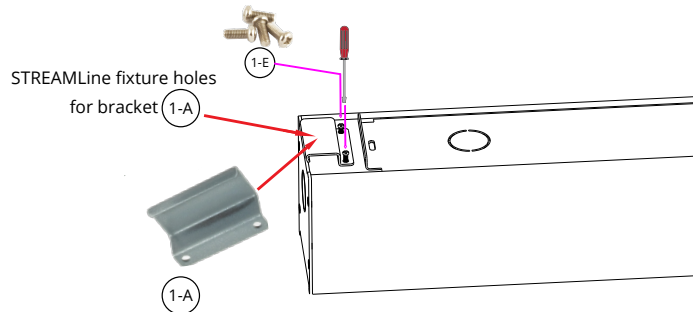
1. After inserting the plastic anchors. (1-C)
2. Scw the (1-B) surface mounted bracket (ceiling) using the (1-D) tapping screw.



4

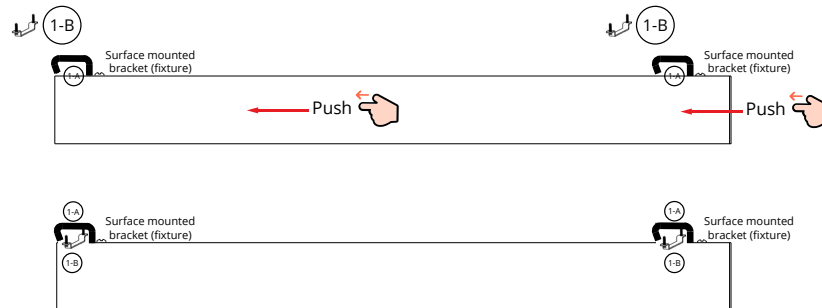
STREAM Line-(Surface Mount)single unit

Attaching surface mounted bracket (fixture) (1-A) (do this on the ground) into STREAMLine fixture with machine screws (1-E).



5

STREAM Line-(Surface Mount)single unit

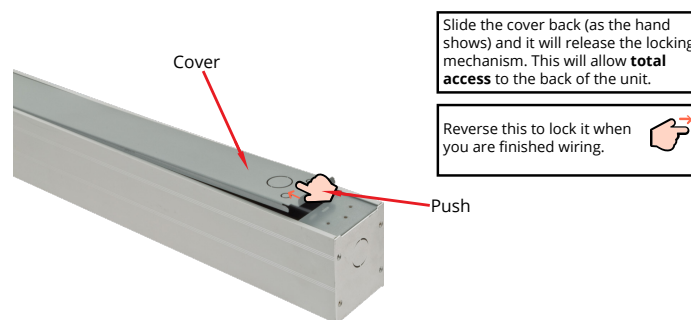


After locating the fixture under the 1-B brackets, the unit is mechanically installed.

6

STREAM Line-(Surface Mount)single unit

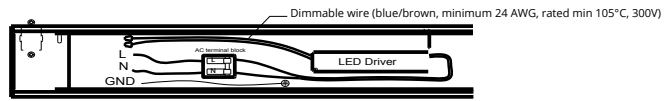
Beginning of the ELECTRICAL INSTALLATION How to remove the cover for easy access



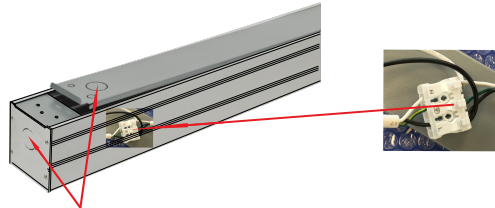
7

STREAM Line-(Surface Mount)single unit

Diagram "A" (Wiring diagram)



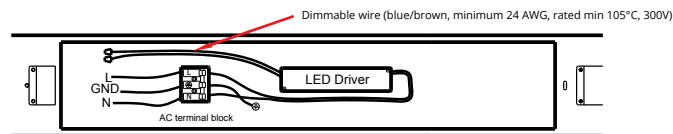
- White to neutral (quick connect) "N"
- Black to live (quick connect) "L"
- Green to ground (quick connect) "G"



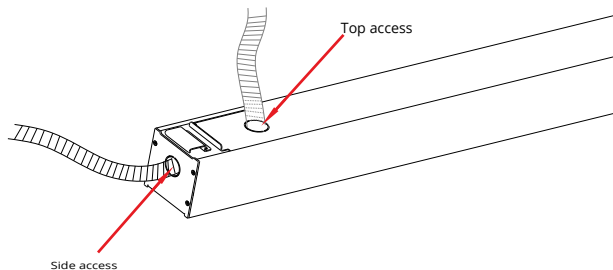
Use one of these 2 entry ways to electrify STREAMLine. Use the appropriate BX connector as a strain relief (provided by others). Use the quick connect to wire to appropriate terminal.

7A

STREAM Line-(Surface Mount)single unit



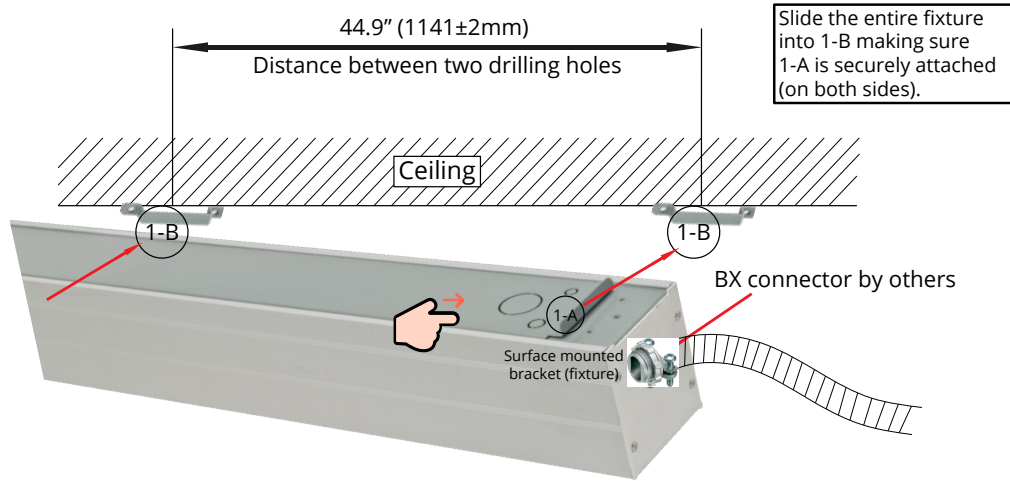
Now is a good time to electrically test the unit, to make sure it illuminates. (specially if you are dimming the unit with a 0-10 dimming system). Slide the cover of the STREAMLine back in to place.



You can electrify from either top or side, please see wiring diagram "A". If you are using 0-10 dimming please follow the diagram instructions. If not disregard the dimming wires.

8

STREAM Line-(Surface Mount)single unit



9

STREAM Line-(Surface Mount)single unit

