

# Smart LED Ballast Compatible T8 Tube – Installation Guide

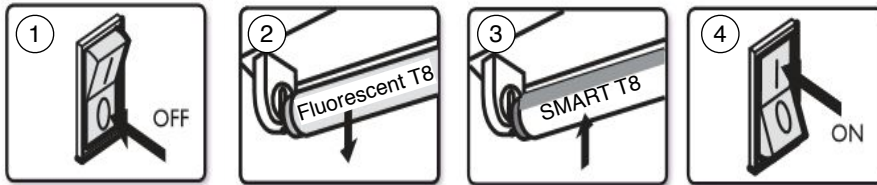
## Important – Read this before installation.

- Keep this Installation Guide for future reference.
- **Operating this product with magnetic ballast will void the warranty.**
- This product operates with instant/rapid-start electronic ballasts ONLY.
- DO NOT operate with magnetic ballasts. (Contact your LED Waves representative for compatible ballasts and fixtures.)
- This product is suitable for use with T8 fixtures in dry or damp locations, with or without a diffuser.
- This product is not dimmable. Do not use with dimmer.
- This product is not intended for use as emergency exit lighting or in emergency light fixtures.
- Modifying or operating this product not as specified will void the warranty.

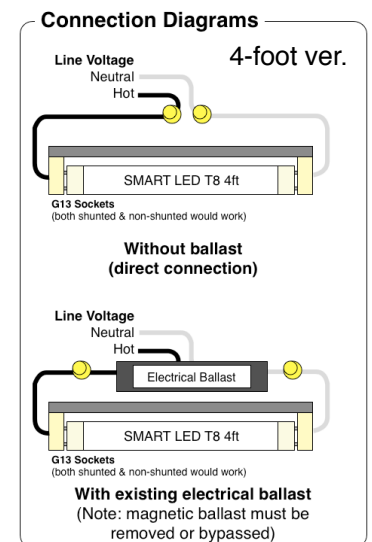
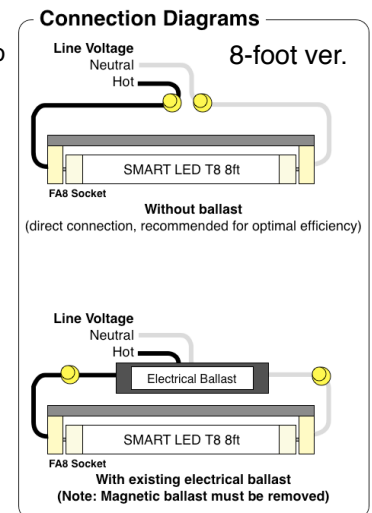
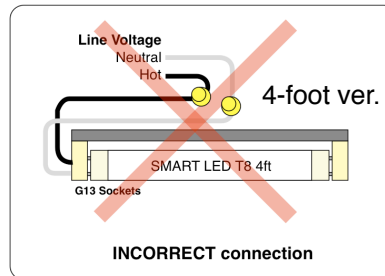
## Warning: Read this guide before installing the LED T8 Ballast Compatible Tube.

- This tube works with MOST T8 fixtures with electronic ballasts. Consult your LED Waves representative to ensure compatibility.
- Inspect your fixture(s) before installation, making sure that the T8 is the correct length, and that no sockets or lamp holders are loose or damaged.
- Test the functionality of one T8 fixture before installing mass quantities.
- **Fire Risk:** DO NOT install this product inside an overheated environment. Allow the fixture to cool to room temperature as needed before installation. If the T8 or the fixture exhibits undesirable operation (buzzing, flickering, etc.), immediately turn off the power, remove the T8, and contact LED Waves.

## Installation Instructions



1. **Turn off the power** by disconnecting the supply voltage. Remove the diffuser from the fixture to access the fluorescent bulbs and ballast inside. Refer to Connection Diagrams.  
**Note: Make sure to check that the ballast is electronic before you proceeding to the next step. Operating this product with magnetic ballast will void the warranty. This product works without ballast. Refer to the connection diagrams.**
2. Remove the existing fluorescent T8s from the lamp holders. Dispose of them according to your local code.
3. Insert the Smart LED Ballast Compatible T8 tube into the lamp holders, ensuring that the LEDs face downward for proper light distribution.
4. Restore power and turn the light on.



## Notes

- This product may cause interference with radio equipment, and therefore should NOT be installed near maritime safety communications equipment or any other critical navigation or communication equipment operating between 0.45 to 30 MHz.
- Installed properly, this product operates with electronic ballasts. If it does not function as specified, turn off the power, remove the T8, and contact LED Waves or a qualified electrician.
- For re-ordering or warranty service, contact LED Waves at [customerservice@ledwaves.com](mailto:customerservice@ledwaves.com).



## Smart LED Ballast Compatible T8 Tube – Tested Ballast List

### Tested Ballast List

The electric ballasts listed below are confirmed compatible with SMART LED T8 tubes.

**Do not use magnetic ballast with SMART LED T8 tubes. Magnetic ballast must be removed or void warranty.  
If you are unsure about ballast compatibility, bypass or remove ballast.**

<b>Accupro</b>		<b>OSRAM</b>		<b>SYLVANIA</b>
AP-432IP-UNV		QTP 2*32T8/UNV ISN-SC		QTP 1*32T8/UNV ISN-SC
		QTP 3*32T8/UNV ISN-SC		QTP 2*32T8/UNV ISN-SC
<b>General Electric (GE)</b>		QTP 4*32T8/UNV ISN-SC		QTP 3*32T8/UNV ISN-SC
GE-132-MV-N				QTP 4*32T8/UNV ISN-SC
GE-232-MV-N		<b>Pacific</b>		QHE 1*32T8/UNV ISN-SC
GE-332-MV-N		EB-232IS-120-RES		QHE 2*32T8/UNV ISN-SC
GE-432-MV-N				QHE 3*32T8/UNV ISN-SC
GE432MAX-G-N		<b>PHILIPS</b>		QHE 4*32T8/UNV ISN-SC
GE232MAX-G-N		IOP-1PSP32-SC		QHE 2x32T8/UNV PSH-HT
GE432-120RESDIYB		IOP-2PSP32-SC		QHE 3x32T8/UNV PSH-HT
GE432-120RES-DIY		IOP-3PSP32-SC		QHE 4x32T8/UNV PSH-HT
GE432MAXP-H/ULTRA		IOP-4PSP32-SC		QHE 2*59T8/UNV ISL-SC
GE132MAX-L/ULTRA		IOP-4P32-LW-N		QHE 1x32T8/UNV ISL-SC
GE232MAX-L/ULTRA		REB-1P32-SC		QHE 2x32T8/UNV ISL-SC
GE332MAX-L/ULTRA		REB-2P32-SC		QHE 3x32T8/UNV ISL-SC
GE432MAX-L/ULTRA		REB-3P32-SC		QHE 1x32T8/UNV PSN-MC
GE432MAXP-L/ULTRA		REB-4P32-SC		QHE 2x32T8/UNV PSN-MC
GE432MV-N-42T				QHE 3x32T8/UNV PSN-MC
GE132-MVPS-N		<b>PHILIPS ADVANCE</b>		QHE 4x32T8/UNV PSN-MC
GE232-MVPS-N		ICN-1P32-N		
GE332-MVPS-N		ICN-2P32-N		<b>Universal</b>
GE432-MVPS-N		ICN-3P32-N		B132IUNVHP-A (Triad)
GE132MAX-N/ULTRA		ICN-4P32-N		B232IUNVHP-A (Triad)
GE232MAX-N/ULTRA		IOPA-1P32-N		B332IUNVHP-A (Triad)
GE332MAX-N/ULTRA		IOPA-2P32-N		B432IUNVHP-A (Triad)
GE432MAX-N/ULTRA		IOPA-3P32-N		B132IUNVHE-A (ULTIM)
GE-132-MAX-H/ULTRA		IOPA-4P32-N		B232IUNVHE-A (ULTIM)
GE-232-MAX-H/ULTRA		IOP-1PSP32-LW-SC		B332IUNVHE-A (ULTIM)
GE-332-MAX-H/ULTRA		IOP-2PSP32-LW-SC		B432IUNVHE-A (ULTIM)
GE-432-MAX-H/ULTRA		IOP-3PSP32-LW-SC		B232IUNVHP-B(Triad)
		IOP-4PSP32-LW-SC		B132IUNVHP-N
<b>Howard Industries</b>				B232IUNVHP-N
EP3/32IS/MV/MC/HE		<b>Prolume</b>		B332IUNVHP-A
		EP232IS/L/MV/HE (Halco)		B432IUNVHP-A
<b>Keystone</b>				B132IUNVHE-A
KTEB-232RIS-1-TO-SL		<b>Sunpark</b>		B232IUNVHE-A
KTEB-432-UV-IS-N-P		U-1/32ISE-HBF		B332IUNVHE-A
		U-2/32ISE-HBF		B432IUNVHE-A
<b>Work Horse</b>		U-3/32ISE-HBF		
WH3-120-L		U-4/32ISE-HBF		
WH3-120-C				