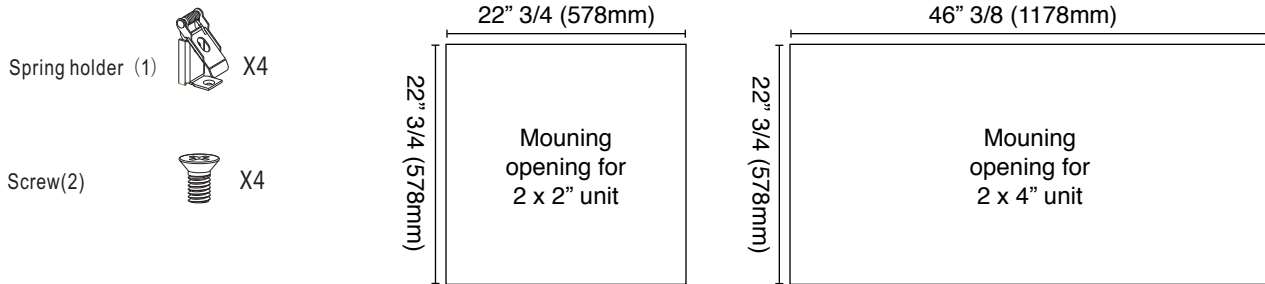
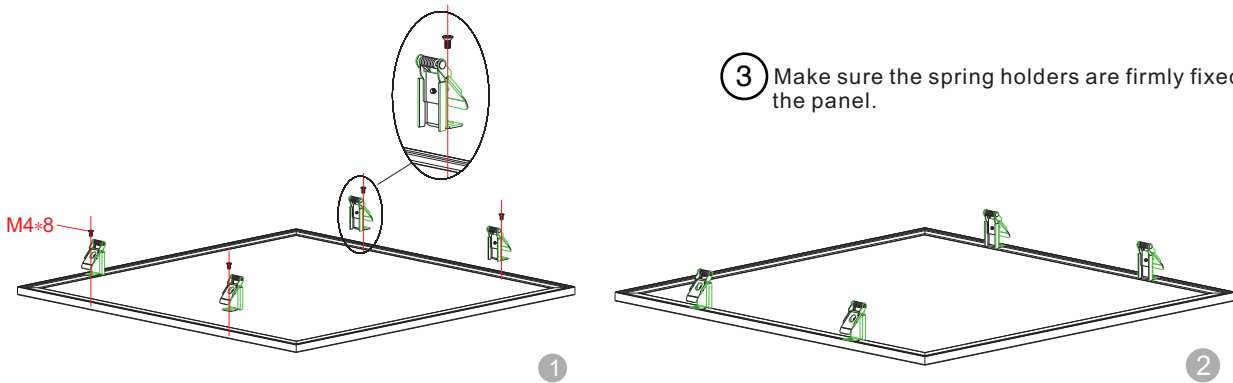


**LED WAVES Spring Recessed Clips for Skylight 2.0 LED Panel Light**

1 See the cut sizes for panels in different sizes

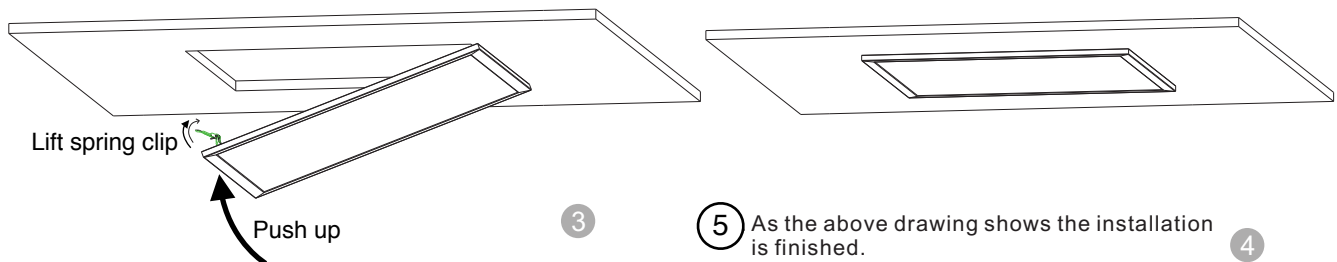


2 Attach the spring holder(1) to the corresponding sliding nuts at the edge of the LED panel(atthe back) suing the screw (2)



3 Make sure the spring holders are firmly fixed on the panel.

4 Cut a hole in 578x578mm(600x600mm panel for example) on the ceiling. Button up the spring holder(1) from one side of the panel light on the ceiling, and then the other side on the ceiling.



5 As the above drawing shows the installation is finished.