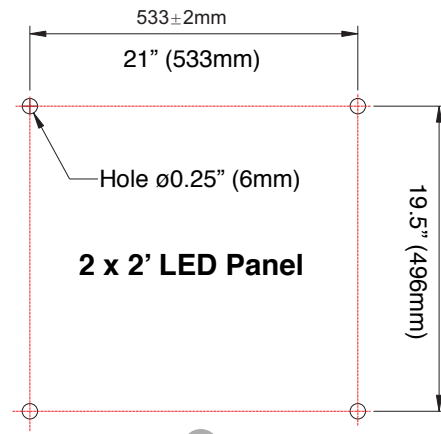
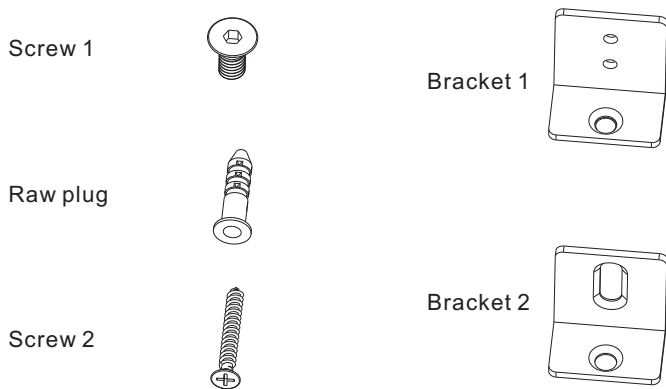
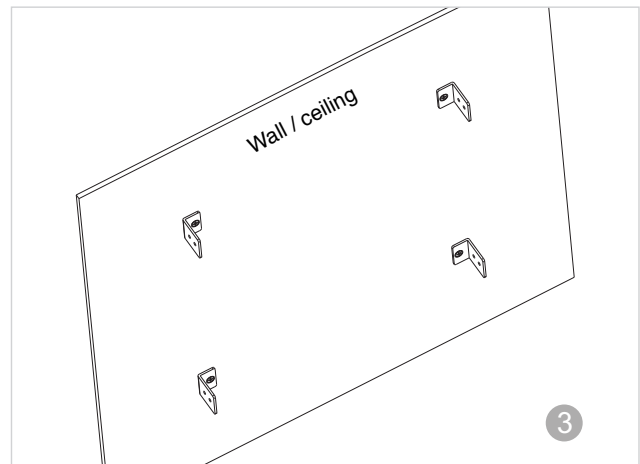
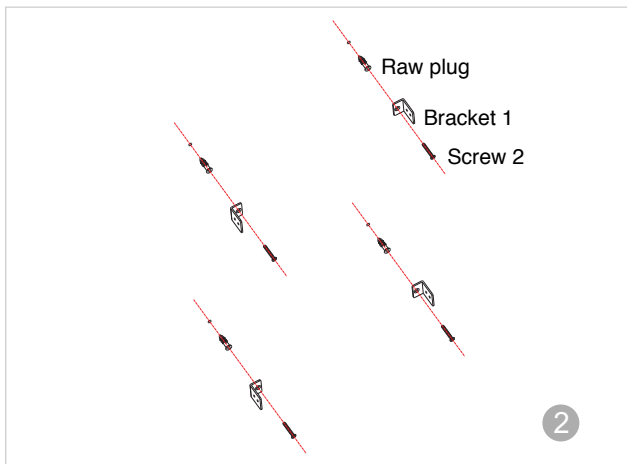


LED WAVES L-Shaped Brackets for Skylight 2.0 LED Panel Light

1 Drill four D6mm holes on wall or ceiling as per Drawing 1



- 2 Insert the raw plugs into the holes on the ceiling/wall. Use the screw 2 to fix the bracket 1 to the ceiling/wall as per Drawing 2.
- 3 Drawing 3 shows all the brackets(1) are fixed on the ceiling/wall.



- 4 Attach the bracket 2 the sliding nuts on the panels using the screw 1, but make sure they are not tightly fastened so that the brackets(2) can slide.
- 5 As per Drawing A, move the brackets(2) slowly to the corresponding position of brackets(1) and then fasten the brackets (2) on the panel. Screw the two brackets through their middle hole with screw 1

