

Owl^X

70W



Features

- Black
- Simple, Ultra-slim
- Delicate design
- Easy installation
- Patent clips structure, assures firm lens connection, (no screws) (keeps lens firmly in place)
- Innovative polymer materials
- Corrosion resistance and wear resistance
- Heat and light resistance
- Light weight
- Imported high level PC material, light transmittance $\geq 93\%$, anti UV
- Protection class IP66, mechanical impact rating IK08

Applications

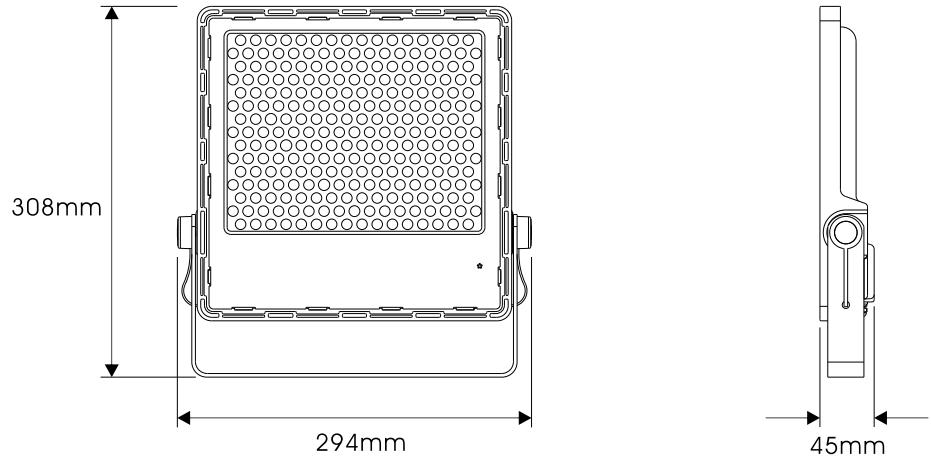
- Security light
- Shopping mall
- Exhibition center
- Parkings
- Stadiums
- Gymnasiums
- Billboards
- Stairways
- Sculptures
- Public corridors
- Landscaping works
- Parks



Owl^X

70W

Product Dimension



Product data

Optical parameters

LED chips	2835 /238PCS
Beam Angle	90°
Nominal luminous flux	7000lm±5%
Nominal luminous efficiency	100lm/W±5%
Color Temperature	5,000K
Color rendering index	Ra>80
Warranty	2years

Electrical parameters

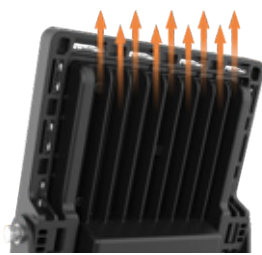
Input Voltage	120-277V
Frequency Range	50-60Hz
Rated Power	70W
Power Factor	>0.9
Operating time	<0.5S
SPD	2.5KV

Structural parameters

Materials and technology	High polymer thermal conductivity material☒
Box Dimension	325*298*50mm(L*W*H)
Quantity/box	1
Net weight/carton	1497g
Gross weight/carton	1675g
Item Code	

comprehensive parameters

Working Humidity Temperature	-25°C~45°C、 20%~95%RH
Storage humidity temperature	-40°C~80°C、 10%~95%RH
Certification	UL
Environmental directive	ROHS
IP rating	IP66
IK rating	IK08



- Integrated ultra slim design
- Optimized heat dissipation
 - Efficiency
 - Increasing the LED temperature effectiveness



- Ingress protection (IP66) grade
- Anti-dust
 - Water-proof



- PC material
- Imported (high level)
 - Anti-dust
 - Water-proof
 - Light transmittance ≥93%
 - Anti UV



- Bracket adjustability 200°



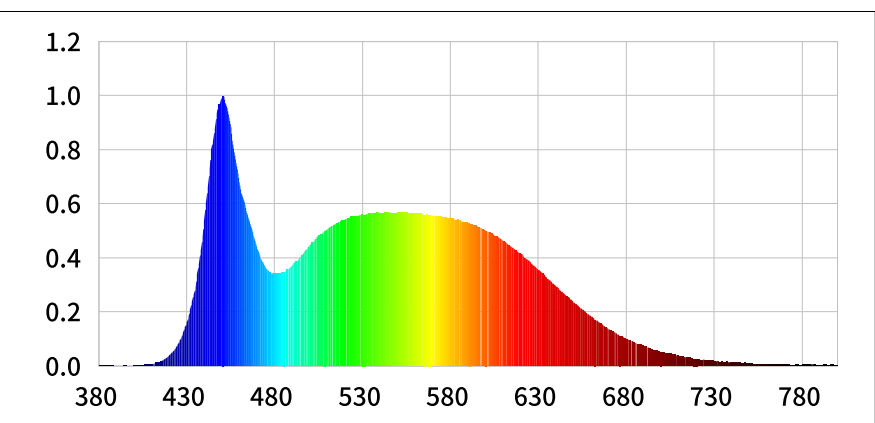
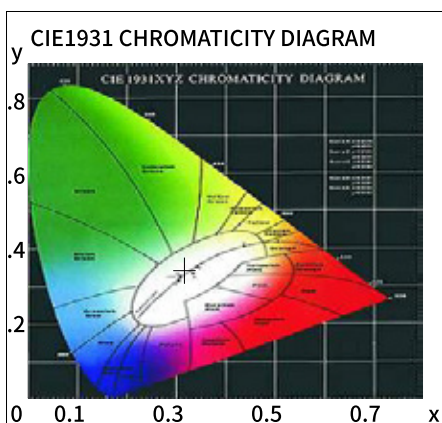
Owl^X

70W

Luminous flux testing diagram

CIE Colorimetric Parameters

Chromaticity coordinates: $x=0.3181$ $y=0.3440$ $u(u')=0.1960$ $v=0.3179$ $v'=0.4769$
 CCT: $T_c=6146K$ ($duv=0.00806$) Color Ratio: $R=0.136$ $G=0.806$ $B=0.057$
 Peak Wavelength: 451nm Half Bandwidth: 28.0nm
 Dominant Wavelength: 501.0nm Color Purity: 0.046
 CRI: R_i : $R_a=86.2$
 R1 =85 R2 =87 R3 =87 R4 =90 R5 =85 R6 =81 R7 =94 R8 =80
 R9 =26 R10=67 R11=90 R12=55 R13=85 R14=93 R15=81



Photometric Parameters

Luminous Flux: 7541.1 lm Efficiency: 103.87 lm/W Radiant Power: 23.956 W

Electric Parameters

Voltage: 120-277V Current: 0.3320A Power: 72.60W
 Power Factor: 0.9920 Frequency: 50.00Hz

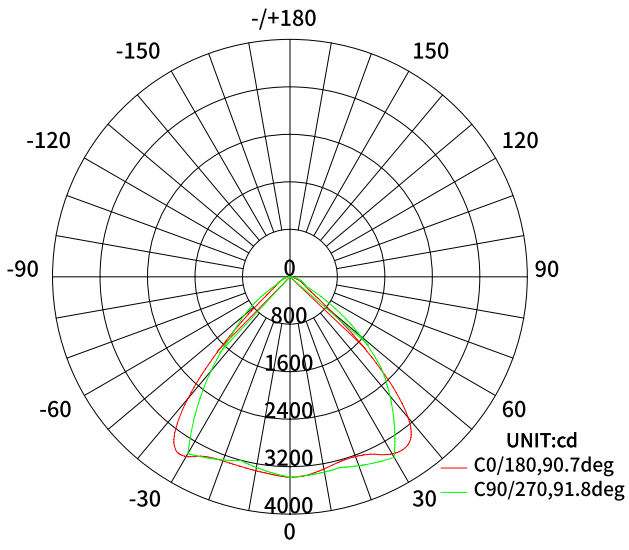
Test Information

Scan Range: 380nm~800nm:1nm Photometric Method:
 Stabilization Time: 0 Sec Photometric Condition: Sphere diameter: 1.75m, 4°
 Max of Signal: 43898 (3129) CCD Integration Time: 146.24 ms



Owl^X

70W



Height	Eavg,Emax	Angle:73.40deg	Diameter
16.4ft 5m	8.774,12.55fc 94.45,135.1lx		24.45ft 745.32cm
32.81ft 10m	2.194,3.137fc 23.61,33.77lx		48.91ft 1490.64cm
49.21ft 15m	0.9749,1.394fc 10.49,15.01lx		73.36ft 2235.96cm
65.62ft 20m	0.5484,0.7843fc 5.903,8.442lx		97.81ft 2981.29cm
82.02ft 25m	0.3510,0.5020fc 3.778,5.403lx		122.3ft 3726.61cm

