

Owl^X

20W



Features

- Black
- Simple, Ultra-slim
- Delicate design
- Easy installation
- Patent clips structure, assures firm lens connection, (no screws) (keeps lens firmly in place)
- Innovative polymer materials
- Corrosion resistance and wear resistance
- Heat and light resistance
- Light weight
- Imported high level PC material, light transmittance $\geq 93\%$, anti UV
- Protection class IP66, mechanical impact rating IK08

Applications

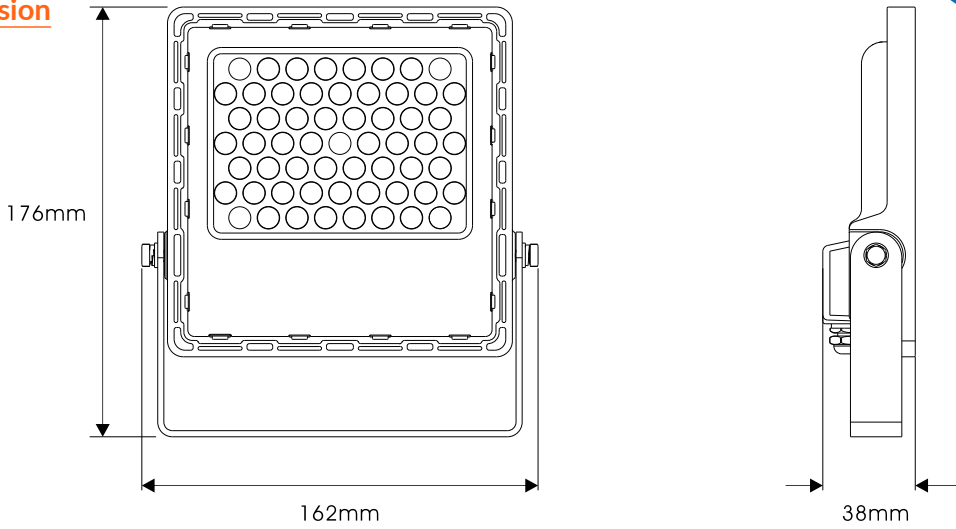
- Security light
- Shopping mall
- Exhibition center
- Parkings
- Stadiums
- Gymnasiums
- Billboards
- Stairways
- Sculptures
- Public corridors
- Landscaping works
- Parks



Owl^X

20W

Product Dimension



Product data

Optical parameters

LED chips	2835 /54PCS
Beam Angle	90°
Nominal luminous flux	2000lm±5%
Nominal luminous efficiency	100lm/W±5%
Color Temperature	5,000K
Color rendering index	Ra>80
Warranty	2years

Electrical parameters

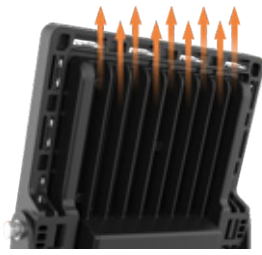
Input Voltage	120-277V
Frequency Range	50-60Hz
Rated Power	20W
Power Factor	>0.9
Operating time	<0.5S
SPD	2.5KV

Structural parameters

Materials and technology	High polymer thermal conductivity material
Box Dimension	198*166*42mm(L*W*H)
Quantity/box	1
Net weight/carton	349g
Gross weight/carton	410g
Item Code	

comprehensive parameters

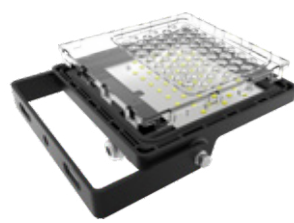
Working Humidity Temperature	-25°C~45°C、 20%~95%RH
Storage humidity temperature	-40°C~80°C、 10%~95%RH
Certification	UL
Environmental directive	ROHS
IP rating	IP66
IK rating	IK08



- Integrated ultra slim design
- Optimized heat dissipation
 - Efficiency
 - Increasing the LED temperature effectiveness



- Ingress protection (IP66) grade
- Anti-dust
 - Water-proof



- PC material
- Imported (high level)
 - Anti-dust
 - Water-proof
 - Light transmittance ≥93%
 - Anti UV



- Bracket adjustability 200°



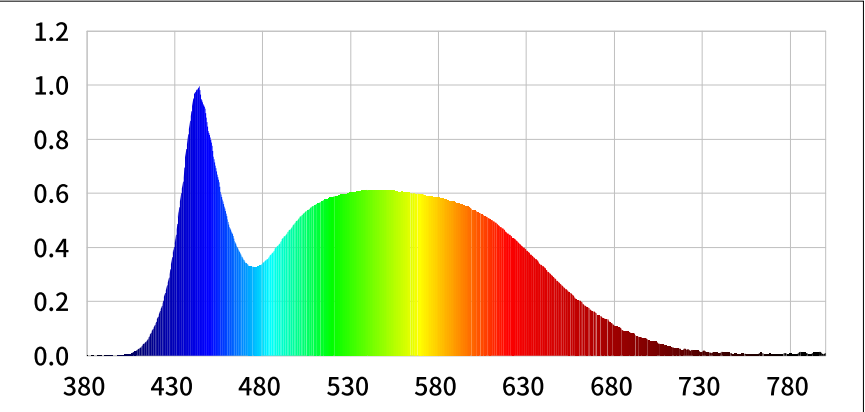
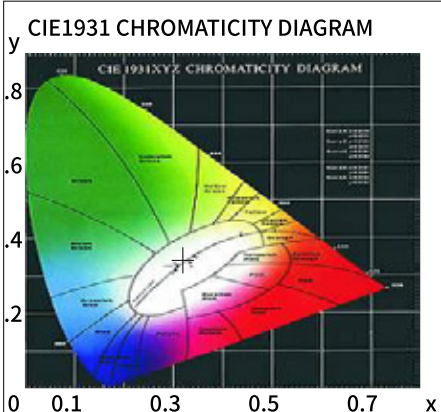
Owl^X

20W

Luminous flux testing diagram

CIE Colorimetric Parameters

Chromaticity coordinates: $x=0.3196$ $y=0.3433$ $u(u')=0.1973$ $v=0.3178$ $v'=0.4767$
 CCT: $T_c=6082K$ ($duv=0.00702$) Color Ratio: $R=0.138$ $G=0.808$ $B=0.054$
 Peak Wavelength: 444nm Half Bandwidth: 28.5nm
 Dominant Wavelength: 501.3nm Color Purity: 0.042
 CRI: R_i : $R_a=85.2$
 R1 =85 R2 =84 R3 =83 R4 =92 R5 =87 R6 =80 R7 =90 R8 =81
 R9 =27 R10=62 R11=93 R12=65 R13=83 R14=91 R15=81



Photometric Parameters

Luminous Flux: 1043.3 lm Efficiency: 104.33 lm/W Radiant Power: 3.356 W

Electric Parameters

Voltage: 120-277V Current: 0.0460A Power: 10.00W
 Power Factor: 0.9880 Frequency: 50.00Hz

Test Information

Scan Range: 380nm~800nm:1nm Photometric Method:
 Stabilization Time: 0 Sec Photometric Condition: Sphere diameter: 1.75m, 4°
 Max of Signal: 45352 (3428) CCD Integration Time: 1242.24 ms



Owl^X

20W

