

Owl^X

200W



Features

- Black
- Simple, Ultra-slim
- Delicate design
- Easy installation
- Patent clips structure, assures firm lens connection, (no screws) (keeps lens firmly in place)
- Innovative polymer materials
- Corrosion resistance and wear resistance
- Heat and light resistance
- Light weight
- Imported high level PC material, light transmittance $\geq 93\%$, anti UV
- Protection class IP66, mechanical impact rating IK08

Applications

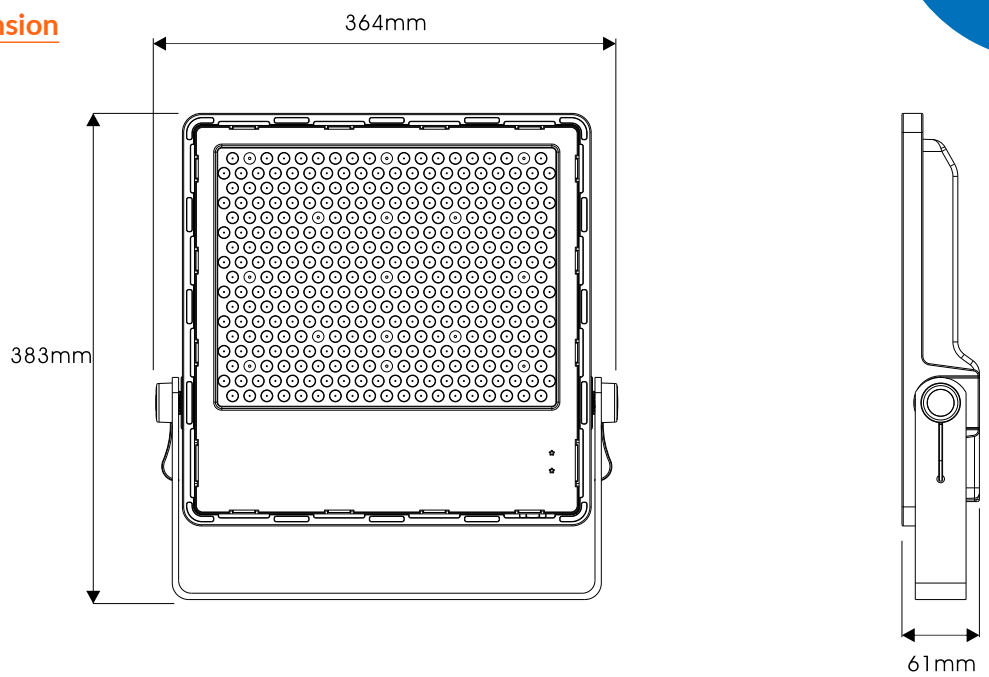
- Security light
- Shopping mall
- Exhibition center
- Parkings
- Stadiums
- Gymnasiums
- Billboards
- Stairways
- Sculptures
- Public corridors
- Landscaping works
- Parks



Owl^X

200W

Product Dimension



Product data

Optical parameters

LED chips	2835/312PCS
Beam Angle	90°
Nominal luminous flux	23000lm±5%
Nominal luminous efficiency	115lm/W±5%
Color Temperature	5,000K
Color rendering index	Ra>80
Warranty	2years

Electrical parameters

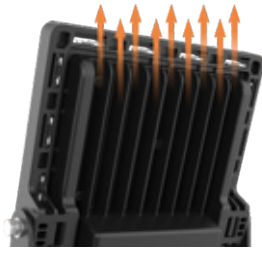
Input Voltage	120-277V
Frequency Range	50-60Hz
Rated Power	200W
Power Factor	>0.9
Operating time	<0.5S
SPD	2.5KV

Structural parameters

Materials and technology	Aluminium alloy
Box Dimension	430*165*452mm(L*W*H)
Quantity/box	1
Net weight/carton	5130g
Gross weight/carton	
Item Code	

comprehensive parameters

Working Humidity Temperature	-25°C~45°C、 20%~95%RH
Storage humidity temperature	UL
Certification	BIS
Environmental directive	ROHS
IP rating	IP66
IK rating	IK08



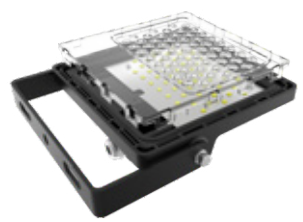
Integrated ultra slim design

- Optimized heat dissipation
- Efficiency
- Increasing the LED temperature effectiveness



Ingress protection (IP66) grade

- Anti-dust
- Water-proof



PC material

- Imported (high level)
- Anti-dust
- Water-proof
- Light transmittance ≥93%
- Anti UV



• Bracket adjustability 200°



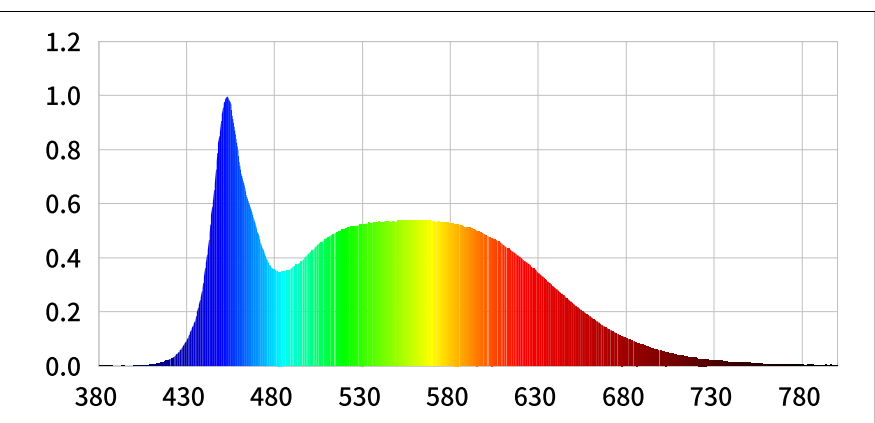
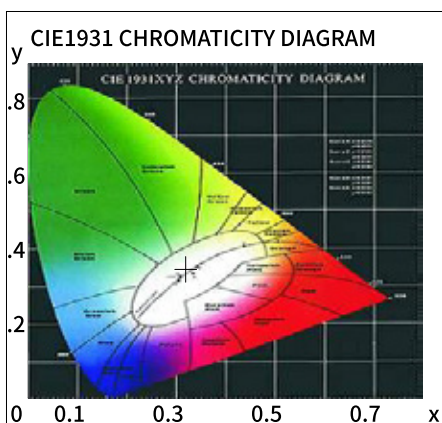
Owl^X

200W

Luminous flux testing diagram

CIE Colorimetric Parameters

Chromaticity coordinates: $x=0.3208$ $y=0.3474$ $u(u')=0.1966$ $v=0.3193$ $v'=0.4790$
 CCT: $T_c=6012K$ ($duv=0.00850$) Color Ratio: $R=0.138$ $G=0.802$ $B=0.060$
 Peak Wavelength: 453nm Half Bandwidth: 26.9nm
 Dominant Wavelength: 507.2nm Color Purity: 0.038
 CRI: R_i : $R_a=86.4$
 R1 =85 R2 =89 R3 =91 R4 =87 R5 =84 R6 =83 R7 =94 R8 =78
 R9 =27 R10=72 R11=87 R12=53 R13=86 R14=95 R15=81



Photometric Parameters

Luminous Flux: 21299.1 lm Efficiency: 103.24 lm/W Radiant Power: 67.605 W

Electric Parameters

Voltage: 120-277V Current: 0.9540A Power: 206.30W
 Power Factor: 0.9830 Frequency: 49.99Hz

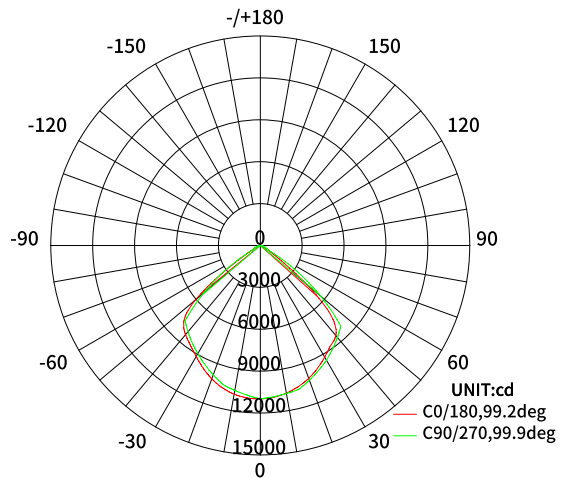
Test Information

Scan Range: 380nm~800nm:1nm Photometric Method:
 Stabilization Time: 0 Sec Photometric Condition: Sphere diameter: 1.75m, 4°
 Max of Signal: 51031 (3273) CCD Integration Time: 58.01 ms



Owl^X

200W



Height	Eavg, Emax	Angle:99.18deg	Diameter
16.4ft 5m	16.10,40.81fc 173.3,439.3lx		38.54ft 1174.61cm
32.81ft 10m	4.026,10.20fc 43.33,109.8lx		77.07ft 2349.22cm
49.21ft 15m	1.789,4.534fc 19.26,48.81lx		115.6ft 3523.84cm
65.62ft 20m	1.006,2.551fc 10.83,27.45lx		154.1ft 4698.45cm
82.02ft 25m	0.6441,1.632fc 6.933,17.57lx		192.7ft 5873.06cm

