

# Owl<sup>X</sup>

10W



## Features

- Black
- Simple, Ultra-slim
- Delicate design
- Easy installation
- Patent clips structure, assures firm lens connection, (no screws) (keeps lens firmly in place)
- Innovative polymer materials
- Corrosion resistance and wear resistance
- Heat and light resistance
- Light weight
- Imported high level PC material, light transmittance  $\geq 93\%$ , anti UV
- Protection class IP66, mechanical impact rating IK08

## Applications

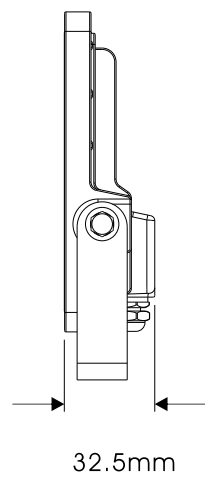
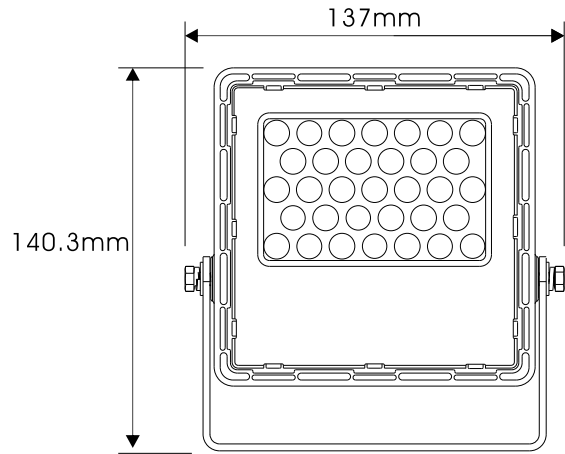
- Security light
- Shopping mall
- Exhibition center
- Parkings
- Stadiums
- Gymnasiums
- Billboards
- Stairways
- Sculptures
- Public corridors
- Landscaping works
- Parks



# Owl<sup>X</sup>

10W

## Product Dimension



## Product data

### Optical parameters

LED chips	2835 /28PCS
Beam Angle	90°
Nominal luminous flux	1000lm±5%
Nominal luminous efficiency	100lm/W±5%
Color Temperature	5,000K
Color rendering index	Ra>80
Warranty	2years

### Electrical parameters

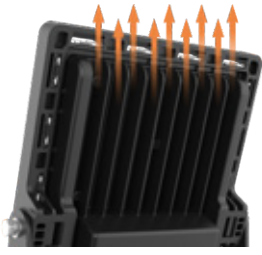
Input Voltage	120-277V
Frequency Range	50-60Hz
Rated Power	10W
Power Factor	>0.9
Operating time	<0.5S
SPD	2.5KV

### Structural parameters

Materials and technology	High polymer thermal conductivity material
Box Dimension	159*144*36mm(L*W*H)
Quantity/box	1
Net weight/carton	228g
Gross weight/carton	269g
Item Code	

### comprehensive parameters

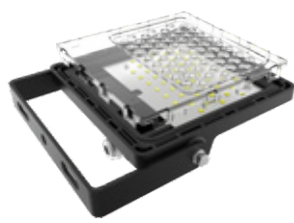
Working Humidity Temperature	-25°C~45°C、 20%~95%RH
Storage humidity temperature	-40°C~80°C、 10%~95%RH
Certification	UL
Environmental directive	ROHS
IP rating	IP66
IK rating	IK08



- Integrated ultra slim design
- Optimized heat dissipation
  - Efficiency
  - Increasing the LED temperature effectiveness



- Ingress protection (IP66) grade
- Anti-dust
  - Water-proof



- PC material
- Imported (high level)
  - Anti-dust
  - Water-proof
  - Light transmittance ≥93%
  - Anti UV



- Bracket adjustability 200°



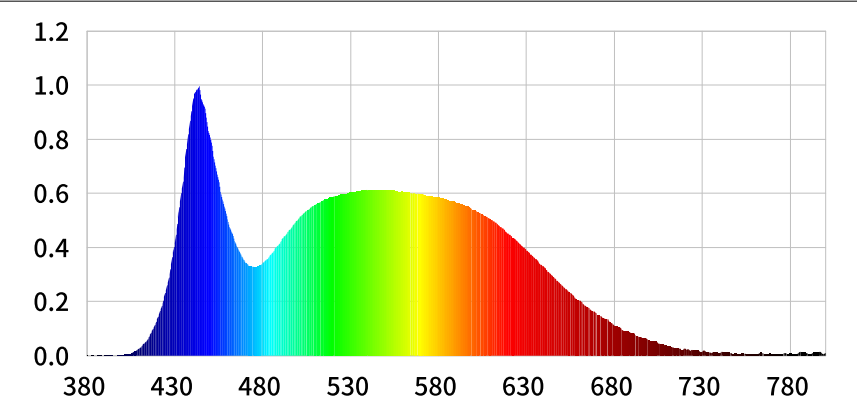
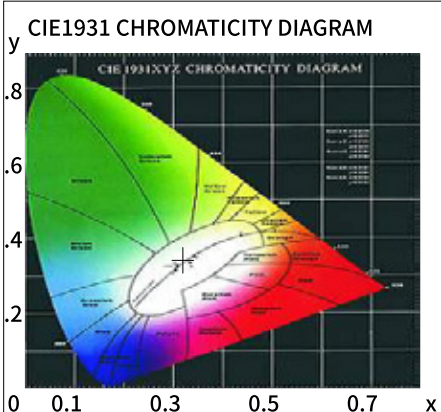
# Owl<sup>X</sup>

10W

## Luminous flux testing diagram

### CIE Colorimetric Parameters

Chromaticity coordinates:  $x=0.3196$   $y=0.3433$   $u(u')=0.1973$   $v=0.3178$   $v'=0.4767$   
 CCT:  $T_c=6082K$  ( $duv=0.00702$ )      Color Ratio:  $R=0.138$   $G=0.808$   $B=0.054$   
 Peak Wavelength: 444nm      Half Bandwidth: 28.5nm  
 Dominant Wavelength: 501.3nm      Color Purity: 0.042  
 CRI:  $R_i$ :  $R_a=85.2$   
 R1 =85      R2 =84      R3 =83      R4 =92      R5 =87      R6 =80      R7 =90      R8 =81  
 R9 =27      R10=62      R11=93      R12=65      R13=83      R14=91      R15=81



### Photometric Parameters

Luminous Flux: 1043.3 lm      Efficiency: 104.33 lm/W      Radiant Power: 3.356 W

### Electric Parameters

Voltage: 120-277V      Current: 0.0460A      Power: 10.00W  
 Power Factor: 0.9880      Frequency: 50.00Hz

### Test Information

Scan Range: 380nm~800nm:1nm      Photometric Method:  
 Stabilization Time: 0 Sec      Photometric Condition: Sphere diameter: 1.75m, 4π  
 Max of Signal: 45352 (3428)      CCD Integration Time: 1242.24 ms



# Owl<sup>X</sup>

10W

