

Owl^X

100W



Features

- Black
- Simple, Ultra-slim
- Delicate design
- Easy installation
- Patent clips structure, assures firm lens connection, (no screws) (keeps lens firmly in place)
- Innovative polymer materials
- Corrosion resistance and wear resistance
- Heat and light resistance
- Light weight
- Imported high level PC material, light transmittance $\geq 93\%$, anti UV
- Protection class IP66, mechanical impact rating IK08

Applications

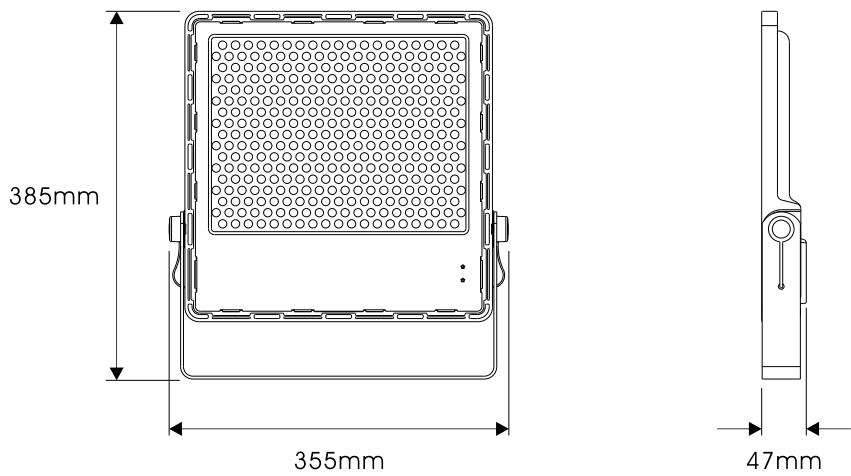
- Security light
- Shopping mall
- Exhibition center
- Parkings
- Stadiums
- Gymnasiums
- Billboards
- Stairways
- Sculptures
- Public corridors
- Landscaping works
- Parks



Owl^X

100W

Product Dimension



Product data

Optical parameters

LED chips	2835 /312PCS
Beam Angle	90°
Nominal luminous flux	10000lm±5%
Nominal luminous efficiency	100lm/W±5%
Color Temperature	5,000K
Color rendering index	Ra > 70
Warranty	2years

Electrical parameters

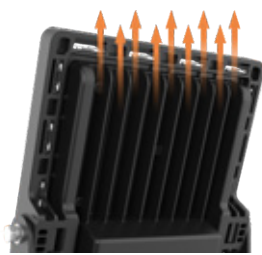
Input Voltage	120-277V
Frequency Range	50-60Hz
Rated Power	100W
Power Factor	>0.9
Operating time	<0.5S
SPD	2.5KV

Structural parameters

Materials and technology	High polymer thermal conductivity material
Box Dimension	405*360*53mm(L*W*H)
Quantity/box	1
Net weight/carton	2402g
Gross weight/carton	2651g
Item Code	
Carton Dimension	420*375*365mm(L*W*H)

comprehensive parameters

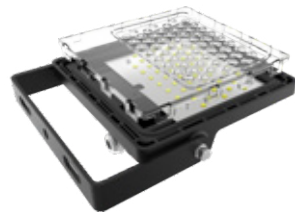
Working Humidity Temperature	-25°C~45°C、 20%~95%RH
Storage humidity temperature	-40°C~80°C、 10%~95%RH
Certification	UL
Environmental directive	ROHS
IP rating	IP66
IK rating	IK08



- Integrated ultra slim design
- Optimized heat dissipation
 - Efficiency
 - Increasing the LED temperature effectiveness



- Ingress protection (IP66) grade
- Anti-dust
 - Water-proof



- PC material
- Imported (high level)
 - Anti-dust
 - Water-proof
 - Light transmittance ≥93%
 - Anti UV



- Bracket adjustability 200°



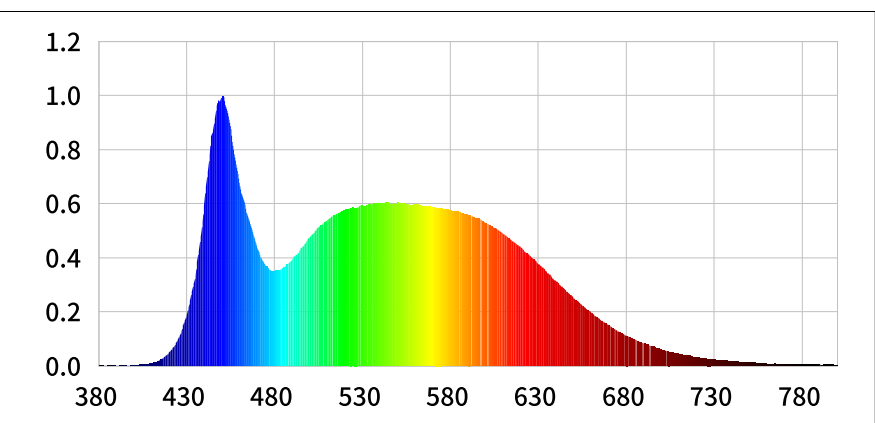
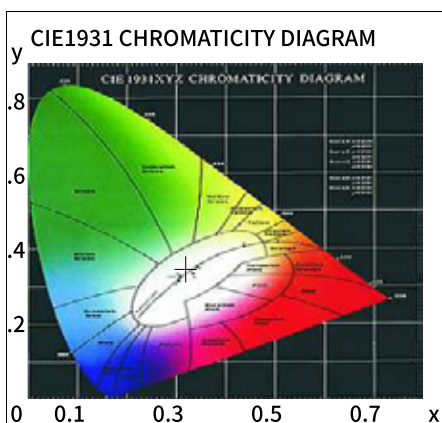
Owl^X

100W

Luminous flux testing diagram

CIE Colorimetric Parameters

Chromaticity coordinates: $x=0.3197$ $y=0.3469$ $u(u')=0.1961$ $v=0.3191$ $v'=0.4786$
 CCT: $T_c=6062K$ ($duv=0.00874$) Color Ratio: $R=0.136$ $G=0.807$ $B=0.056$
 Peak Wavelength: 450nm Half Bandwidth: 29.0nm
 Dominant Wavelength: 505.4nm Color Purity: 0.041
 CRI: R_i : $R_a=85.9$
 R1 =84 R2 =86 R3 =87 R4 =91 R5 =85 R6 =81 R7 =94 R8 =80
 R9 =25 R10=66 R11=90 R12=56 R13=84 R14=93 R15=81



Photometric Parameters

Luminous Flux: 10730.6 lm Efficiency: 103.08 lm/W Radiant Power: 34.070 W

Electric Parameters

Voltage: 120-277V Current: 0.4920A Power: 104.10W
 Power Factor: 0.9590 Frequency: 50.00Hz

Test Information

Scan Range: 380nm~800nm:1nm Photometric Method:
 Stabilization Time: 0 Sec Photometric Condition: Sphere diameter: 1.75m, 4°
 Max of Signal: 50217 (3142) CCD Integration Time: 124.30 ms



Owl^X

100W

