

# MONO-POINT

## Fixtures

An all-metal finish gives these fixtures an effortlessly sleek, modern look. The direction of each spotlight can be manually adjusted. Select fixtures available with light-diffusing louver.

OMEGA



ALPHA



ZETA



OMEGA Louver



EPSILON Louver



PI Louver



CHI-ZIGGURAT



EPSILON



PI



# MONO-POINT

## Delta-Fixtures

Classic meets contemporary in these mod style fixtures. The direction of each spotlight can be manually adjusted. Available with light-diffusing louver.

DELTA Cobalt



DELTA Frosted



DELTA Cognac



DELTA Cobalt Louver



DELTA Frosted Louver



DELTA Cognac Louver



# MONO-POINT

## Chi-Fixtures

These satin nickel fixtures feature a semi-opaque shade to help obscure the LED bulb. The direction of each spotlight can be manually adjusted.

<p>CHI-CONE Frosted</p> 	<p>CHI-CONE Blue</p> 	<p>CHI-CONE Green</p> 		
<p>CHI-DECO Frosted</p> 	<p>CHI-DECO Blue</p> 	<p>CHI-DECO Cognac</p> 	<p>CHI-DECO Green</p> 	<p>CHI-DECO Burgundy</p> 
<p>NEO-CONE Frosted</p> 	<p>NEO-CONE Blue</p> 	<p>NEO-CONE Cognac</p> 	<p>NEO-CONE Yellow</p> 	<p>NEO-CONE Red</p> 
<p>CHI-ZIGGURAT Frosted</p> 	<p>CHI-ZIGGURAT Blue</p> 	<p>CHI-ZIGGURAT Green</p> 		

# MONO-POINT

## Glass Suspension

These pendant light fixtures feature glass shades in a variety of colors and styles. Each fixture comes with a set of adjustable 36-inch suspension cables that connect to the power supply in the ceiling.

LAMBDA Frosted



LAMBDA Cobalt



LAMBDA Cognac



LAMBDA Green



LAMBDA Yellow



LAMBDA Red



PYRAMID Frosted



PYRAMID Blue



PYRAMID Salmon



# MONO-POINT

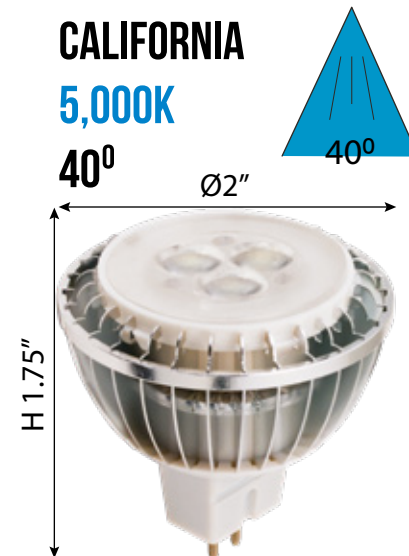
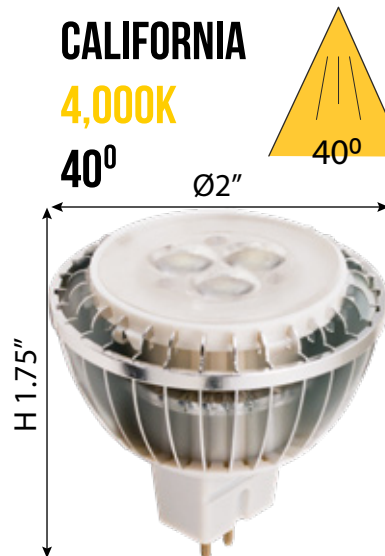
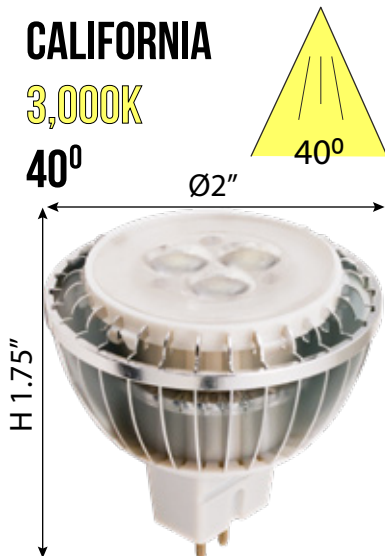
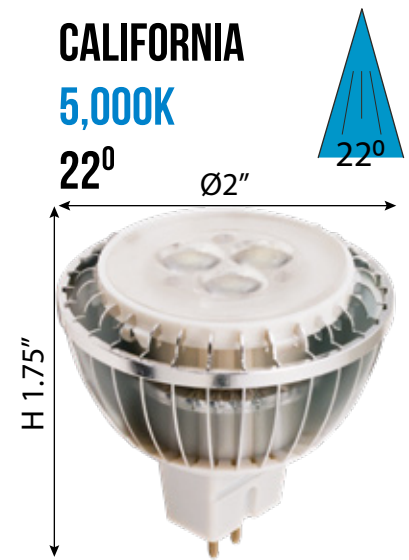
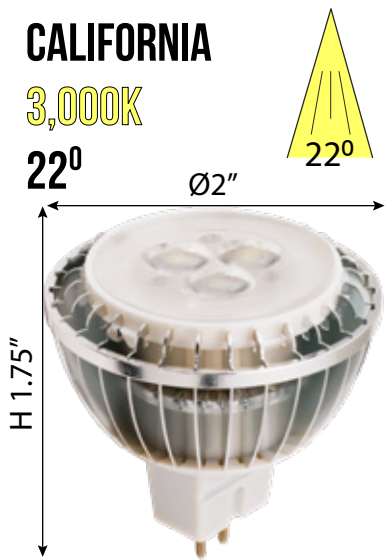
The California (CA) LED MR16 is a 7 Watt replacement for a 40 Watt halogen spot light bulb, made by LED Waves. This bulb is built with Cree XT-E LEDs to ensure higher flux, efficacy and light quality.

Bulbs are available in three color temperatures:

- 3,000K (Warm White)
- 4,000K (Neutral White)
- 5,000 (Cool White)

Choose from two beam spreads:

- 22 degrees (Narrow)
- 40 degrees (Wide flood)



# MONO-POINT

## Step-1 Fixtures & Bulbs

The easiest and most fun part is selecting the quantity and style of bulbs and fixtures for your Mono-Point lighting setup.

Choose from our wide selection of adjustable spotlight and pendant light fixtures. Identify the beam angle and color temperature of MR16 bulbs you need. (See previous pages for fixtures and bulb specifications).

## Step-2 Power Supply

Each fixture comes with a dedicated 12 volt LED driver. This sits above the ceiling and connects to your building's line volt power (120VAC) in the ceiling.

NOT DIMMABLE

Choose from dimmable or non-dimming power supply options. Dimmable power supplies are compatible with standard incandescent (AKA leading edge, or TRIAC) Forward Phase Control dimmers.

## Step-3 Installation

Mechanical installation is a snap: Simply feed the power supply to the fixture. Each fixture includes canopy screws to tighten the fixture (or pendant cables) flush against the ceiling.

Make sure to turn the power OFF at the circuit breaker before attempting electrical installation. Connect the Mono-Point fixture to the LED driver via the attached Quick Connect ends. Connect the driver to your building's line voltage using wire nuts (available from any hardware store).

LedWaves *Waves Of The Future*

Customer safety and satisfaction is paramount at LED Waves.

Please do not hesitate to contact us

TOLL-FREE at  
**1-800- 986-0169**

for free technical support,  
Consultations & Free Professional lighting plans

LED Waves is a Service Disabled Veteran Owned Small Business.

