

# LED WAVES MARQUEE X

(SHOEBOX-STYLE AREA LIGHT FIXTURES)



KB (Knuckle)

SB (Straight)

AB (Angle)

- FOOTBALL FIELDS
- BASKETBALL COURT
- TENNIS & BADMINTON COURTS
- COMMUNITY LEISURE & ENTERTAINMENT PLAZAS AND VENUES
- SPORTS STADIUMS
- ROAD LAMP
- SCHOOL PLAYGROUNDS



# MARQUEE X

(SHOEBOX-STYLE AREA LIGHT FIXTURES)

SKUs	Watts	Lm/W	Lumens	Kelvin	CRI	# of LED	Viewing °	Optics	Driver Type	Driver
LW-MQS-150W-LT3Y1-5000K	150	130	19,500	5,000	> 70	140	150°x85°	Type III	HLG-150H-48A	Mean Well
LW-MQS-300W-AT3Z-5000K	300	135	41,000	5,000	> 70	280	150°x85°	Type III	HLG-320H-48B	Mean Well
LW-MQS-480W-VT3Y-5000K	480	140	64,800	5,000	> 70	560	150°x85°	Type III	HVG-240-48A (x2)	Mean Well

SKUs	EQUIVALENTS				Voltage	Hertz	Material	Accessories
	CFL	HQI	HPS	HID				
LW-MQS-150W-LT3Y1-5000K	310W	500W	500W	500W	100-277Vac	50/60Hz	Aluminium	KB/SB/AB/UB
LW-MQS-300W-AT3Z-5000K	600W	1,000W	1,000W	1,000W	100-277Vac	50/60Hz	Aluminium	KB/SB/AB/UB
LW-MQS-480W-VT3Y-5000K	1,000W	1,500W	1,500W	1,500W	100-277Vac	50/60Hz	Magnesium + Aluminium	KB/SB/AB

Specifications common to all

Operating Temperature	-20°C TO 45°C	Chip Vendor	Lumileds Philips
Operating Humidity	20% -70% RH	Chips	3030 2D (1.5W)
Storage Humidity	10% -75% RH	Materials	Magnesium + Aluminium
Warranty	5 Years	Safety Certification	UL, cUL
Applications	Indoor / Outdoor	Performance Certification	DLC
Housing	Black	Power Factor	> 0.9
		IP Rating	IP65



# LED WAVES MARQUEE X

(SHOEBOX-STYLE AREA LIGHT FIXTURES)

130/140 LUMENS/WATT

- Virtually maintenance-free
- Excellent energy savings
- Highly functional illumination  
(more than 50,000 hours with normal usage)
- The ideal replacement for inefficient
  - Metal Halide (HQI)
  - High Pressure Sodium lights (HPS)
  - High Intensity Discharge (HID)
  - Compact Fluorescent (CFL)
- Maintain their color temperature for years, without fading or yellowing.

LED Waves Marquee X provides the highest levels of superior quality, naturally directional, long-lasting LED lighting and safe, glare-free illumination. LED Waves Shoebox-style fixtures are ideal for all types of outdoor areas as well as indoor lighting.

Promoting greater flexibility and adaptability to suit all commercial, recreational and industrial applications.

3 available mounting brackets



**KB** Knuckle  
(Standard Bracket)



**SB** Straight Bracket  
(Add SB)



**AB** Angle Bracket  
(Add AB)



# MARQUEE X

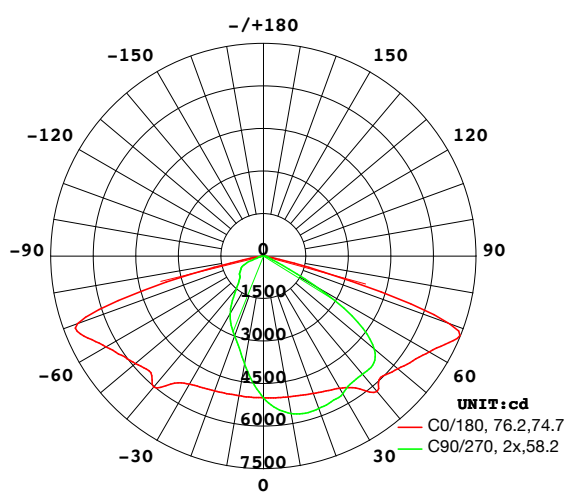
(SHOEBOX-STYLE AREA LIGHT FIXTURES)

## 150W

DATA OF LAMP		PHOTOMETRIC DATA			Nominal L/W : 130.20	
		Imax (cd)	9,392	*S / MH (C0/180)	1.77	
NOMINAL POWER (W)	150	****LOR (%)	100.0	*S / MH (C90/270)	0.72	
RATED VOLTAGE (V)	120	TOTAL FLUX (lm)	19,355	η UP, DN (C0-180)	0.1, 67.3	
NOMINAL FLUX (lm)	19,355.1	CIE CLASS	DIRECT	η UP, DN (C180-360)	0.1, 32.5	
LAMPS INSIDE	1	η up (%)	0.2	**CIBSE SHR NOM	1.50	
TEST VOLTAGE (V)	120	η down (%)	99.8	***CIBSE SHR MAX	1.55	

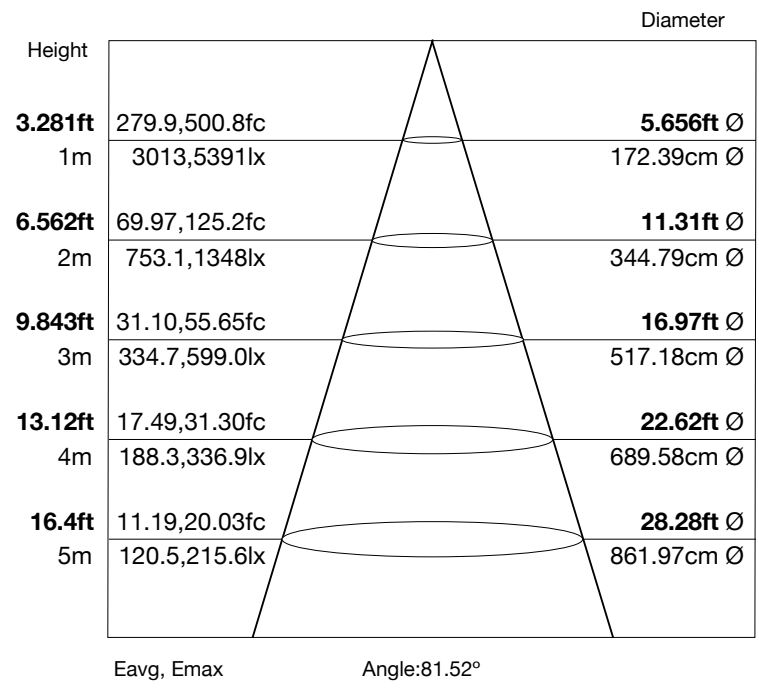
- \* Spacing Mounting Height Ratio (S/MH)  
i.e. if fixtures are 10ft high spacing would be optimally 17.7ft apart (180°)  
i.e. if fixtures are 10ft high spacing would be optimally 7.2ft apart (90/270°)
- \*\* Spacing Height Ratio Nominal
- \*\*\* Spacing Height Ratio Maximum
- \*\*\*\* Light Output Ratio

LUMINOUS INTENSITY DISTRIBUTION DIAGRAM



AVERAGE BEAM ANGLE(50%):115.5 DEG

Flux out: 7,152 lm



Note: The Curves indicate the illuminated area and the average illumination when the luminaire is at different distance.



# MARQUEE X

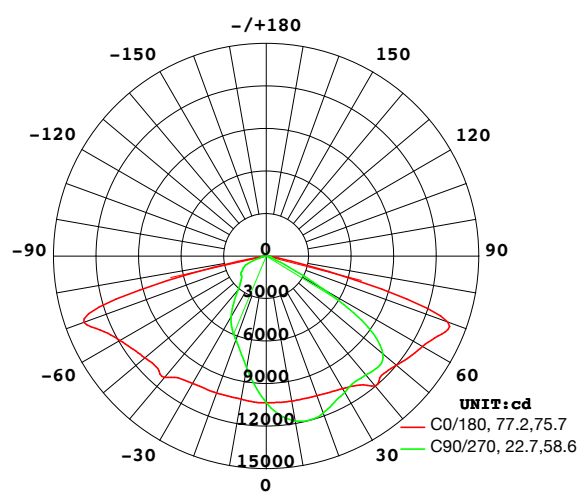
(SHOEBOX-STYLE AREA LIGHT FIXTURES)

## 300W

DATA OF LAMP		PHOTOMETRIC DATA			Nominal L/W: 127.95	
		Imax (cd)	18,382	*S / MH (C0/180)	1.63	
NOMINAL POWER (W)	300	****LOR (%)	100.0	*S / MH (C90/270)	0.74	
RATED VOLTAGE (V)	120	TOTAL FLUX (lm)	39,390	η UP, DN (C0-180)	0.1, 67.3	
NOMINAL FLUX (lm)	39,390.4	CIE CLASS	DIRECT	η UP, DN (C180-360)	0.1, 32.5	
LAMPS INSIDE	1	η up (%)	0.2	**CIBSE SHR NOM	1.25	
TEST VOLTAGE (V)	120	η down (%)	99.8	***CIBSE SHR MAX	1.35	

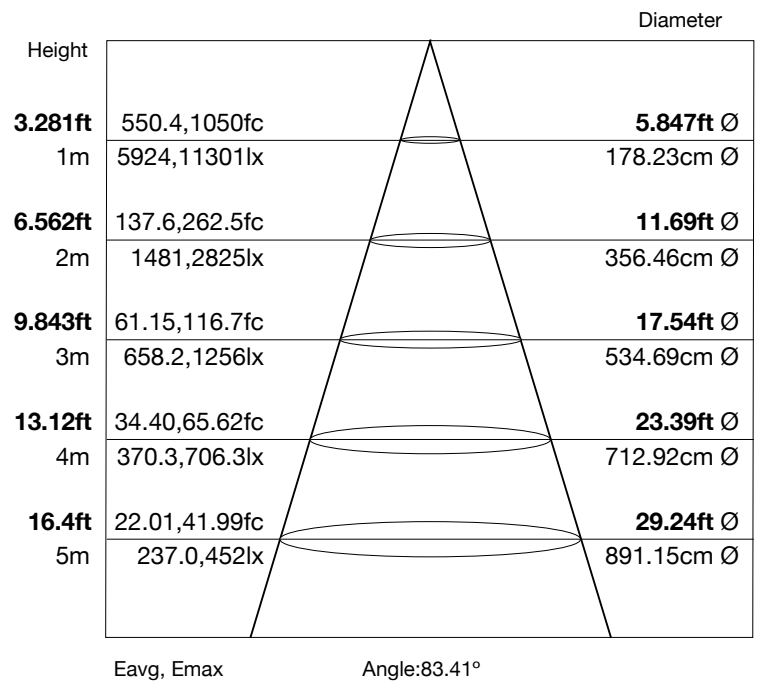
- \* Spacing Mounting Height Ratio (S/MH)  
i.e. if fixtures are 10ft high spacing would be optimally 16.3ft apart (180°)  
i.e. if fixtures are 10ft high spacing would be optimally 7.4ft apart (90/270°)
- \*\* Spacing Height Ratio Nominal
- \*\*\* Spacing Height Ratio Maximum
- \*\*\*\* Light Output Ratio

LUMINOUS INTENSITY DISTRIBUTION DIAGRAM



AVERAGE BEAM ANGLE(50%):117.1 DEG

Flux out: 15,089 lm



Note: The Curves indicate the illuminated area and the average illumination when the luminaire is at different distance.



# MARQUEE X

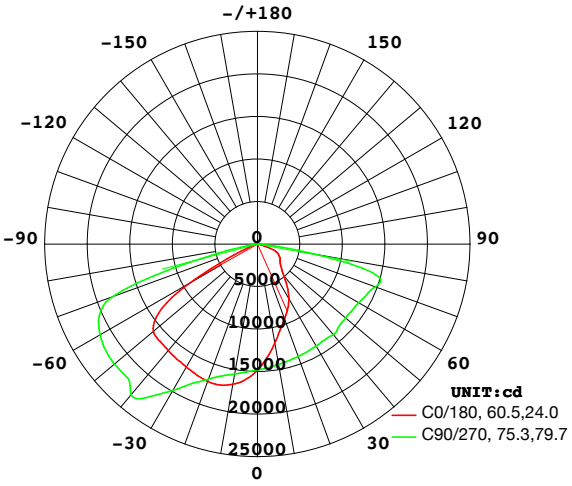
(SHOEBOX-STYLE AREA LIGHT FIXTURES)

## 480W

DATA OF LAMP		PHOTOMETRIC DATA		Nominal L/W: 138.04	
		Imax (cd)	31,526	*S / MH (C0/180)	1.75
NOMINAL POWER (W)	480	****LOR (%)	100.0	*S / MH (C90/270)	0.84
RATED VOLTAGE (V)	277	TOTAL FLUX (lm)	63,921	η UP, DN (C0-180)	0.1, 66.7
NOMINAL FLUX (lm)	63,921.1	CIE CLASS	DIRECT	η UP, DN (C180-360)	0.1, 33.1
LAMPS INSIDE	1	η up (%)	0.2	**CIBSE SHR NOM	1.50
TEST VOLTAGE (V)	277	η down (%)	99.8	***CIBSE SHR MAX	1.55

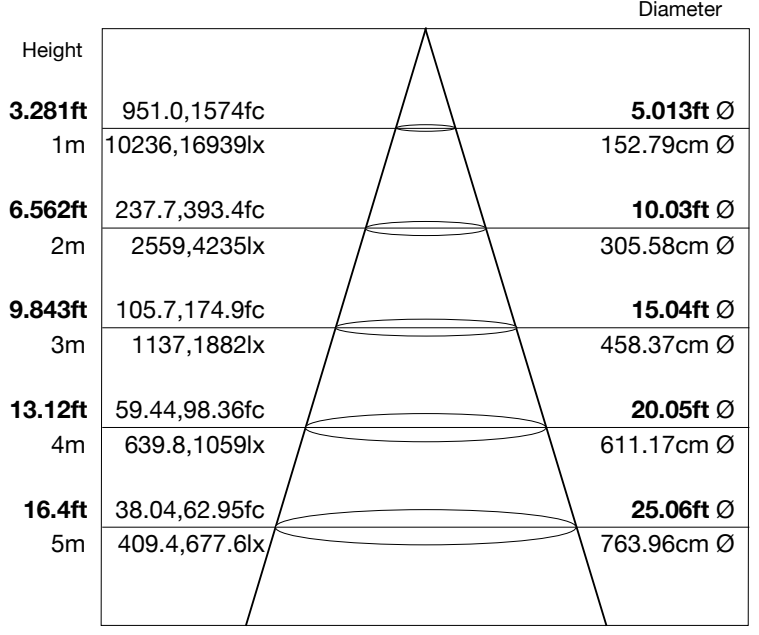
- \* Spacing Mounting Height Ratio (S/MH).  
i.e. if fixtures are 10ft high spacing would be optimally 17.5ft apart (180°)  
i.e. if fixtures are 10ft high spacing would be optimally 8.4ft apart (90/270°)
- \*\* Spacing Height Ratio Nominal
- \*\*\* Spacing Height Ratio Maximum
- \*\*\*\* Light Output Ratio

### LUMINOUS INTENSITY DISTRIBUTION DIAGRAM



AVERAGE BEAM ANGLE(50%):119.7 DEG

### Flux out: 19,629 lm



Eavg, Emax Angle:74.76°

Note: The Curves indicate the illuminated area and the average illumination when the luminaire is at different distance.



# MARQUEE X

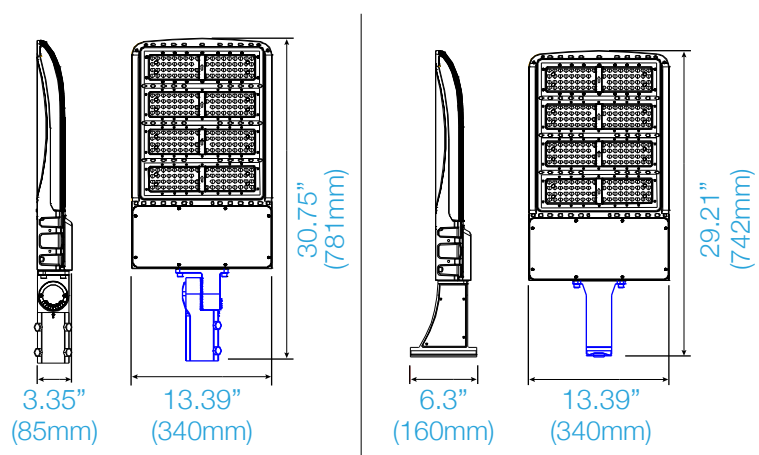
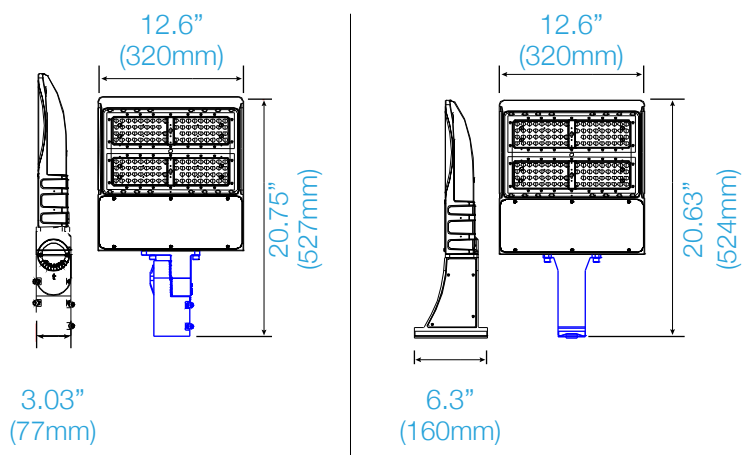
(SHOEBOX-STYLE AREA LIGHT FIXTURES)

## 150W

## 300W

LW-MQS-150W-LT3Y1-5000K

LW-MQS-300W-AT3Z-5000K

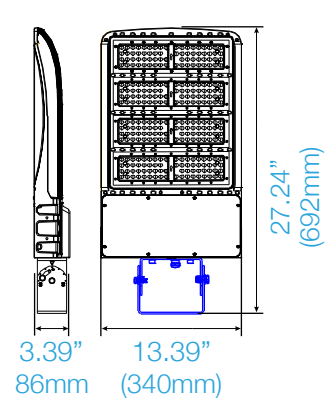
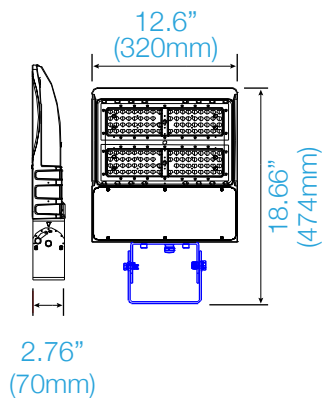


**KB** Knuckle  
(Standard Bracket)

**SB** Straight Bracket  
(Add SB)

**KB** Knuckle  
(Standard Bracket)

**SB** Straight Bracket  
(Add SB)



**AB** Angle Bracket  
(Add AB)

**AB** Angle Bracket  
(Add AB)

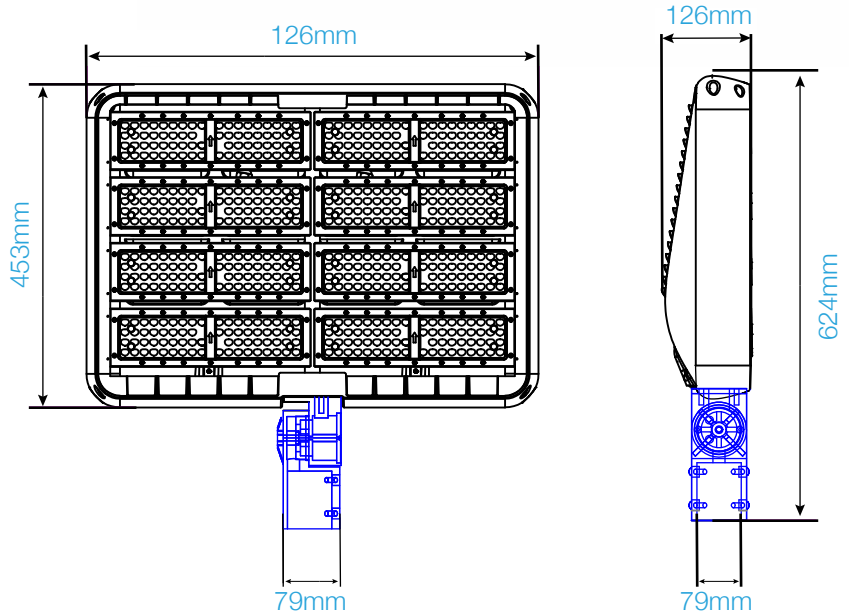


# MARQUEE X

(SHOEBOX-STYLE AREA LIGHT FIXTURES)

**480W**

LW-MQS-480W-VT3Y-5000K



**KB** Knuckle Standard Bracket (shown)



**KB** Knuckle Standard Bracket



**SB** Straight Bracket (Add SB)



**AB** Angle Bracket (Add AB)





# MARQUEE X

(SHOEBOX-STYLE AREA LIGHT FIXTURES)

480W

LW-MQS-480W-VT3Y-5000K



### Product Features and Benefits:

- 3 mounting brackets for greater functionality & adaptability
- UL cUL DLC certificate
- Philips Lumileds Chip, high CRI
- Mean Well IP65 driver, input voltage 120-277VAC
- No UV or IR in the beam
- Easy to install and operate
- Long lifespan ensures optimal energy savings
- Light is soft and uniform, safe to eyes
- Instant start, NO flickering, NO humming
- Green and eco-friendly—mercury FREE



# MARQUEE X

(SHOEBOX-STYLE AREA LIGHT FIXTURES)

*LedWaves Waves Of The Future*

Customer safety and satisfaction is paramount at LED Waves.

Please do not hesitate to contact us

TOLL-FREE at  
**1-800- 986-0169**

for free technical support, Consultations & Free Professional lighting plans

LED Waves is a Service Disabled Veteran Owned Small Business.

