

Imperator LED High Bay



Features

- Pure aluminum heat sink
- Nichia 757G LED chips
- Meanwell LED Driver
- 5 years warranty

Specifications

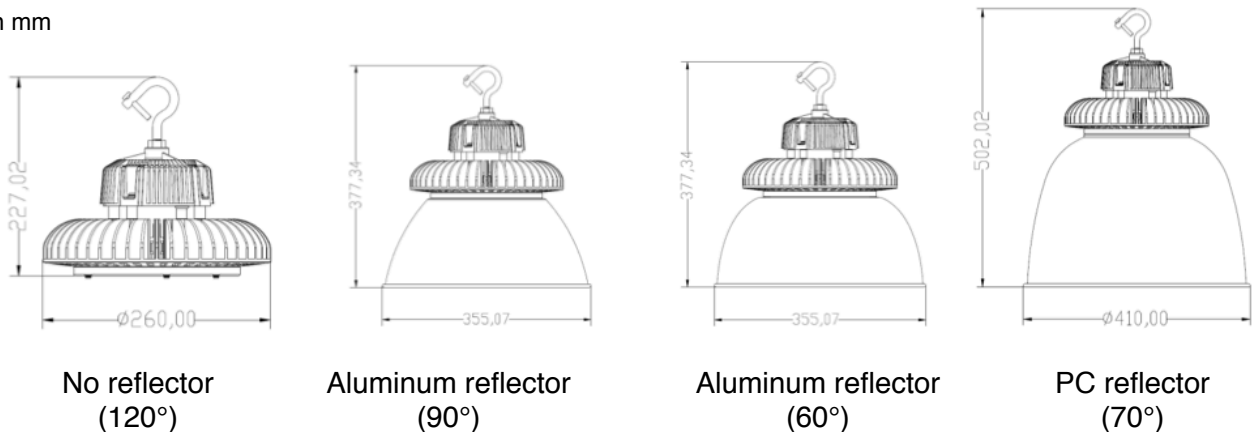
	SKU*	Light Output	Weight
100 Watt	LW-IMPR-100W-112L-xxxxK	13,000lm	3.8kg
150 Watt	LW-IMPR-150W-168L-xxxxK	19,500lm	4.5kg
200 Watt	LW-IMPR-200W-224L-xxxxK	26,000lm	6.3kg
240 Watt	LW-IMPR-240W-280L-xxxxK	31,200lm	6.9kg

* xxxx: "4000" for 4000K, "5000" for 5000K

Input Voltage: 100 ~ 277VAC **Power Factor:** >0.95 **Beam angle:** 120°
Color temperature: 4000K, 5000K **CRI:** Ra80 **Dimming control:** 0-10V dimming **IP rating:** IP65
LM80 Lifespan: 60,000 hours **Working Temperature:** -40 ~ +50°C
Installing method: Hanging hook, adjustable bracket **Material:** Aluminum, PC
Accessory: Reflector, dust-proof shield
Notes: DALI dimming, occupancy sensor and daylight sensor options available

Dimensions (100 Watt version)

in mm

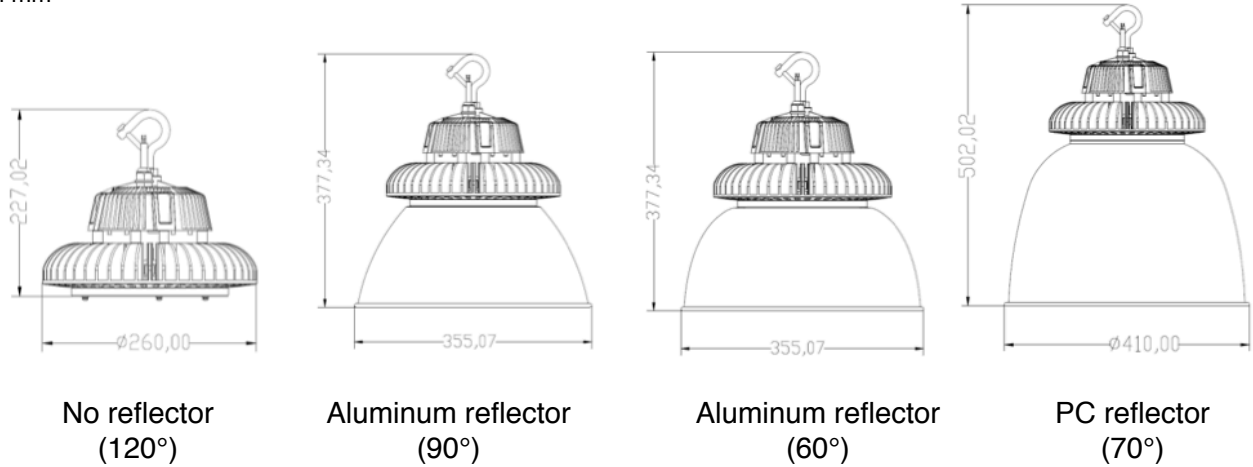


Imperator LED High Bay



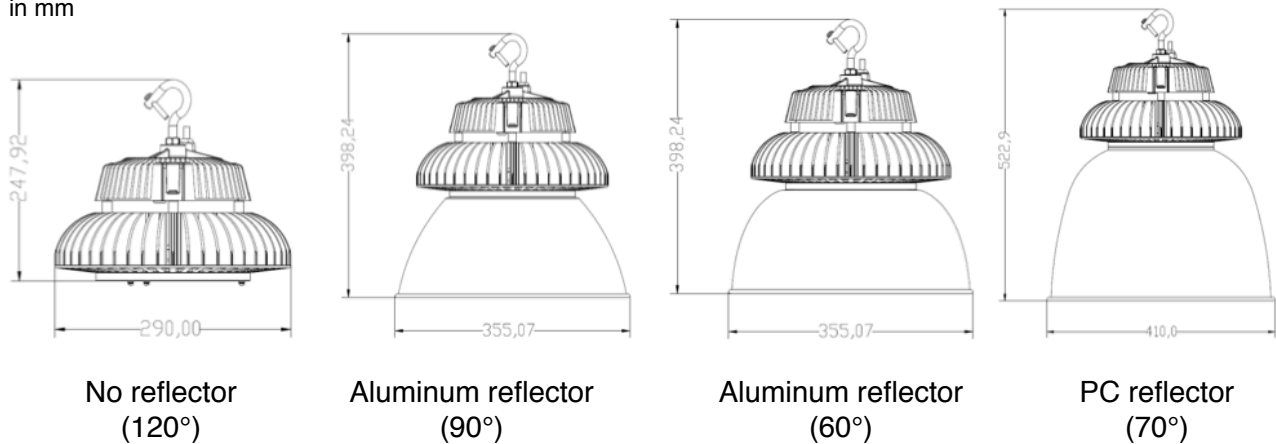
Dimensions (150 Watt version)

in mm



Dimensions (200 Watt version)

in mm



Dimensions (240 Watt version)

in mm

