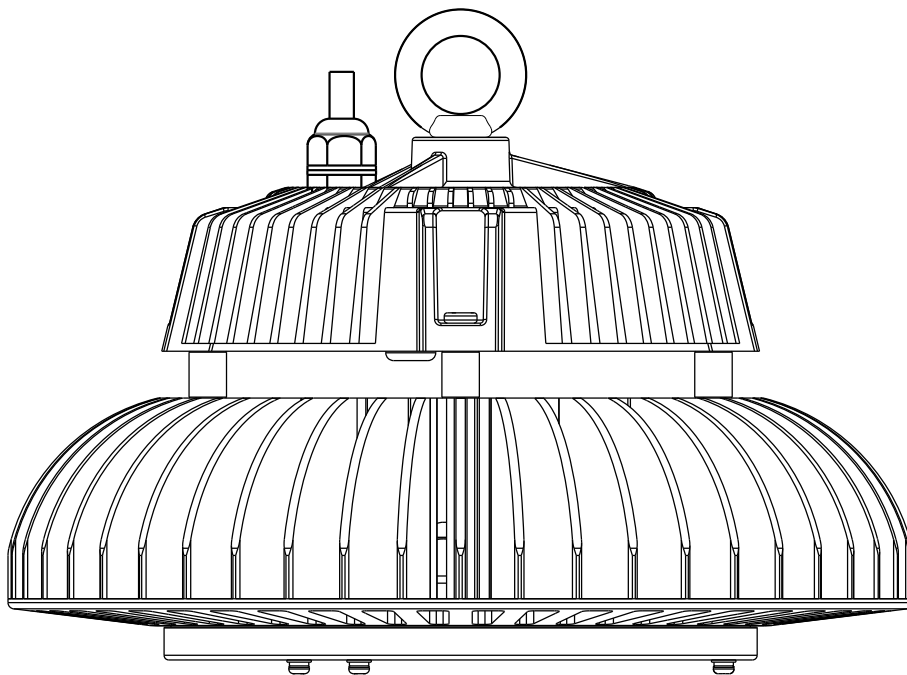


IMPERATOR

LED High Bay

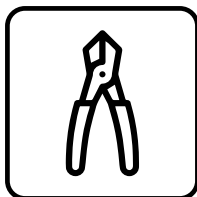
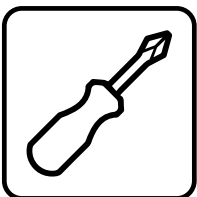
What's in the box

One (1) LED High Bay



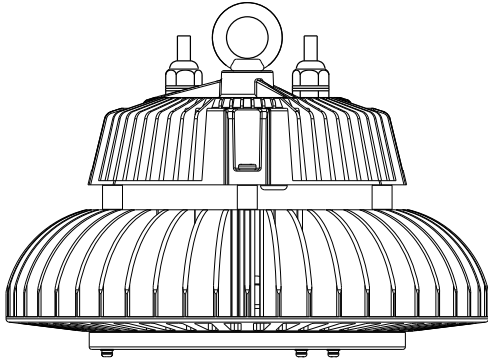
Tools Needed

This LED High Bay requires very few tools for installation. A screwdriver and a pair of wirecutters will help to install the reflector and fasten the mounting hook.

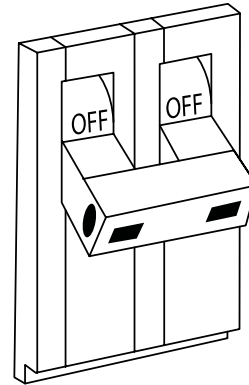


Installing LED High Bay

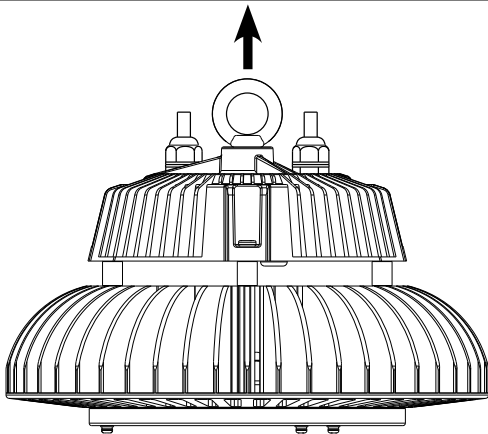
1 Carefully unpack the fixture from its packaging. Inspect product for defects due to shipping.



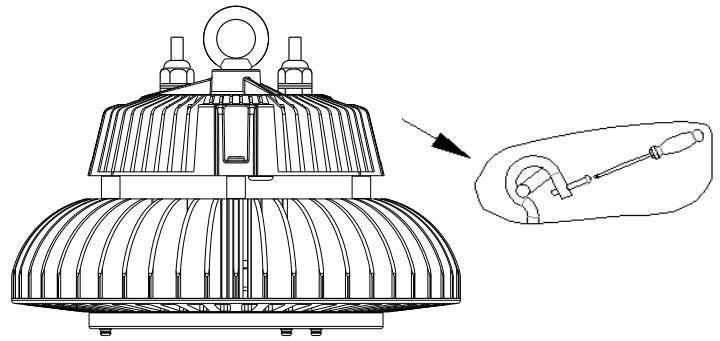
2 Turn OFF power to appropriate circuit at the breaker panel.



3 Locate stable structure to hang fixture.



4 Mount fixture to stable structure. Ensure fixture is within a reasonable distance of junction box for wiring. fasten screw on mounting hook to ensure safety.



5 Make all wiring connections. Cap off dimming wires if not used. LED High Bay is now installed.

DIM+ (BLUE)
 DIM+ (WHITE)
 SVT 18AWG*2C

AC/L (Brown)
 AC/N (Blue)
 FG (Green/Yellow)
 SJWT 18AWG*3C

