

↑HI-↓LoBAY

I-METM
Illumination-Made Easy

This modular design increases the heat dissipation while increasing the **energy savings by 70%**, which should **extend the maintenance service life to 60,000 hours life.**



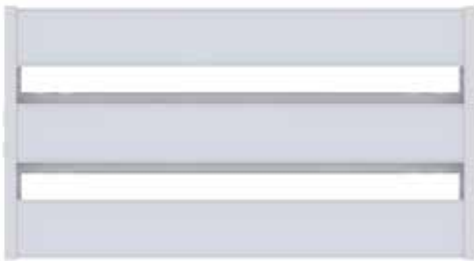
- 0 to 10 dimming
- 100V-277V
- External Emergency Power
- Motion Sensor
- Remote Dimming
- Day Light Harvesting Available

Wattage	Lumens
100W	13,750
150W	20,300
200W	28,380
300W	41,910

100W

(2x2)

13,750 LUMENS
140 Lumens/W



Part Number	LWHB-2F-100-AW-50K-D02
Wattage	100W
Lumens	13,750
Chip	SMD 2835
Power Factor	> 0.9
Color Temperature	3,000* / 3,500* / 4,000* / 5,000K
CRI	Ra 80
Beam Angle	120°
Input Voltage	100-277VAC*
IP Rating	IP65
Lifespan	40,000 hours at 50°C ambient temperature
Weight (lb)	8.36
Working Temperature	-40° to 50°C
Installation Method	Wire or cable
Material	Aluminium
Included	0 to 10 dimming
Accessories Available	<ul style="list-style-type: none"> External Emergency Power Motion Sensor-Microwave Remote Dimming Day light Harvesting Available Available with occupancy sensor & daylight sensor

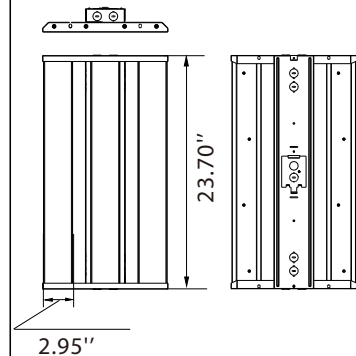
* CCT is reference to 5,000K, for other CCT's please refer to factory.
** 277V-480V available on request.

**Safety Wire Guard
(available)**



LWHB-WG1

100W (3 module)



150W

(2x2)

20,300 LUMENS

140 Lumens/W



Part Number	LWHB-2F-150-AW-50K-D02
Wattage	150W
Lumens	20,300
Chip	SMD 2835
Power Factor	> 0.9
Color Temperature	3,000* / 3,500* / 4,000* / 5,000K
CRI	Ra 80
Beam Angle	120°
Input Voltage	100-277VAC*
IP Rating	IP65
Lifespan	40,000 hours at 50°C ambient temperature
Weight (lb)	12.10
Working Temperature	-40° to 50°C
Installation Method	Wire or cable
Material	Aluminium
Included	0 to 10 dimming
Accessories Available	<ul style="list-style-type: none"> External Emergency Power Motion Sensor-Microwave Remote Dimming Day light Harvesting Available Available with occupancy sensor & daylight sensor

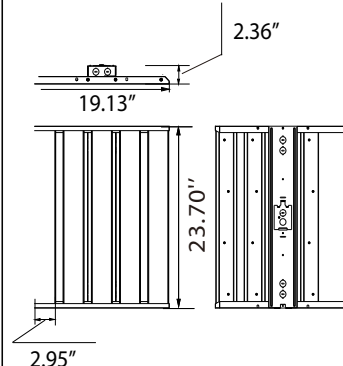
* CCT is reference to 5,000K, for other CCT's please refer to factory.
** 277V-480V available on request.

**Safety Wire Guard
(available)**



LWHB-WG2

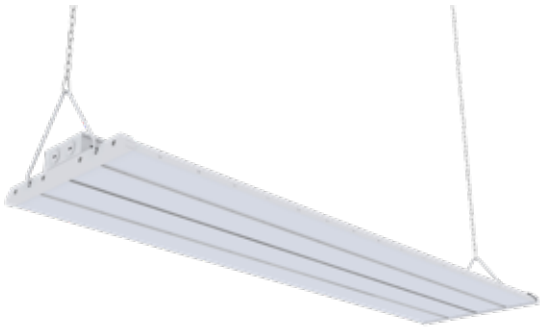
150W (5 module)



200W

(2x4)

28,380 LUMENS
140 Lumens/W



Part Number	LWHB-4F-200-AW-50K-D02
Wattage	200W
Lumens	28,380
Chip	SMD 2835
Power Factor	> 0.9
Color Temperature	3,000* / 3,500* / 4,000* / 5,000K
CRI	Ra 80
Beam Angle	120°
Input Voltage	100-277VAC*
IP Rating	IP65
Lifespan	40,000 hours at 50°C ambient temperature
Weight (lb)	15.62
Working Temperature	-40° to 50°C
Installation Method	Wire or cable
Material	Aluminium
Included	0 to 10 dimming
Accessories Available	
	External Emergency Power
	Motion Sensor-Microwave
	Remote Dimming
	Day light Harvesting Available
	Available with occupancy sensor & daylight sensor

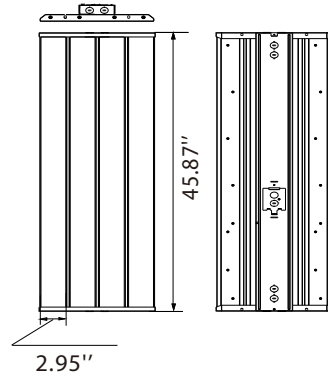
* CCT is reference to 5,000K, for other CCT's please refer to factory.
** 277V-480V available on request.

**Safety Wire Guard
(available)**



LWHB-WG1

200W (4 module)



300W

(2x4)

41,910 LUMENS
140 Lumens/W



Part Number	LWHB-4F-300-AW-50K-D02
Wattage	300W
Lumens	41,910
Chip	SMD 2835
Power Factor	> 0.9
Color Temperature	3,000* / 3,500* / 4,000* / 5,000K
CRI	Ra 80
Beam Angle	120°
Input Voltage	100-277VAC*
IP Rating	IP65
Lifespan	40,000 hours at 50°C ambient temperature
Weight (lb)	20.02
Working Temperature	-40° to 50°C
Installation Method	Wire or cable
Material	Aluminium
Included	0 to 10 dimming
Accessories Available	
	External Emergency Power
	Motion Sensor-Microwave
	Remote Dimming
	Day light Harvesting Available
	Available with occupancy sensor & daylight sensor

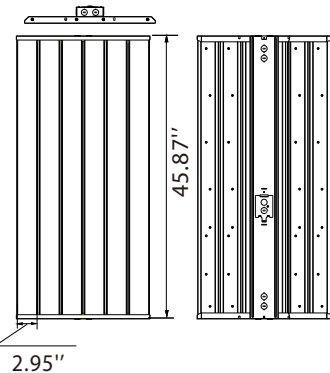
* CCT is reference to 5,000K, for other CCT's please refer to factory.
** 277V-480V available on request.

**Safety Wire Guard
(available)**



LWHB-WG2

300W (6 module)



SPECIFICATIONS



Wattage	100W	150W	200W	300W
Lumens	13,750	20,300	28,380	41,910
Weight (lb)	8.36	12.10	15.62	20.02
Chip	SMD 2835			
Input Voltage	100-277VAC			
Power Factor	> 0.9			
Color Temperature	3,000* / 3,500* / 4,000* / 5,000K			
CRI	Ra 80			
Beam Angle	120°			
Dimming	0-10V dimming			
IP Rating	IP65			
Lifespan	40,000 hours at 50°C ambient temperature			
Working Temperature	-40° to 50°C			
Material	Aluminium			
Accessories**				
	External Emergency Power			
	Motion Sensor-Microwave			
	Remote Dimming			
	Day light Harvesting Available			
	Available with occupancy sensor & daylight			

* CCT is reference to 5,000K, for other CCT's please refer to factory.

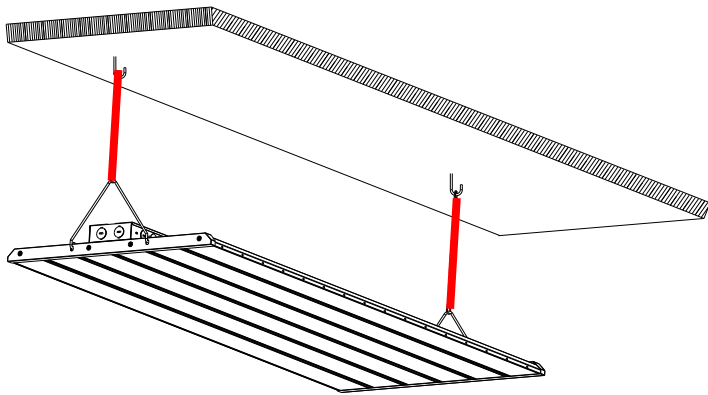
** Please consult factory for individual requirements



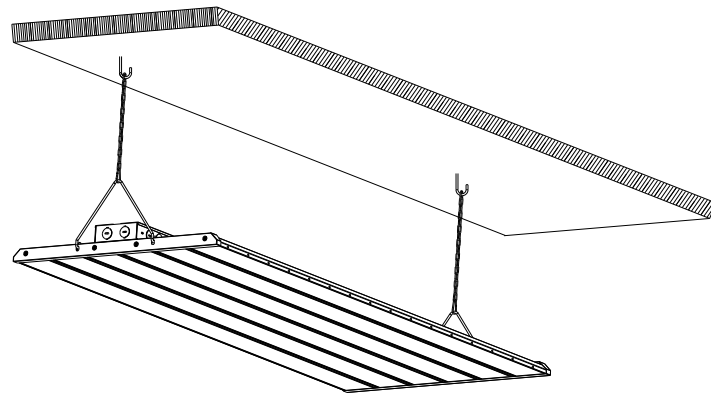
HANGING ACCESSORIES (OPTIONS)



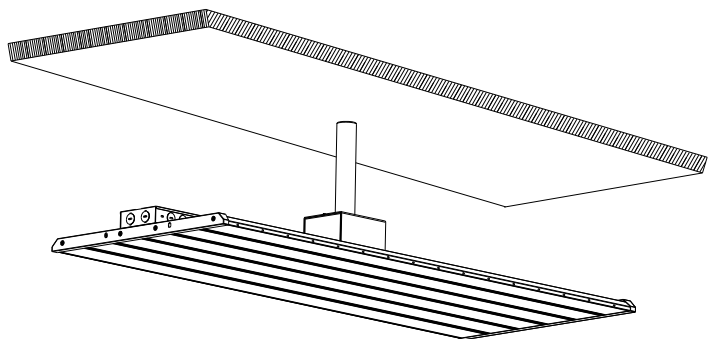
WIRE HANGING ACCESSORY LWHB-WIRE



CHAIN HANGING ACCESSORY LWHB-CHAIN



POLE INSTALLATION LWHB-PIPE



INCLUDED IN (ALL FIXTURES)





LedWaves *Waves Of The Future*

Customer safety and satisfaction is paramount at LED Waves.

Please do not hesitate to contact us

TOLL-FREE at
1-800- 986-0169

Professional grade technical support
and Consultations

LED Waves is a Service Disabled Veteran Owned Small Business.

