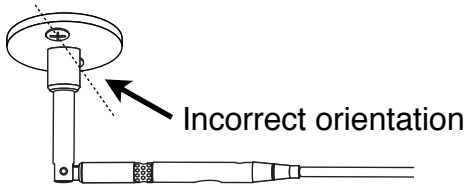


Deluxe Mounting Hardware Installation Guide

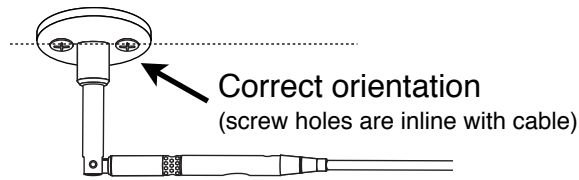
SKU: 1238-starcbl



This product is suitable for indoor dry locations only.
This product should be used with Star cable Lighting System only.
One unit comes with a pair of turnbuckles, 4 screws, 4 plastic anchors and 1 allen wrench.

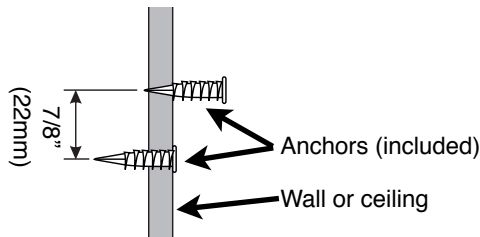


Incorrect orientation



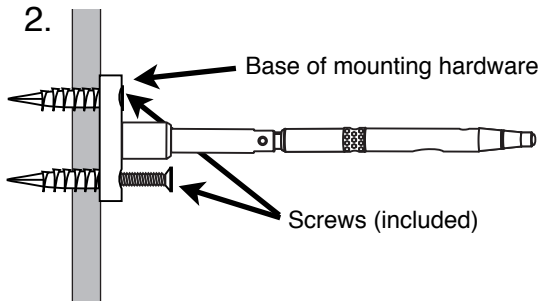
Correct orientation
(screw holes are inline with cable)

1.



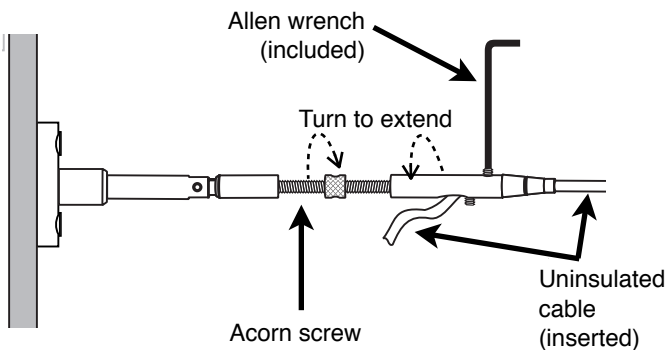
Select the right location for the anchors to be mounted.
Cable separation should be around 4.25".
Mark the location of the anchors on the wall or ceiling.
The distance between the center points of the anchors should be the cable separation.

2.



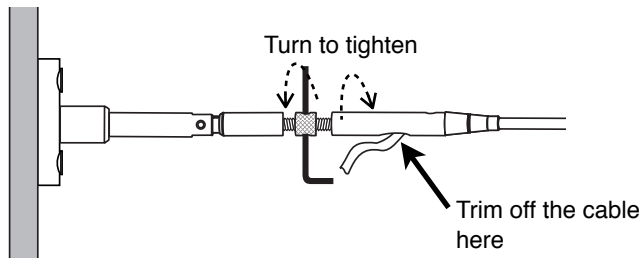
Mount the turnbuckle to the anchors.

3.



Unscrew the acorn screw on the turnbuckle body to extend.
Unscrew the M4 set screws on the end of the turnbuckle body with the included allen wrench.
Insert the uninsulated cable into the turnbuckle body and tighten the M4 set screws.

4.



Finish tightening the cable by inserting an allen wrench into acorn screw hole and rotating it counter clockwise with one hand while holding the turnbuckle body with the other hand.
Trim off the excess uninsulated cable coming out of the turnbuckles