

Corn LED



- TUNNELS
- GAS STATIONS
- FACTORY & WAREHOUSE FLOORS
- OUTSIDE & UNDERGROUND PARKING FACILITIES



Corn LED

SKUs	EQUIVALENTS						
	LED Wattage	HID	MHL	HPS	CFL	Fluorescent	LxW mm
LW-CBL1-30W-E39-5000K	30	100W*	100W*	100W*	60W*	150W*	230x93
LW-CBL1-60W-E39-5000K	60	175W*	175W*	175W*	120W*	300W*	285x93
LW-CBL1-80W-5000K	80	250W*	250W*	250W*	150W*	500W*	270x125
LW-CBL1-120W-5000K	120	400W*	400W*	400W*	200W*	600W*	310x125

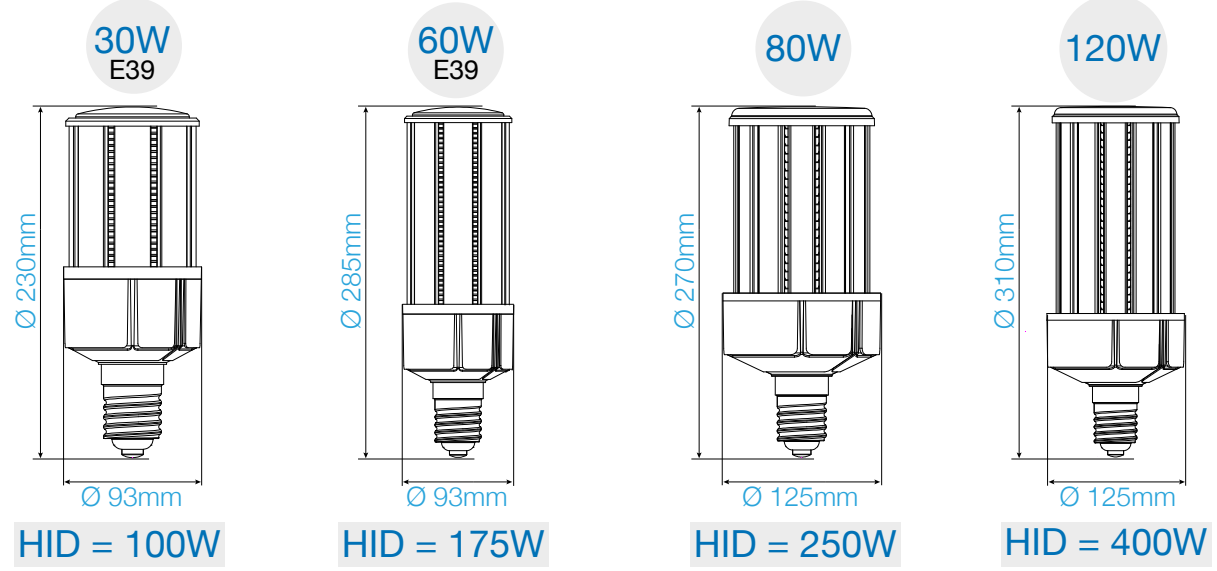
* Nominal

SKUs	Watts	Lm/W	Lumens	Kelvin	CRI	# of LED	Viewing °	Voltage	Hertz
LW-CBL1-30W-E39-5000K	30	125	3,700	5,000	>80	228	360°	100-277VAC	50/60Hz
LW-CBL1-60W-E39-5000K	60	125	7,500	5,000	>80	416	360°	100-277VAC	50/60Hz
LW-CBL1-80W-5000K	80	145	11,600	5,000	>80	560	360°	100-277VAC	50/60Hz
LW-CBL1-120W-5000K	120	145	17,400	5,000	>80	896	360°	100-277VAC	50/60Hz
ADAPTER-E26-E39	(E26 fixture to E39 bulb adapter accessory on request)								

Specifications common to all

Operating Temperature	-20°C TO 45°C
Operating Humidity	20% -70% RH
Storage Humidity	10%-75%
Warranty	5 Years
Applications	Indoor/Outdoor
Cover	Black

Materials	PC+AL (Fin)
Safety Certification	UL, cUL
Performance Certification	DLC
Power Factor	> 0.9
IP Rating	IP64
Housing Color	White + Grey



Corn LED

With an estimated 50,000 hour lifespan, LED Waves Corn LEDs are the brighter option to replace inefficient HID's on a job site.

With an IP64 waterproof rating, LED Waves Corn replacement bulbs last longer and illuminate with a 5000K Temperature that casts bright, sharper beams with improved clarity and use far less energy than traditional bulbs a visible improvement to your bottom line.

LED Waves Corn LEDs are available with a medium or mogul base in 30W, 60W, 80W & 120W and are ideal for all outside work areas including exterior job sites and interior construction site lighting.

Applications

- Exterior Job Sites
- Interior and Exterior Work Areas Vulnerable to Exposure from Inclement Weather Conditions
- Interior Construction Sites
- A Superior Waterproof Replacement Bulb for Inefficient HID's

Advantages

- LED Components Are Protected by Acrylic Plastic to Ensure Long-lasting Resistance to the Elements
- 360° Illumination Capability Illuminates More Square Footage with a Reduced Operating Cost Compared to Traditional Bulbs
- 30 watt to 120 watt Bulbs Cast 3,700 to 11,400 Lumens for Improved Visibility in All Weather Conditions
- Medium and Mogul Base for Greater Adaptability and Easy Installation
- Powerful, Long-lasting, Environmentally Friendly LED illumination Reduces Energy Usage by 70%
- Available in a Variety of Wattages with 5000K Temperatures to Suit Multiple Lighting Applications
- 5,000K Daylight White Color Output
- Promotes Customer & Employee Safety
- Strong, Focused Floodlight Increases Customer & Employee Safety & Nighttime Visibility

Looking to reduce your business costs? Energy-saving LED Waves LED LEDs and fixtures offer sharper, superior casts and will last substantially longer than traditional sources. With LEDs powerful focused light, a well-illuminated working environment ensures employee safety on job sites and other exterior and interior work areas. Our waterproof and weather-resistant LED Corn LEDs are backed by our 5-year Warranty; and are DLC Performance Certified and UL, cUL Safety Certified to assure long-lasting, high-quality operation.



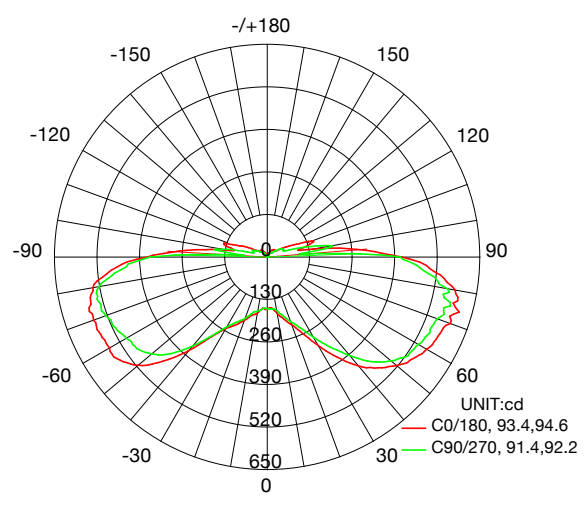
Corn LED

30W

DATA OF LAMP		PHOTOMETRIC DATA			
		Ett: 138.26 lm/W			
		Imax (cd)	440.5	*S / MH (C0/180)	2.17
NOMINAL POWER (W)	30	****LOR (%)	100	*S / MH (C90/270)	2.17
RATED VOLTAGE (V)	120	TOTAL FLUX (lm)	4249.5	η UP, DN (C0-180)	19.9,29.6
NOMINAL FLUX (lm)	4249.5	CIE CLASS	DIFFUSE	η UP, DN (C180-360)	21.2,29.3
LAMPS INSIDE	1	η up (%)	41.1	**CIBSE SHR NOM	2
TEST VOLTAGE (V)	120	η down (%)	58.9	***CIBSE SHR MAX	0

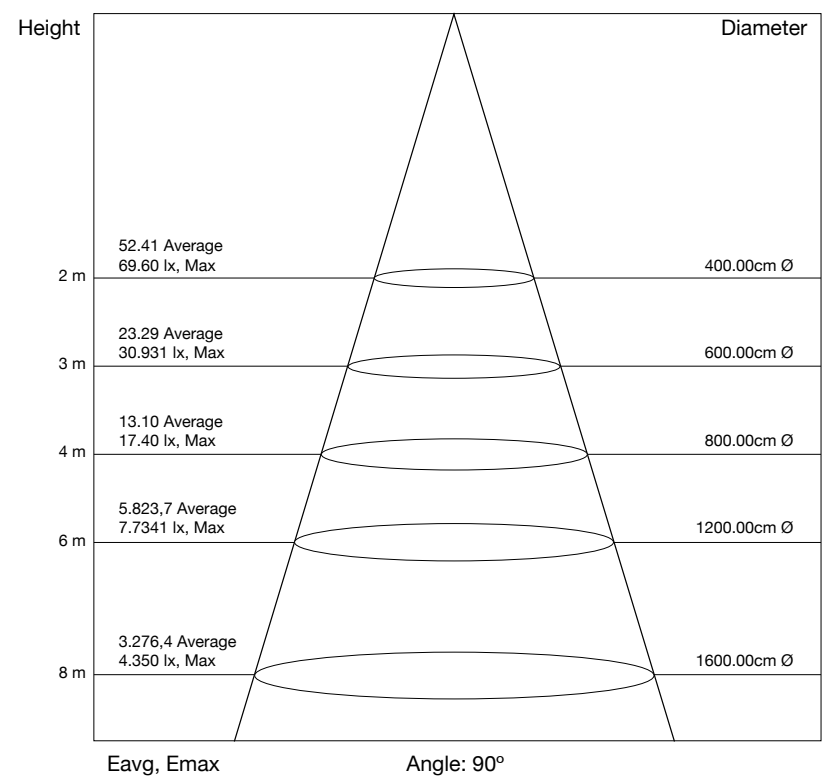
- * Spacing Mounting Height Ratio (S/MH)
i.e. for example if the fixtures are 10ft high the recommended spacing would be 21.7ft (180°)
- ** Spacing Height Ratio Nominal
i.e. for example if the fixtures are 10ft high the recommended spacing would be 21.7ft (90/270°)
- *** Spacing Height Ratio Maximum
- **** Light Output Ratio

LUMINOUS INTENSIFY DISTRIBUTION DIAGRAM



AVERAGE BEAM ANGLE(50%):185.8 DEG

Flux out: 658.6 lm



The Curves indicate the illuminated area and the average of illumination for the luminaire at different distances.

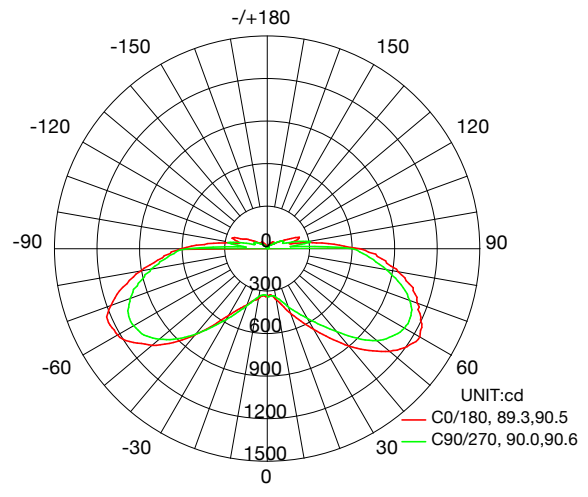


Corn LED 60W

DATA OF LAMP		PHOTOMETRIC DATA			Ett: 138.33 lm/W	
		Imax (cd)	857.5	*S / MH (C0/180)	2.99	
NOMINAL POWER (W)	60	****LOR (%)	100	*S / MH (C90/270)	3.01	
RATED VOLTAGE (V)	120	TOTAL FLUX (lm)	8115.5	η UP, DN (C0-180)	22.2,27.7	
NOMINAL FLUX (lm)	8115.53	CIE CLASS	DIFFUSE	η UP, DN (C180-360)	23.0,27.2	
LAMPS INSIDE	1	η up (%)	45.2	**CIBSE SHR NOM	2	
TEST VOLTAGE (V)	120	η down (%)	54.8	***CIBSE SHR MAX	0	

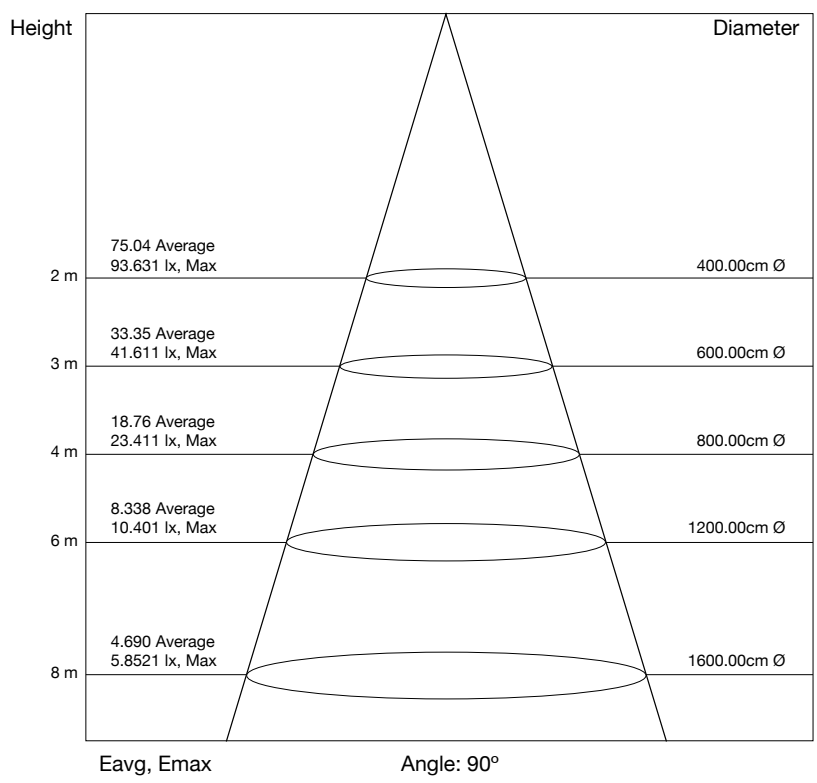
- * Spacing Mounting Height Ratio (S/MH)
i.e. for example if the fixtures are 10ft high the recommended spacing would be 29.9ft (180°)
- ** Spacing Height Ratio Nominal
i.e. for example if the fixtures are 10ft high the recommended spacing would be 30.1ft (90/270°)
- *** Spacing Height Ratio Maximum
- **** Light Output Ratio

LUMINOUS INTENSIFY DISTRIBUTION DIAGRAM



AVERAGE BEAM ANGLE(50%):180.2 DEG

Flux out: 943 lm



The Curves indicate the illuminated area and the average of illumination for the luminaire at different distances.



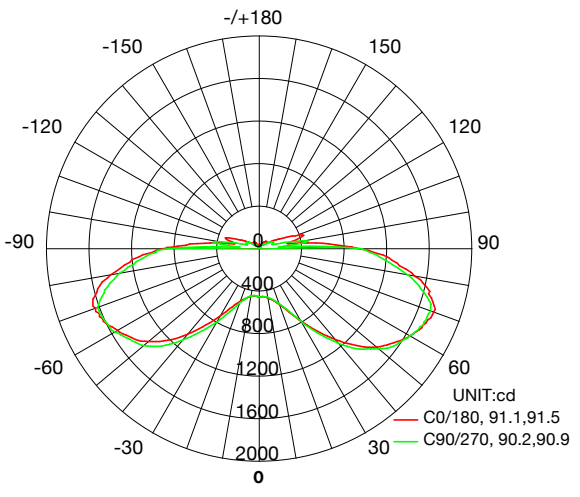
Corn LED

80W

DATA OF LAMP		PHOTOMETRIC DATA		Ett: 143.61 lm/W	
		Imax (cd)	1,292	*S / MH (C0/180)	2.91
NOMINAL POWER (W)	80	****LOR (%)	100	*S / MH (C90/270)	2.91
RATED VOLTAGE (V)	120	TOTAL FLUX (lm)	11,584	η UP, DN (C0-180)	21.4,27.8
NOMINAL FLUX (lm)	11,584.5	CIE CLASS	DIFFUSE	η UP, DN (C180-360)	22.8,28
LAMPS INSIDE	1	η up (%)	44.2	**CIBSE SHR NOM	2
TEST VOLTAGE (V)	120	η down (%)	55.8	***CIBSE SHR MAX	0

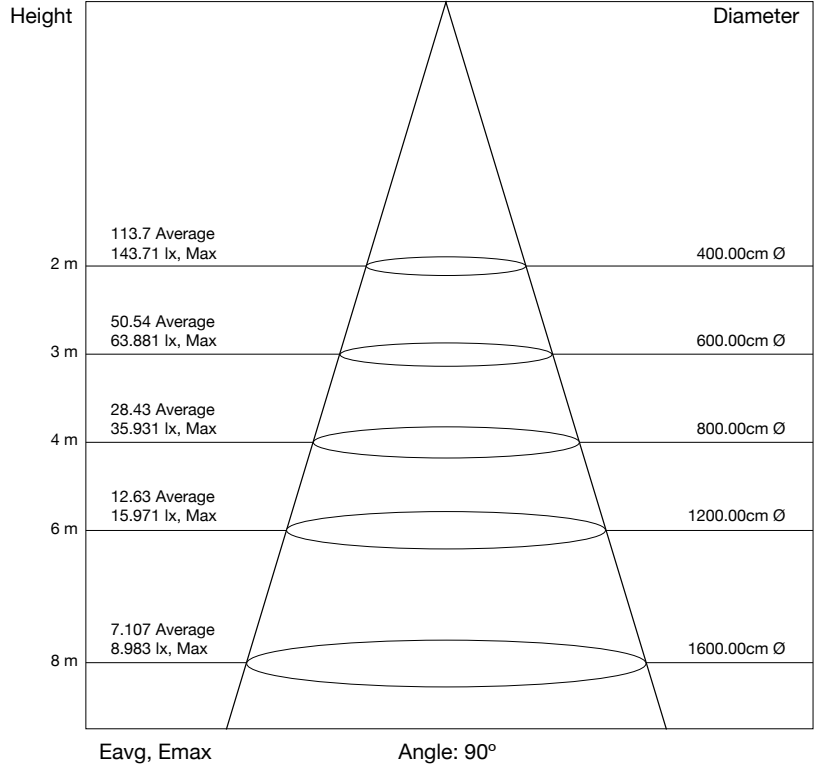
- * Spacing Mounting Height Ratio (S/MH)
i.e. for example if the fixtures are 10ft high the recommended spacing would be 29.1ft (180°)
- ** Spacing Height Ratio Nominal
i.e. for example if the fixtures are 10ft high the recommended spacing would be 29.1ft (90/270°)
- *** Spacing Height Ratio Maximum
- **** Light Output Ratio

LUMINOUS INTENSIFY DISTRIBUTION DIAGRAM



AVERAGE BEAM ANGLE(50%):181.8 DEG

Flux out: 1,429 lm



The Curves indicate the illuminated area and the average of illumination for the luminaire at different distances.



Corn LED

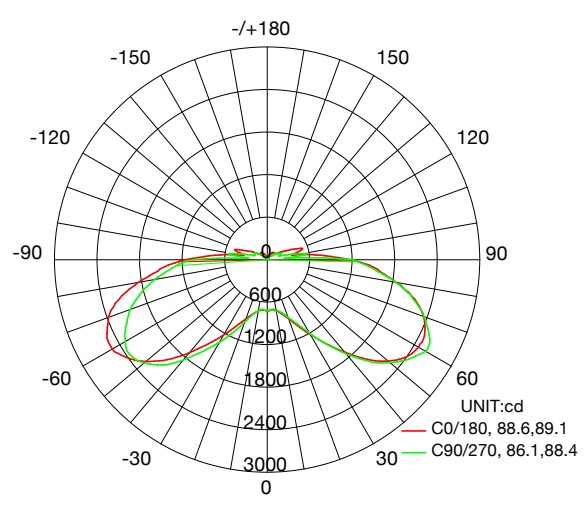
120W

DATA OF LAMP		PHOTOMETRIC DATA		Ett: 141.72 lm/W	
		Imax (cd)	1,767	*S / MH (C0/180)	3.54
NOMINAL POWER (W)	120	****LOR (%)	100	*S / MH (C90/270)	3.52
RATED VOLTAGE (V)	120	TOTAL FLUX (lm)	16,430	η UP, DN (C0-180)	22.5,27.1
NOMINAL FLUX (lm)	16,429.7	CIE CLASS	DIFFUSE	η UP, DN (C180-360)	23.5,27
LAMPS INSIDE	1	η up (%)	45.9	**CIBSE SHR NOM	2
TEST VOLTAGE (V)	120	η down (%)	54.1	***CIBSE SHR MAX	0

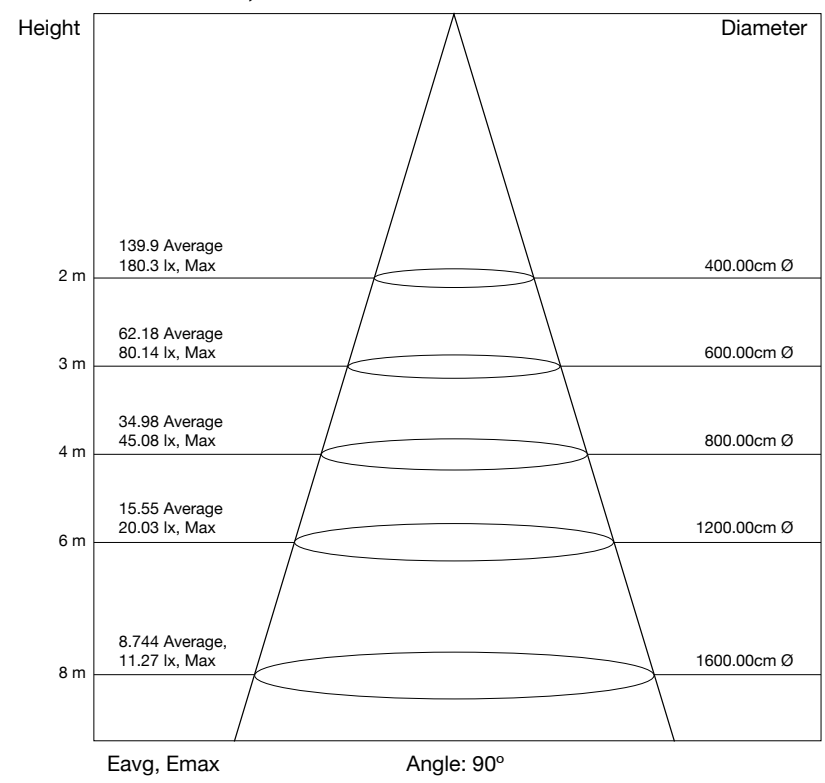
- * Spacing Mounting Height Ratio (S/MH)
i.e. for example if the fixtures are 10ft high the recommended spacing would be 35.4ft (180°)
- ** Spacing Height Ratio Nominal
i.e. for example if the fixtures are 10ft high the recommended spacing would be 35.2ft (90/270°)
- *** Spacing Height Ratio Maximum
- **** Light Output Ratio

Flux out: 1,758 lm

LUMINOUS INTENSIFY DISTRIBUTION DIAGRAM



AVERAGE BEAM ANGLE(50%):176.1 DEG



The Curves indicate the illuminated area and the average of illumination for the luminaire at different distances.



CornLED

LedWaves *Waves Of The Future*

Customer safety and satisfaction is paramount at LED Waves.

Please do not hesitate to contact us

TOLL-FREE at
1-800- 986-0169

Professional grade technical support
and Consultations

LED Waves is a Service Disabled Veteran Owned Small Business.

