

Athens 2.0 MR-16 LED Light Bulb 6-Watt (Cree XPE LEDs)



Athens 2.0 LED MR-16 bulb uses five high-power Cree XPE LEDs, designed to maximize light output and life span while minimizing power consumption (6 Watt.) They are also designed to last 50,000 hours! CE and RoHS certified.

Specifications

Power consumption	6 Watt (max.)
Comparable bulb	50 Watt MR-16 halogen bulb (12V)
LED chip	Cree XPE LEDs
Number of LEDs	5 LEDs
Beam angles	Wide-spot (approx. 13°), Narrow-flood (approx. 25°), Flood (approx. 46°), Very-wide-flood (approx. 98°)
Lamp holders	GU5.3 (EZ10 type available upon request)
Life span	50,000 hours (average) ¹
Voltage	12V DC / 12V AC ²
Housing	Aluminum
Operating temperature	-40 ~ 40°C (-40 ~ +104°F)

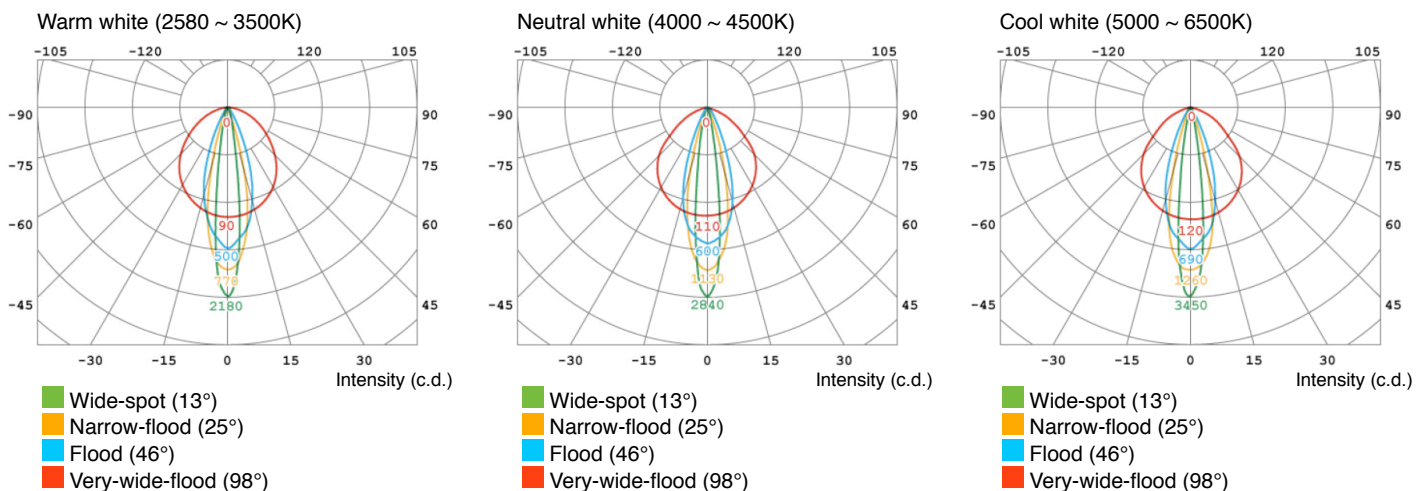
¹Used in 25°C (77°F) ambient temperature. At 80,000 hours, the LED bulb brightness is at half of the initial light output.

²Best used with 12V DC transformer. Not compatible with 12V electric low-voltage transformer with minimum wattage. Compatible with magnetic 12V AC transformer.

Part numbers & photometric data

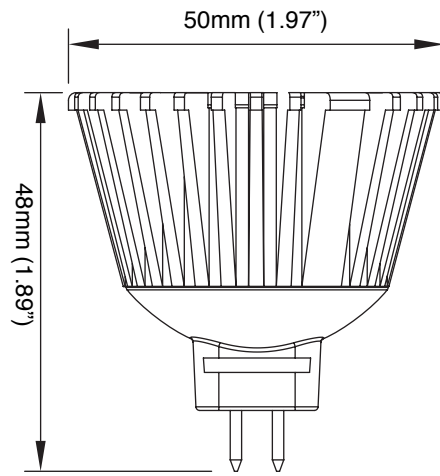
Color temp.	Lumen	Min. C.R.I.	Beam angle	SKU
Warm white (2500~3200K)	270 lm	>80	Wide-spot (13°)	LW10-2002-A6-C4B-W3K
			Narrow-flood (25°)	LW10-2002-A6-C4E-W3K
			Flood (46°)	LW10-2002-A6-C4F-W3K
			Very-wide-flood (98°)	LW10-2002-A6-C4G-W3K
Neutral white (4000~4500K)	292 lm	>80	Wide-spot (13°)	LW10-2002-A6-C4B-W4K
			Narrow-flood (25°)	LW10-2002-A6-C4E-W4K
			Flood (46°)	LW10-2002-A6-C4F-W4K
			Very-wide-flood (98°)	LW10-2002-A6-C4G-W4K
Cool white (5000~6500K)	321 lm	>70	Wide-spot (13°)	LW10-2002-A6-C4B-W5K
			Narrow-flood (25°)	LW10-2002-A6-C4E-W5K
			Flood (46°)	LW10-2002-A6-C4F-W5K
			Very-wide-flood (98°)	LW10-2002-A6-C4G-W5K

Polar diagrams

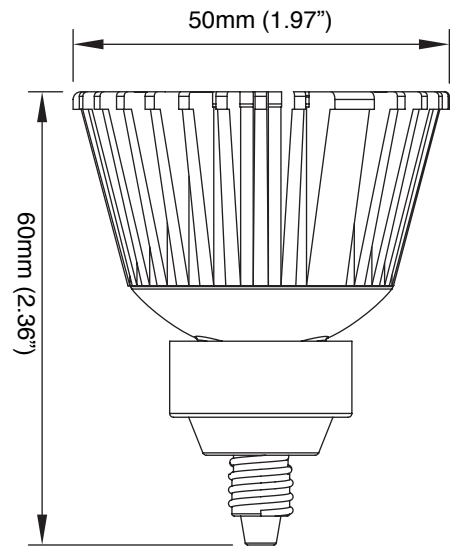


Athens 2.0 MR-16 LED Light Bulb 6-Watt (Cree XPE LEDs)

Dimensions



GU5.3 lamp base



EZ10 lamp base