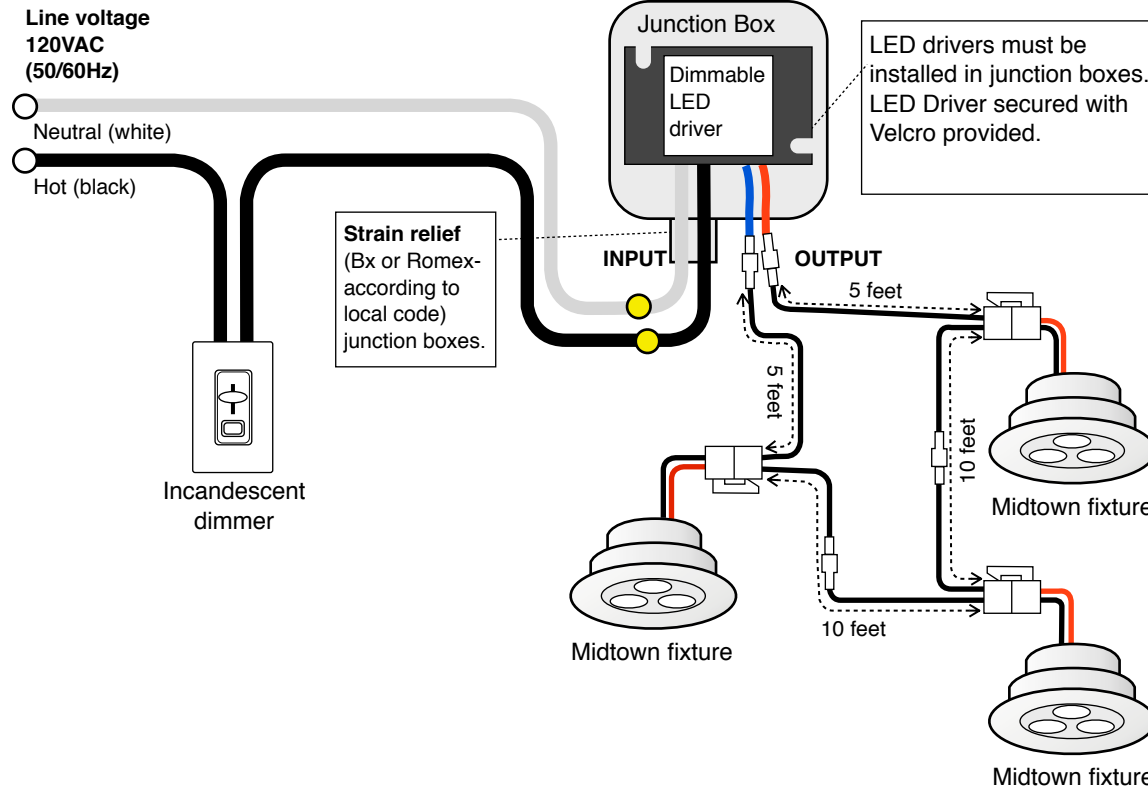


Midtown 3-LIGHT KIT



Wiring diagram for Midtown LED Recessed light units with Dimmable LED driver



SIMPLE & EASY

1. CONNECT DRIVER(120 V)
2. CONNECT QUICK CONNECT TO EACH FIXTURE
3. SNAP THE FIXTURE (WITH THE SPRING CLIP) INTO THE DRY WALL

ALL fixtures must be connected before use, otherwise the fixtures won't turn on!

it is suggested to secure the LED driver to an accessible area in the attic where it can be accessed easily

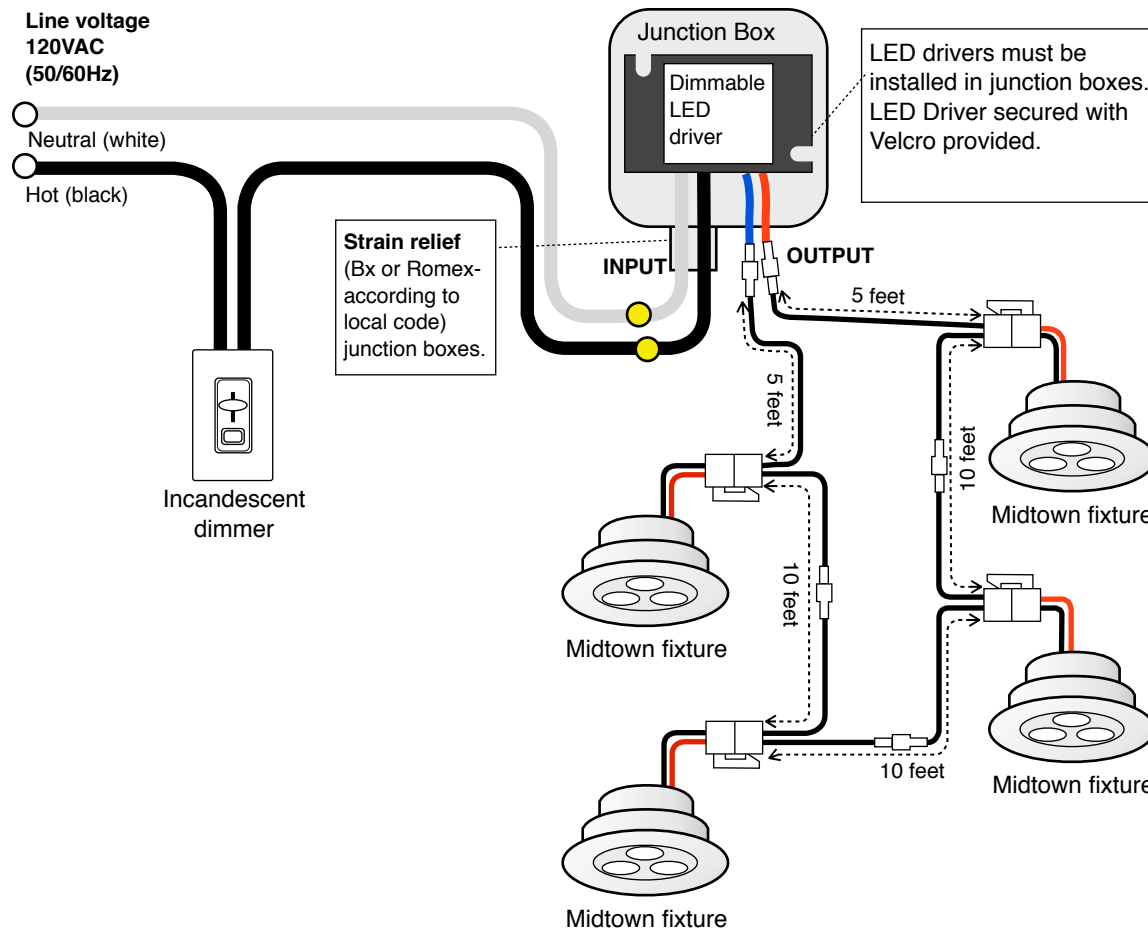
Warning

- To avoid electric shock, disconnect the power to your ceiling fixture prior to installation.
- Keep this item away from flammable materials.
- Do not seal LED fixture in an air-tight enclosure.
- This unit is suited only for DRY or DAMP environments with temperatures between -25°C and +40°C.
- Do not install this unit in an airtight enclosure; air flow is required for heat dissipation.
- Allow at least 3" (76mm) of clearance (free of insulation and other flammables) above/around the LED driver and other electronics.

Midtown 4-LIGHT KIT



Wiring diagram for Midtown LED Recessed light units with Dimmable LED driver



SIMPLE & EASY

1. CONNECT LED DRIVER (120V)
2. CONNECT QUICK CONNECT TO EACH FIXTURE
3. SNAP THE FIXTURE WITH THE SPRING CLIP (INTO THE DRY WALL)

ALL fixtures must be connected before use, otherwise the fixtures won't turn on!

It is suggested to secure the LED driver to an accessible area in the attic where it can be accessed easily

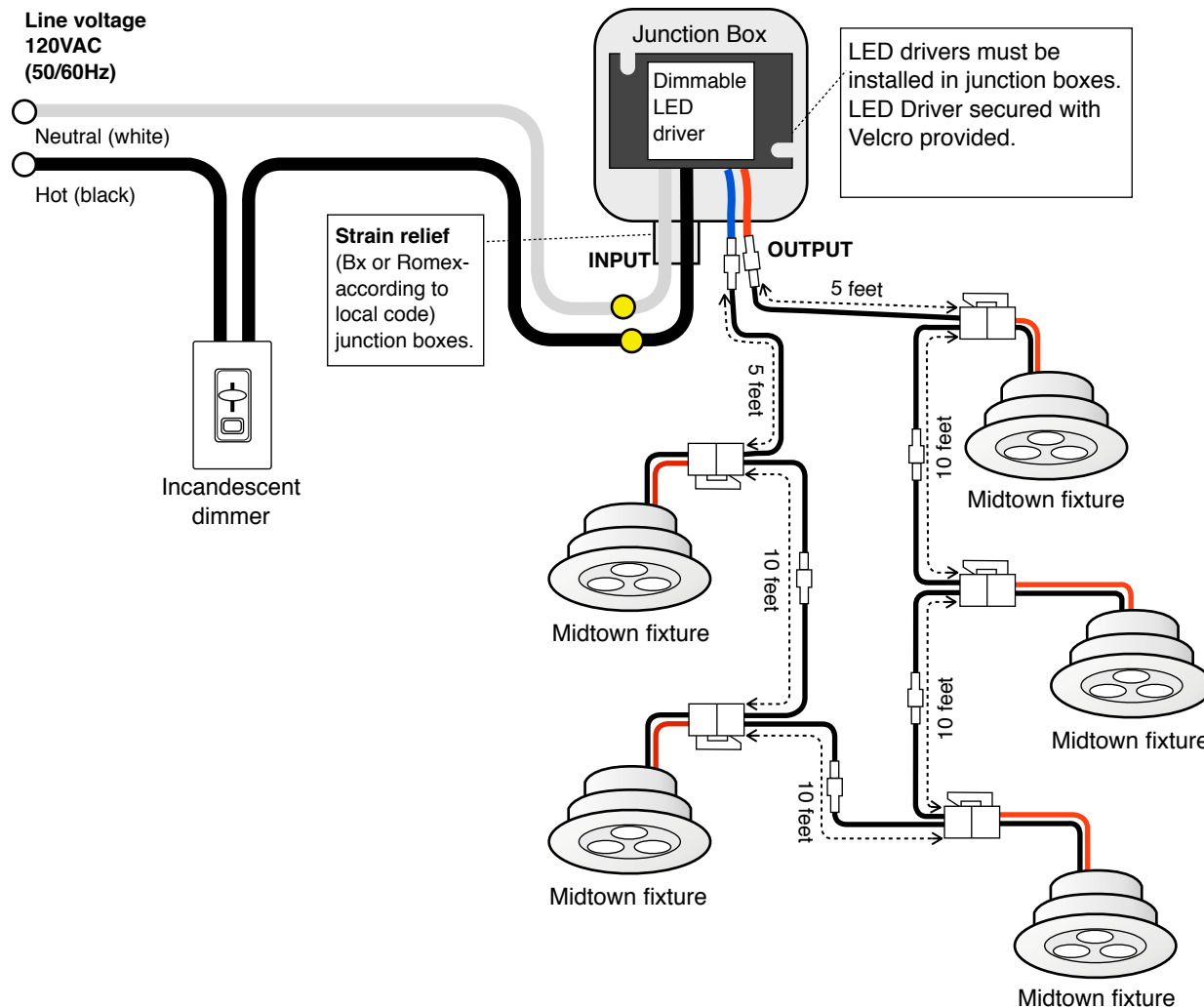
Warning

- To avoid electric shock, disconnect the power to your ceiling fixture prior to installation.
- Keep this item away from flammable materials.
- Do not seal LED fixture in an air-tight enclosure.
- This unit is suited only for DRY or DAMP environments with temperatures between -25°C and +40°C.
- Do not install this unit in an airtight enclosure; air flow is required for heat dissipation.
- Allow at least 3" (76mm) of clearance (free of insulation and other flammables) above/around the LED driver and other electronics.

Midtown 5-LIGHT KIT



Wiring diagram for Midtown LED Recessed light units with Dimmable LED driver



SIMPLE & EASY

1. CONNECT LED DRIVER (120V)
2. CONNECT QUICK CONNECT TO EACH FIXTURE
3. SNAP THE FIXTURE WITH THE SPRING CLIP (INTO THE DRY WALL)

ALL fixtures must be connected before use, otherwise the fixtures won't turn on!

It is suggested to secure the LED driver to an accessible area in the attic where it can be accessed easily

Warning

- To avoid electric shock, disconnect the power to your ceiling fixture prior to installation.
- Keep this item away from flammable materials.
- Do not seal LED fixture in an air-tight enclosure.
- This unit is suited only for DRY or DAMP environments with temperatures between -25°C and $+40^{\circ}\text{C}$.
- Do not install this unit in an airtight enclosure; air flow is required for heat dissipation.
- Allow at least 3" (76mm) of clearance (free of insulation and other flammables) above/around the LED driver and other electronics.