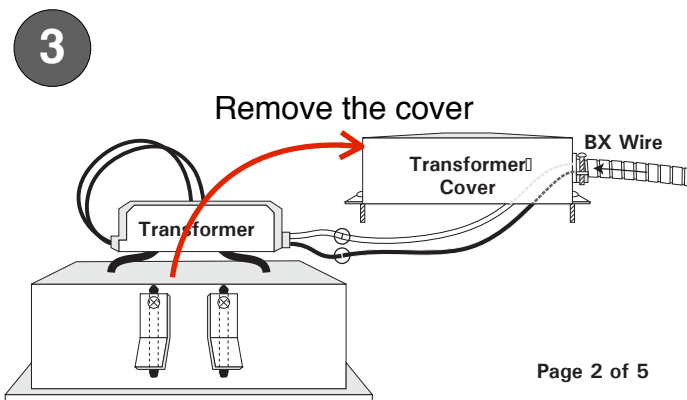
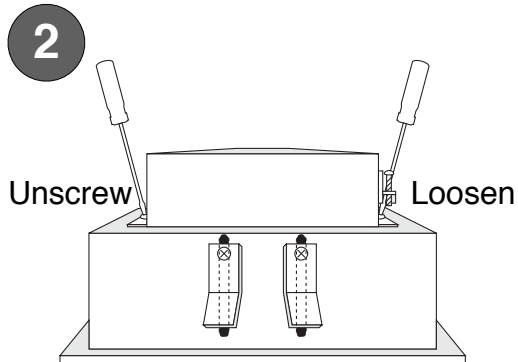
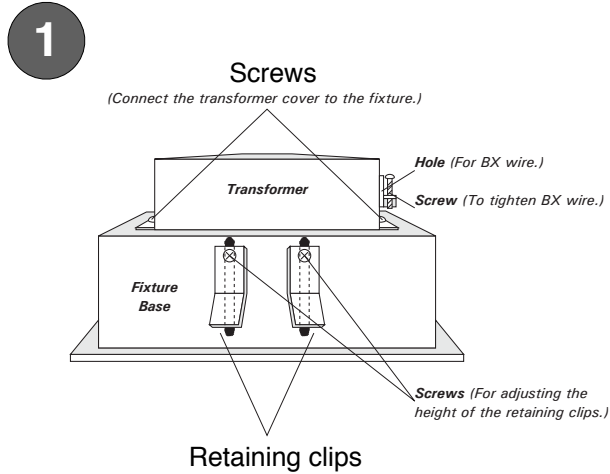
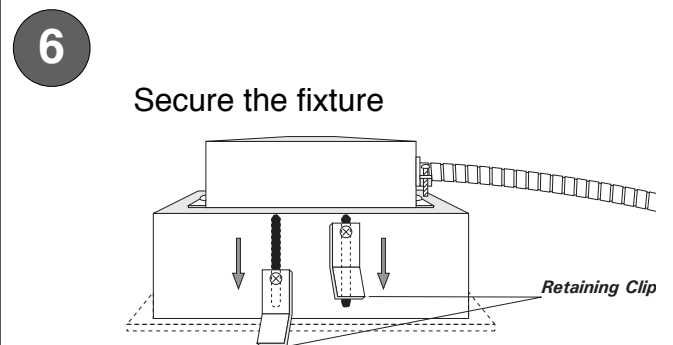
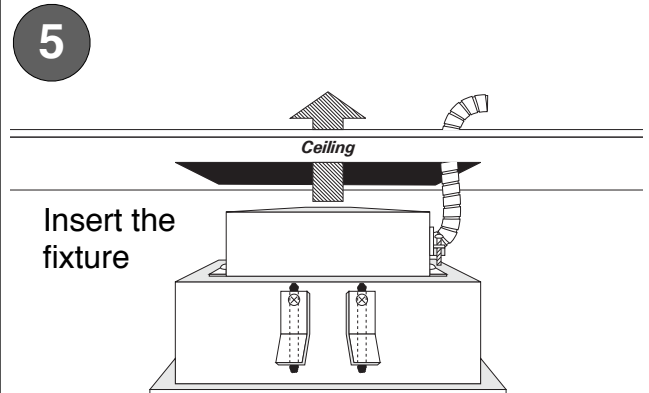
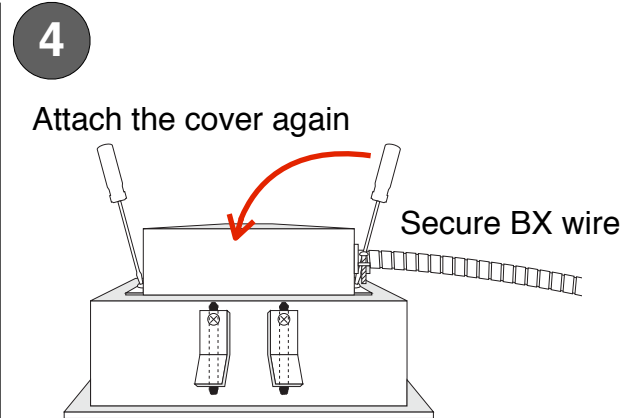


LED Studio Recessed Light unit (Gray finish) – Installation Guide

Warning: TURN OFF mains during the installation!



Page 2 of 5



Full down the retaining clips against the ceiling. Tighten using the plastic knob inside, opposite the screw head.