

# upliance.ai

*India's first AI Cooking Assistant*

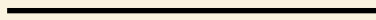
As seen on



Designed, built and made in India.



[www.upliance.ai](http://www.upliance.ai)



Crown



Jar Lid



Omni Blade



Smart Jar



Weighing Scale



Blade Lock



8" Touchscreen

# About upliance

upliance, India's first AI cooking assistant, is making home cooking easier and smarter. AI enabled so your cooking only gets better with time.

## Unlimited easy to cook recipes powered by AI

New recipes added every week

## Smart Cooking Jar

automates cutting, chopping, stirring and cooking

## AI built in, ChatGPT integrated

for recipe generation and all cooking support

## 1 year warranty and 7 years service OTA updates

3 years free recipes and premium AI features

## Built for Indian kitchens

IP54 rated water and masala resistant

## Rinse mode makes cleaning super easy

Removable blade to make it super safe.

## Safety sensors

built into the upliance to protect you and your dinner.

# Smart & Connected

Integrated with ChatGPT & powered by AI

---

## Smart Automated Cooking



Chop, Cook and Stir

---

## Small & Powerful



Cook for upto 4



## Available PAN India

Doorstep service in 10 cities and counting

---

## Instant help & support



AI powered chatbot

## Physical

Weight : 6.9kg

Capacity: 1- 4 portions

IP Rating: IP54

Dimensions: 41x26.7x30.2 cm

Power Consumption: 1100W

Packaging weight: 9.7 kg

Packaging dimension: 47x41x37cm

## Connectivity

Wi-Fi

Mobile app

## Smart Cooking

Temperature controlled

Create and save recipes

Pause/Unpause Cooking

Inbuilt guided recipes

Dynamic Portion Sizing

## Safety

Double Sided Insulated Grip

Safety Power Cut Off Switch

Removable Blade

Automatic Heat Cut Off

Safety Lid Lock

## Features

Cooking

Chopping

Stirring

Blending

Kneading

Grinding

Steaming

Weighing Scale

14 Blade Speeds

## Price

MRP: ₹23,999

# Included in the box



Blade Cover



Steamer Basket



Butterfly Whisk



Measuring Spoon



Spatula



Soy Pulao



Steamed Rice



Dry Chana

# 500+

## guided recipes



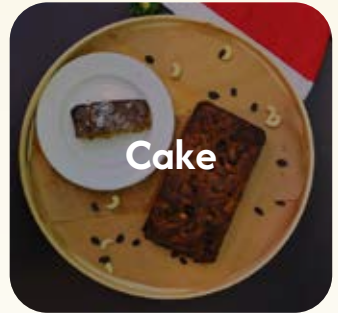
Pasta



Peanut Sundal



Kalakand



Cake



Dal Makhni



Beetroot Risotto



Coconut Chutney



## About upliance.ai

**upliance.ai**, is India's first AI enabled home appliance brand based in Bengaluru founded by IIT-Bombay alumni Mahek Mody (ex-Ather Energy) and Mohit Sharma (ex-Chaayos) .

### Investors:

- Rainmatter, by Zerodha
- Draper Associates
- Rukam Capital
- Stanford Angels & Entrepreneurs India
- Founders of Ather Energy, Unacademy...

AS SEEN ON





“

Even if you have never cooked, the upliance will guide you to cook complicated food as well. So you don't have to order from a restaurant

**Shreya**

“

Everything from breakfast to dinner, ghar ka khana to fancy Italian and Chinese I confidently make at home. I've almost stopped ordering

**Hema**

“

Red sauce pasta and pesto have are absolute favourites. I use the sauce recipes and steam vegetables on top while the sauce is cooking.

**Mohit**

“

...redefine home cooking,...groundbreaking smart cooking appliance,...Unlimited Possibilities,...support for novice & experienced cooks.

**Times of India**

# upliance.ai

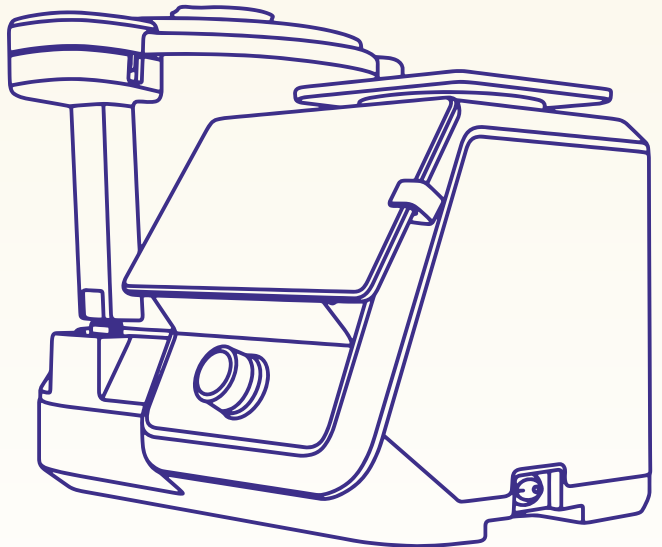
268, 13th Main, 21st Cross Rd, Sector 7,  
HSR Layout, Bengaluru- 560102

+91 8071 1764 60

hi@upliance.ai

## Order Now:

<https://upliance.ai/products/ordernow>



[www.upliance.ai](http://www.upliance.ai)