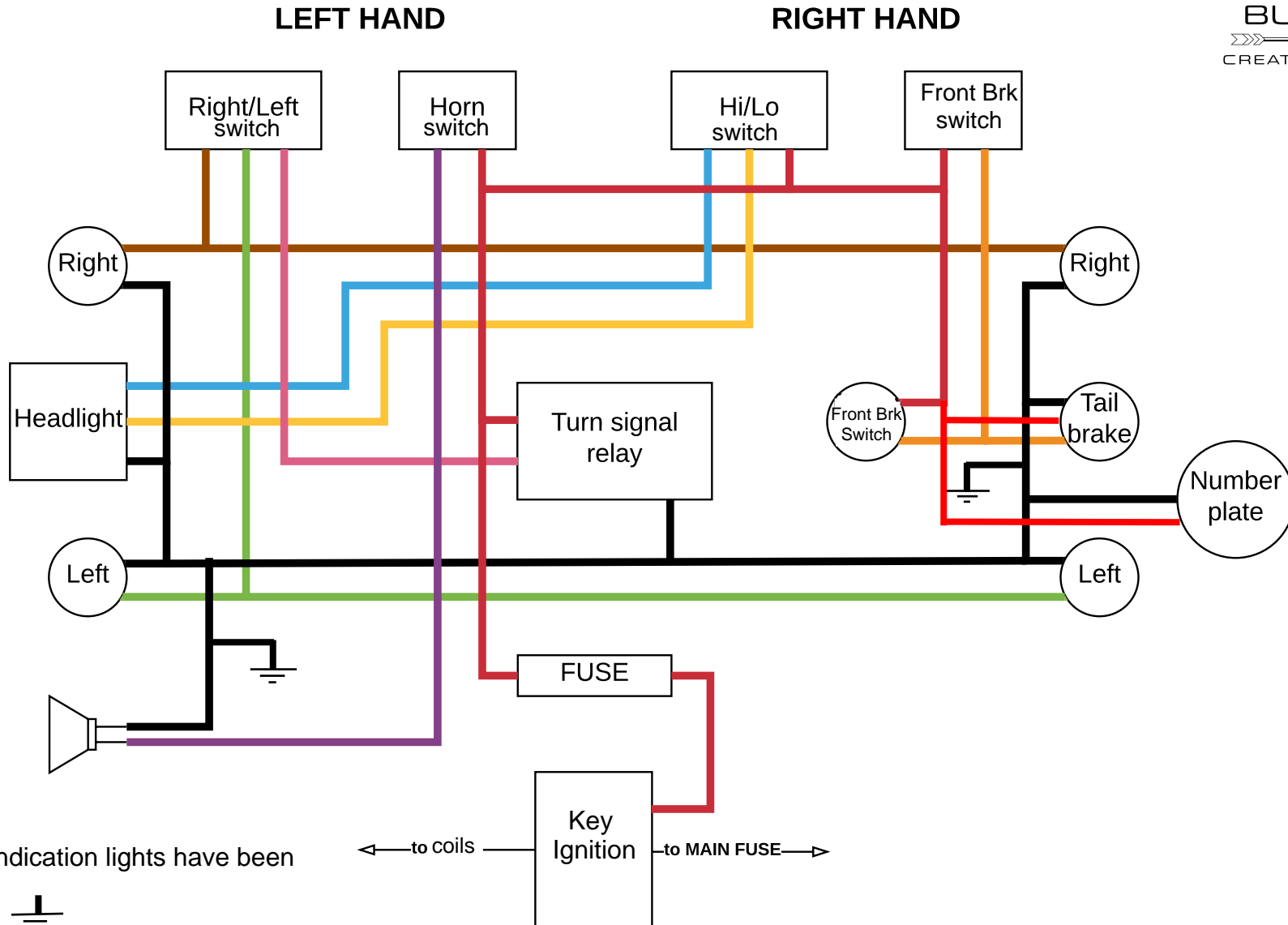


LIGHT CIRCUIT



Notes:

- Speedometer and indication lights have been omitted for simplicity.
- Frame Grounding=