

ASSEMBLY INSTRUCTIONS

Variand furniture system

variand

THANK YOU FOR CHOOSING VARIAND!

On the following pages, we will guide you step by step through the Variand assembly process and provide you with important instructions for using the furniture:

- 03 - 13** Preparation for wall rail assembly
- 14 - 24** Wall rail assembly (& disassembly)
- 25 - 32** Modular Variand shelf assembly
- 33 - 40** Usage instructions & miscellaneous



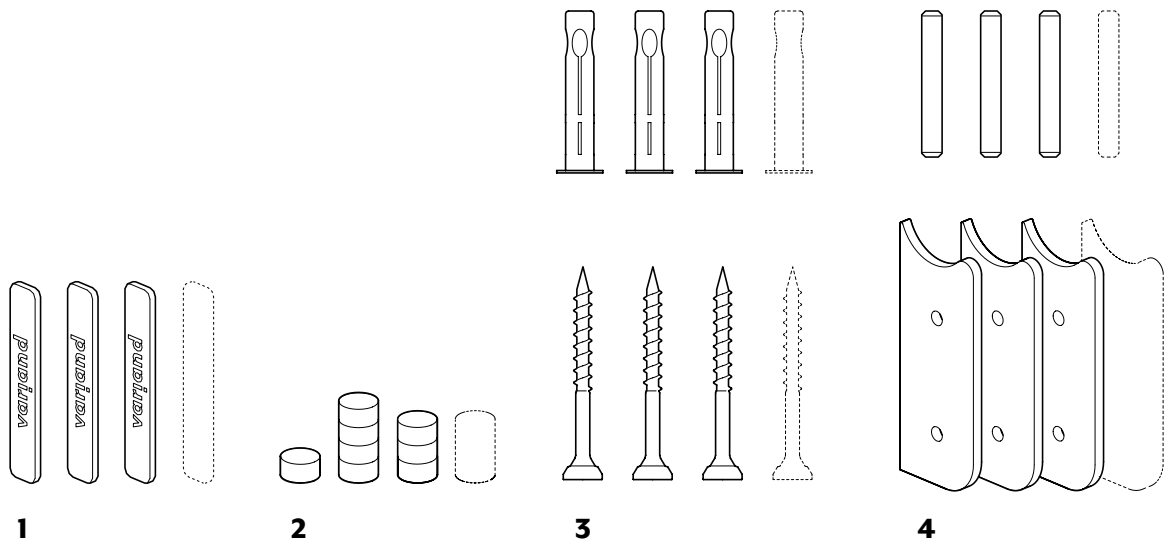
INSTRUCTIONS FOR LIGHT RAILS AND DOOR ACCESSORIES

The assembly instructions for the wall rails with lighting and the door accessories for the modular shelving can only be found online at :

www.variand.furniture/en/pages/downloads-en

PREPARATION FOR ASSEMBLY

- 04** Delivery contents and tools
- 06** Planning the heights of the rails
- 08** Planning sketch
- 11** Assembly sequence
- 12** Inserting end caps on the rails
- 13** Marking the drill holes

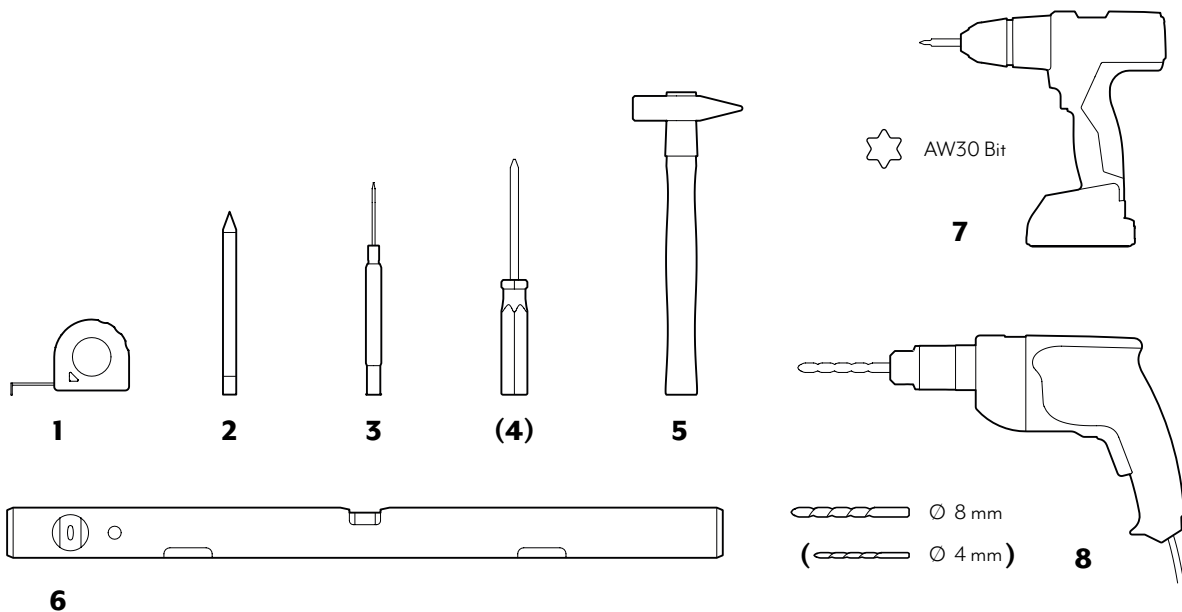


Besides your rails with their components and furniture, the following items are included in the delivery:

1 End covers for rail ends **2** Wooden plugs for covering screws and a small wooden board for flush installation (keep the remaining wooden plugs safe, as you will need them when rehanging a rail elsewhere) **3** Mounting screws and universal dowels (thoroughly check if they are suitable for your wall and seek assistance from a hardware store if in doubt, more information on page 27) **4** Steel bolts and spacers for connecting rails (included if your order also requires rail connections)

DELIVERY CONTENTS

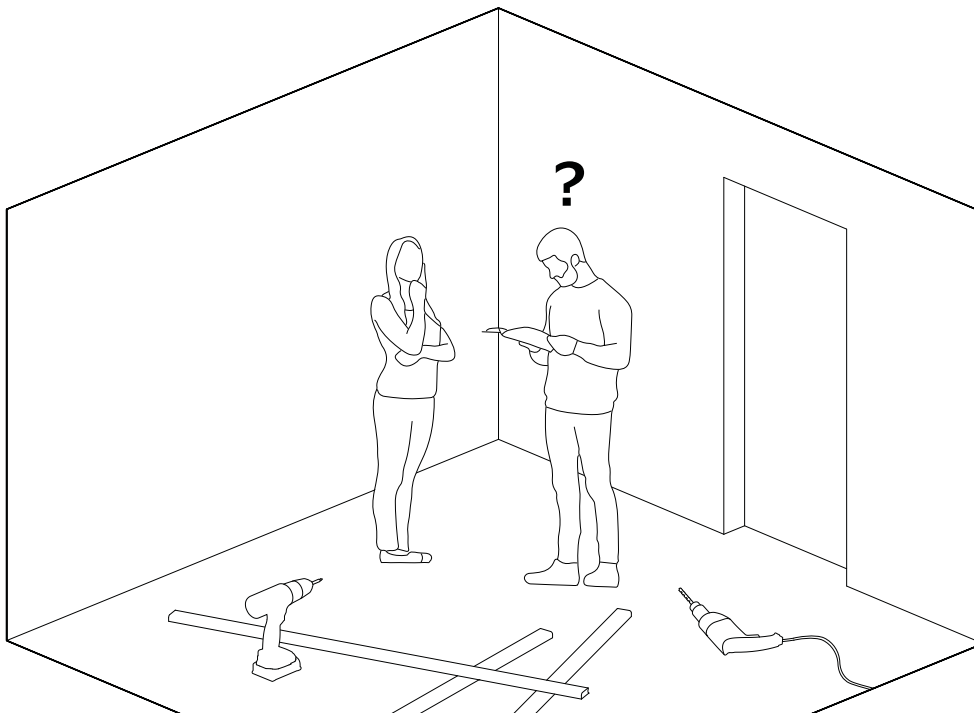
05



— You will need the following tools and accessories for installing the rails:

REQUIRED TOOLS

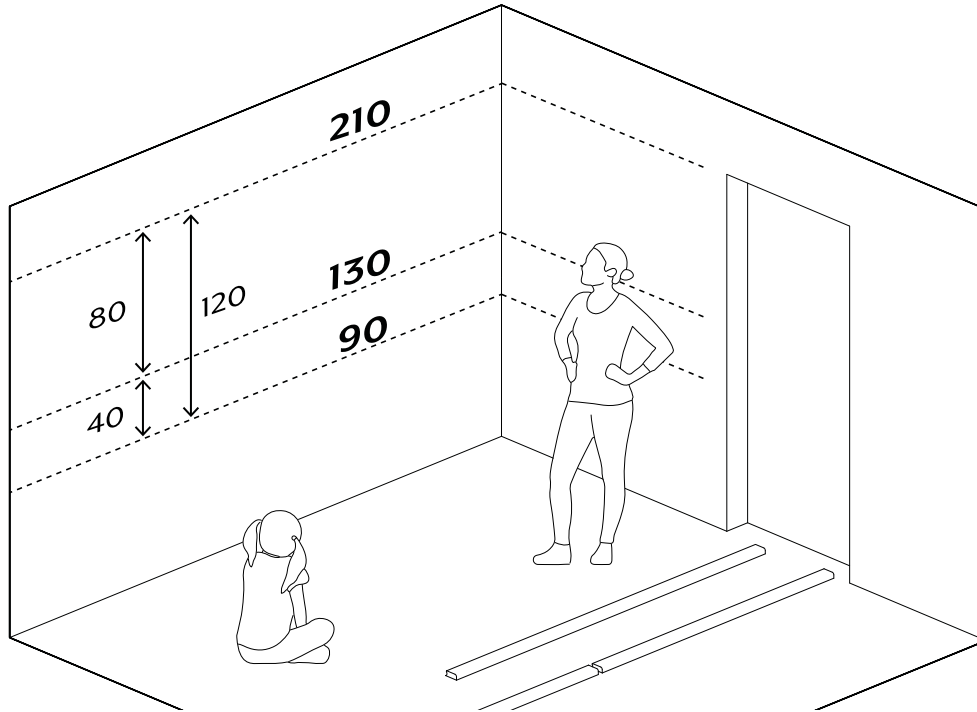
- 1** Tape measure **2** Pencil **3** Thin screwdriver (should fit through holes in the rail, alternatively, you can use a \varnothing 4 mm masonry drill bit) **4** Regular screwdriver (only for disassembly)
5 Rubber hammer **6** Level **7** Electric screwdriver **8** Electric drill with \varnothing 8 mm masonry drill bit



Let's get started! Carefully read through the entire guide, put on some good music, and consider getting a partner to help you, as installing the rails works best as a team effort. At the beginning, you should decide on the heights at which you want to mount your rails. Our suggested heights are 90, 130, or 210 centimeters, measured from the floor to the top edge of the rail. More information can be found on the next page.

ASSEMBLY PREPARATION

Wall rail heights



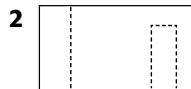
We have determined these heights because they are suitable for the average height of most people. If you are slightly shorter or taller, you can adjust the heights accordingly. Simply use a measuring tape to quickly determine the heights that work best for you. However, it is recommended to maintain the distances between the rails as much as possible, as the system functions best in this way. The rail with the picture rail (white profile on the underside of the rail) should always be mounted at the top to provide a suitable height for hanging pictures.

ASSEMBLY PREPARATION

Wall rail heights

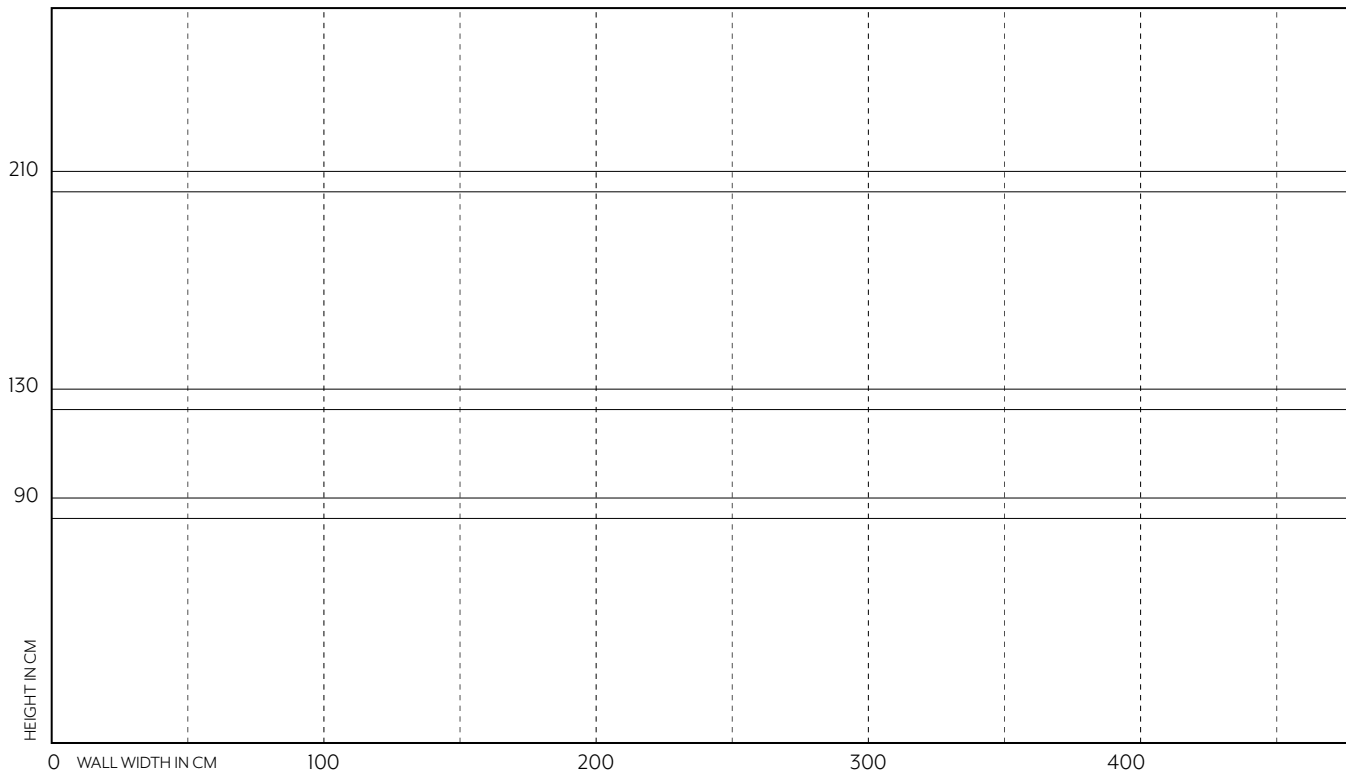
08

1 If you want to create a planning sketch, you can use this planning template.



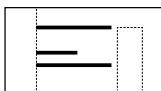
First, draw the wall edges, doors, windows, columns, or any other furniture on the plan.

PREPERATION Installation Sketch



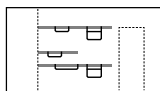
09

3



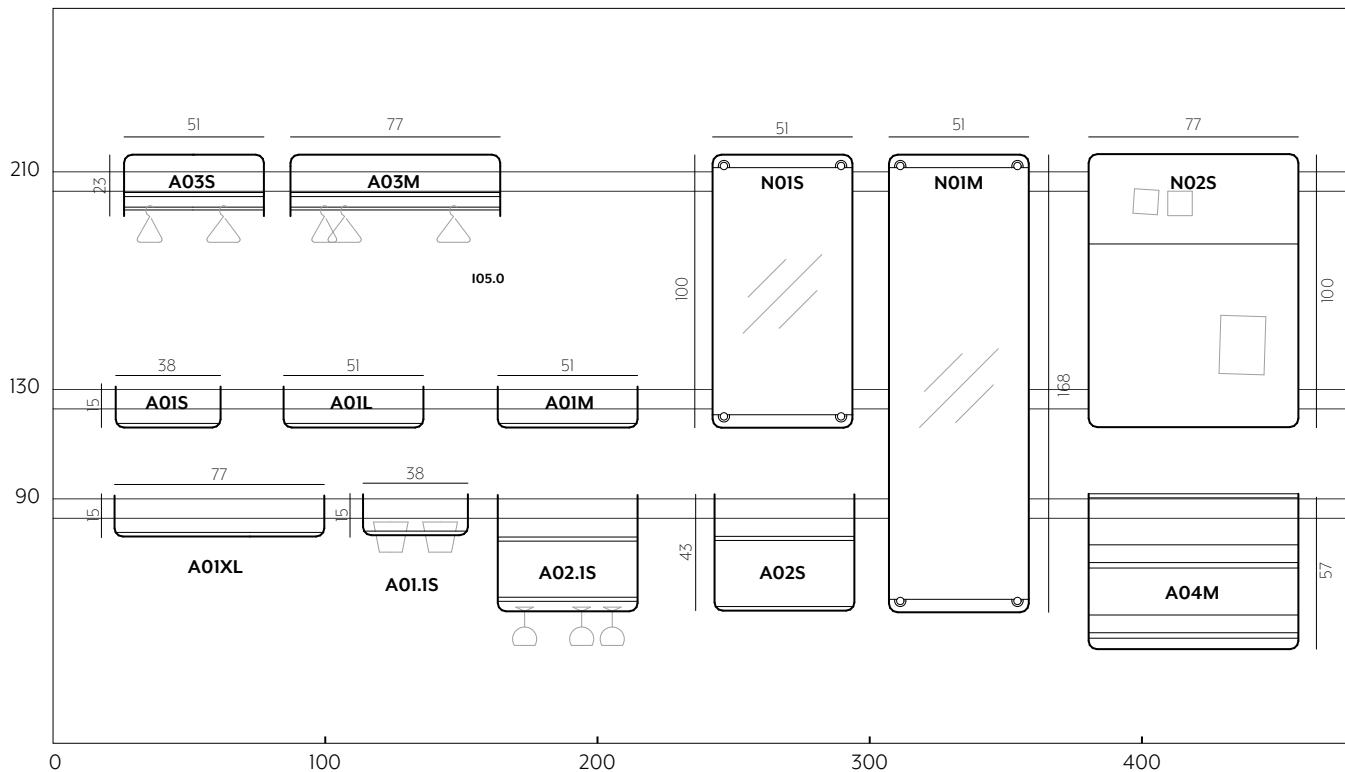
Next, draw the lengths of the rails and the types of rails.

4

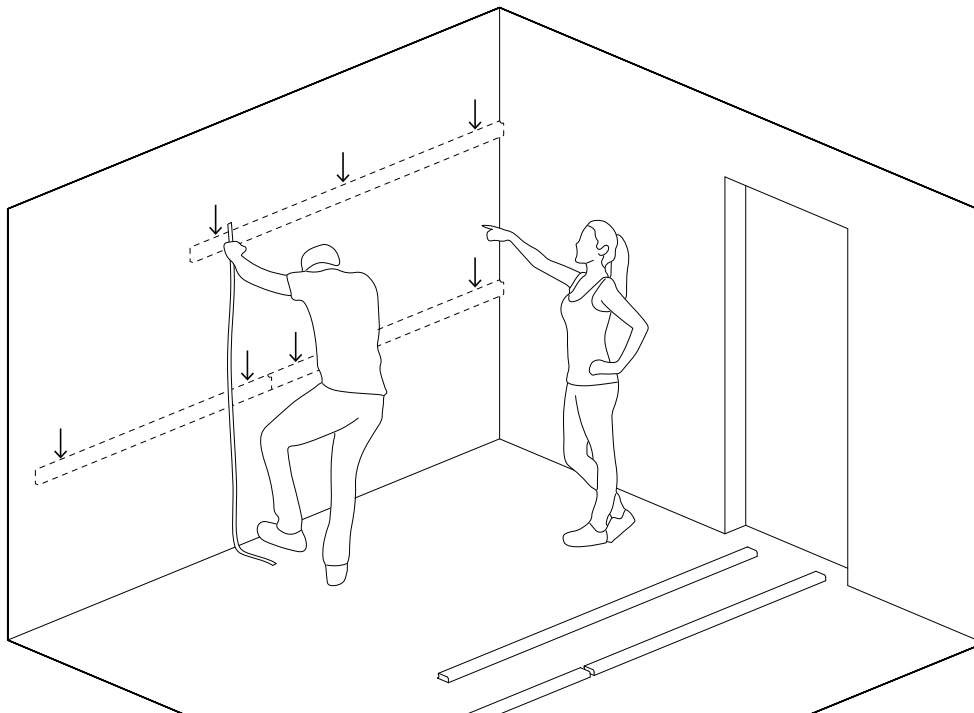


If you want to plan it more accurately, you can use this page as a transparent overlay to transfer the furniture onto your drawing.

PREPERATION Installation Sketch



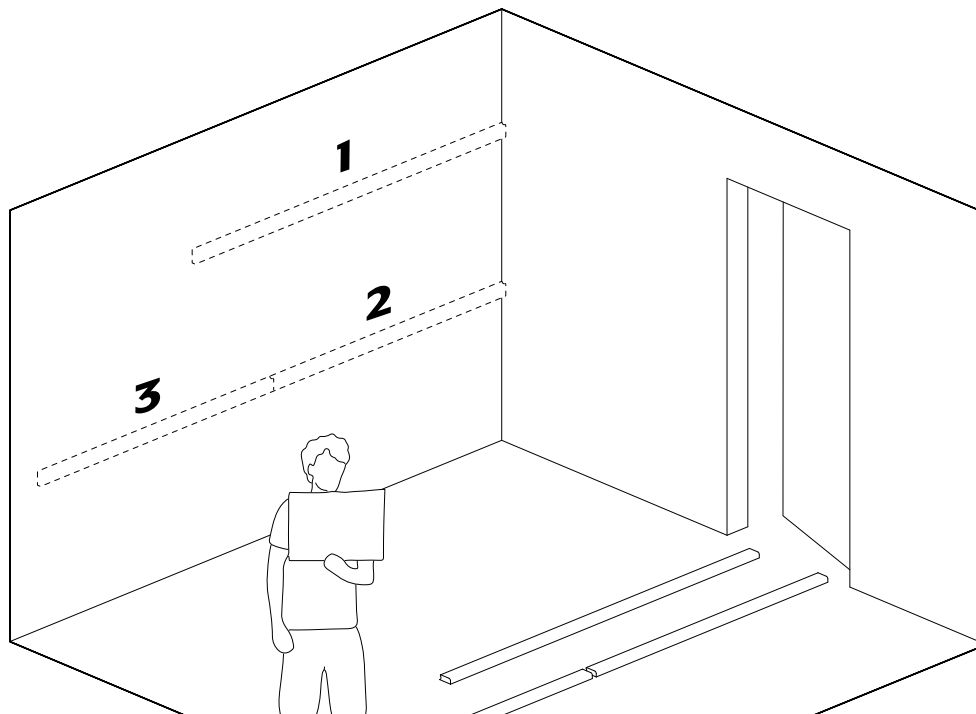
10



Once you have determined the heights of the rails, you can now use a measuring tape to measure and mark the wall accordingly. Depending on the length of the rail, make 2-3 markings on the wall.

ASSEMBLY PREPERATION

Marking the heights

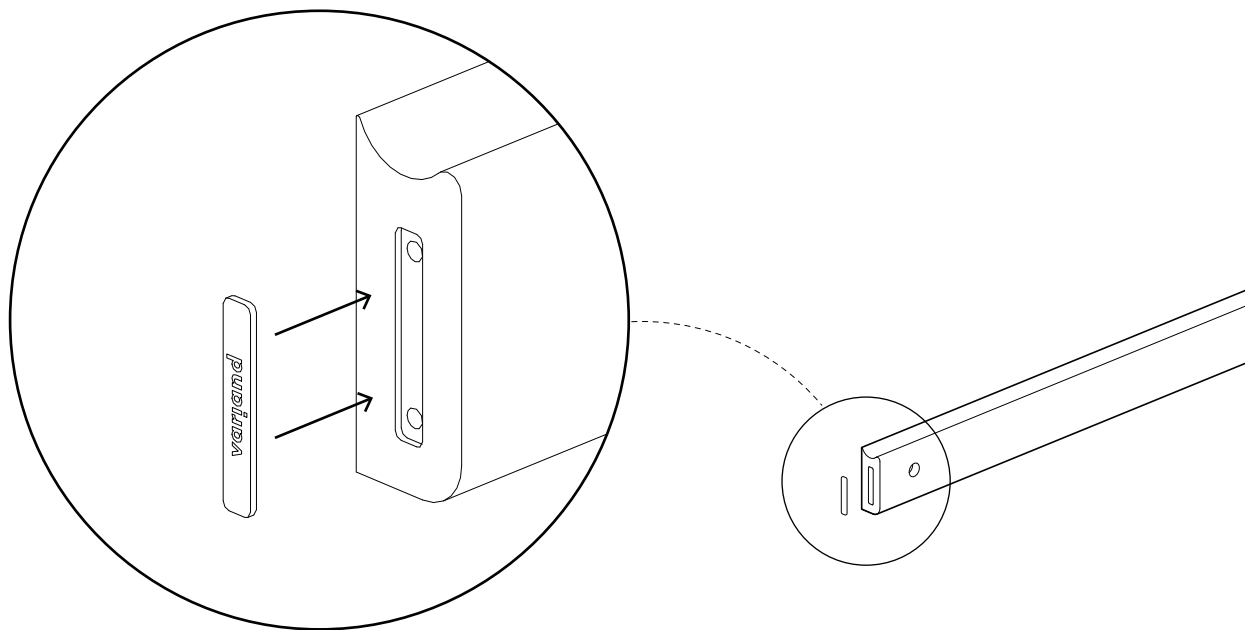


- 1 When mounting, it is best to start with the top rails.
- 2 If two rails meet and one of them runs against a wall, you should first mount the rail on the wall before drilling the holes for the adjacent rail and mounting it.
- 3 In the next step, drill the holes for the adjacent rail and fit it.

ASSEMBLY PREPERATION

Sequence of assembly

12

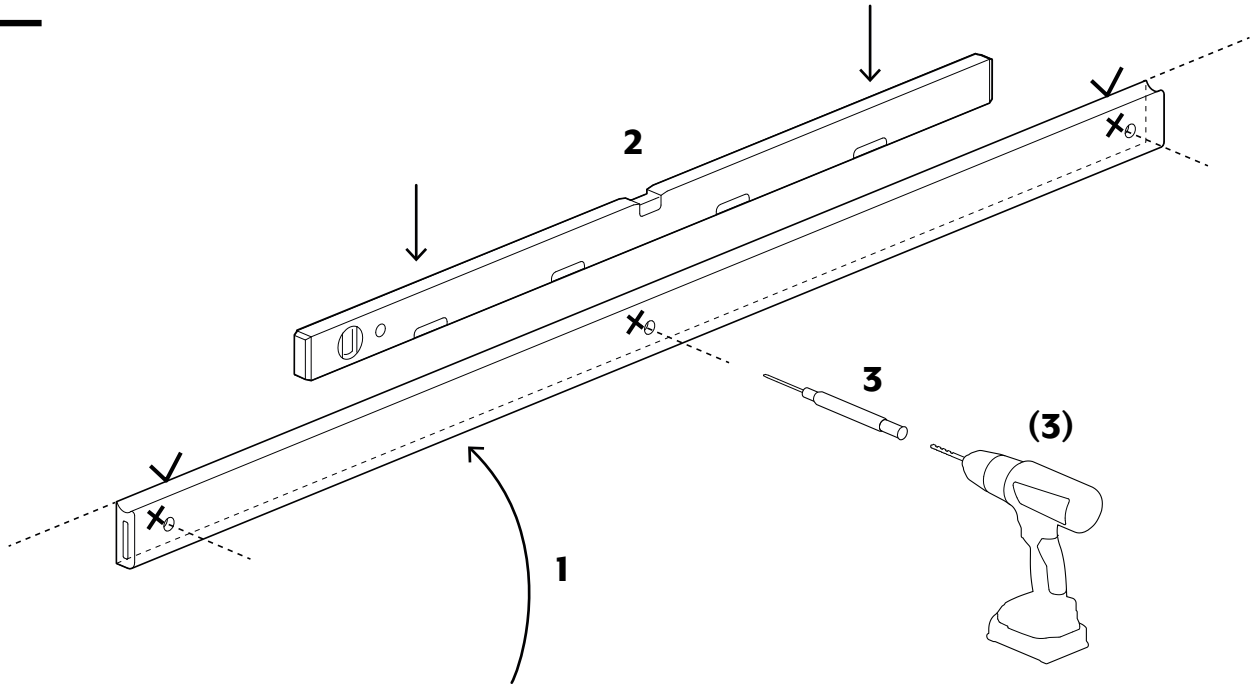


The end pieces of the rails are provided with a recess and two holes. The holes are used when two rails need to be connected. For rails whose ends should not meet other rails, you can now insert the covers with the Variand logo into the appropriate recess. If you ever want to remove the cover, for example, to add another rail, you can simply press the plate on the lower side into the rail. It will then detach from the rail on its own.

ASSEMBLY PREPERATION

Inserting end caps on the rails

13



- 1** Align the rail with the markings on the wall in the position where it will be hung.
- 2** Place a level on the rail and check if it is rail. This step is best done with two people.
- 3** Using a thin screwdriver or pencil lead, poke through the holes to mark the drilling points. Alternatively, you can also carefully drill through the hole using a $\text{Ø } 4$ mm masonry drill bit.

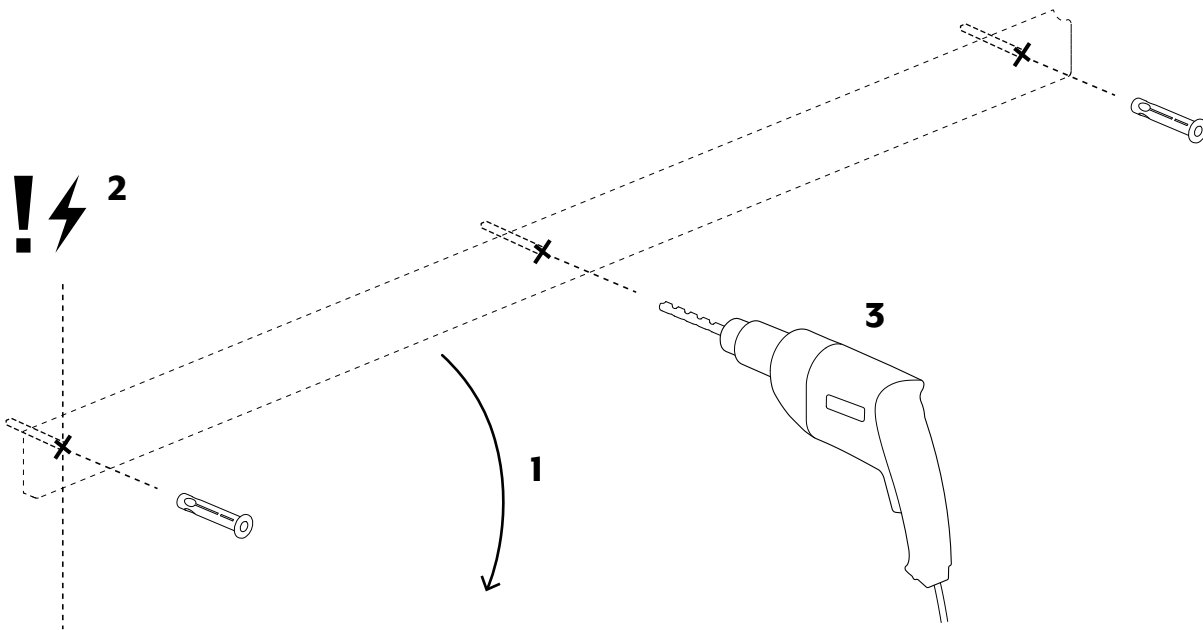
ASSEMBLY PREPERATION

Marking the drill holes

ASSEMBLY

- 15** Drill the holes
- 16** Tighten the screws
- 17** Connecting the strips
- 20** Covering the screws
- 22** Hanging the furniture
- 24** Disassembly

15

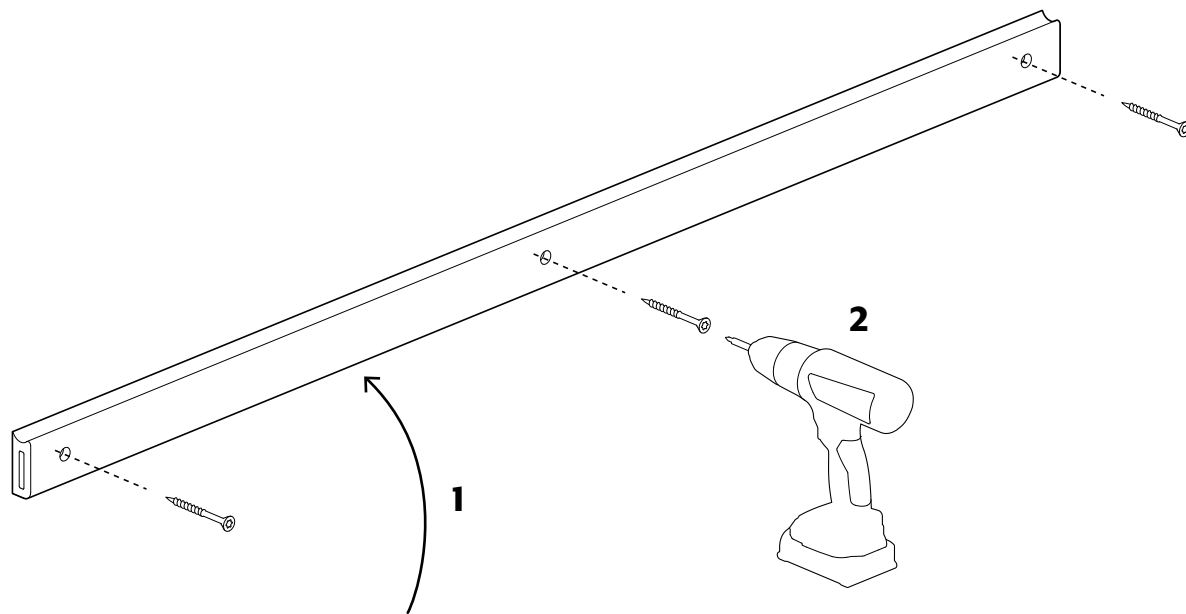


- 1 Remove the rail from the wall and use a pencil to mark the drill holes afterwards.
- 2 Before drilling, make sure to check if there are any water pipes or electrical cables in the wall at the marked locations! If another rail is supposed to be adjacent to this one, check if there are any potential utilities in that area as well, as you might need to adjust the position of both rails.
- 3 Use an \varnothing 8 mm masonry drill bit to drill the holes and then insert the wall plugs into the holes. If you are installing Variand on a dry-wall / plasterboard wall, please make sure that the hole is not too wide. Ideally, you should use a \varnothing 7 mm drill bit so that the dowel has to be pressed into the hole with force and sits very firmly.

ASSEMBLY

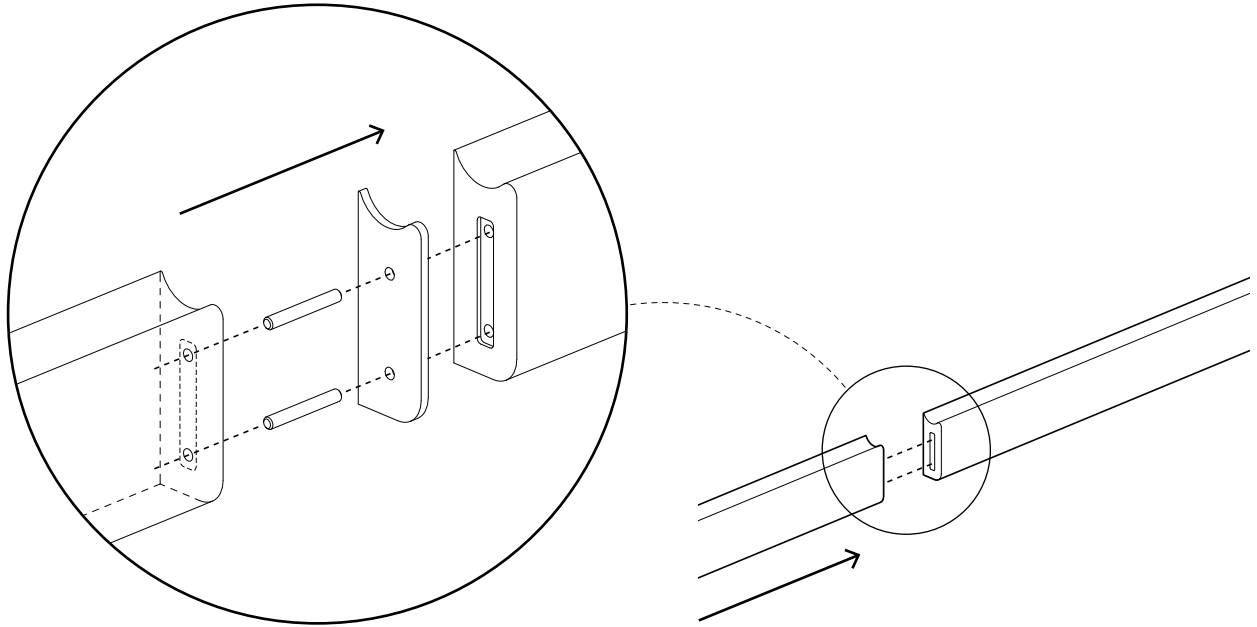
Drilling the holes

16



- 1 Now, reposition the rail back onto the wall. It's easier to secure the rail if you have already inserted the screws partially into the holes on the back of the rail, leaving a few millimeters protruding. This way, when you hold the rail against the wall, you can easily align it with the wall plugs.
- 2 Use an electric screwdriver to gently tighten all the screws until the rail is securely attached to the wall.

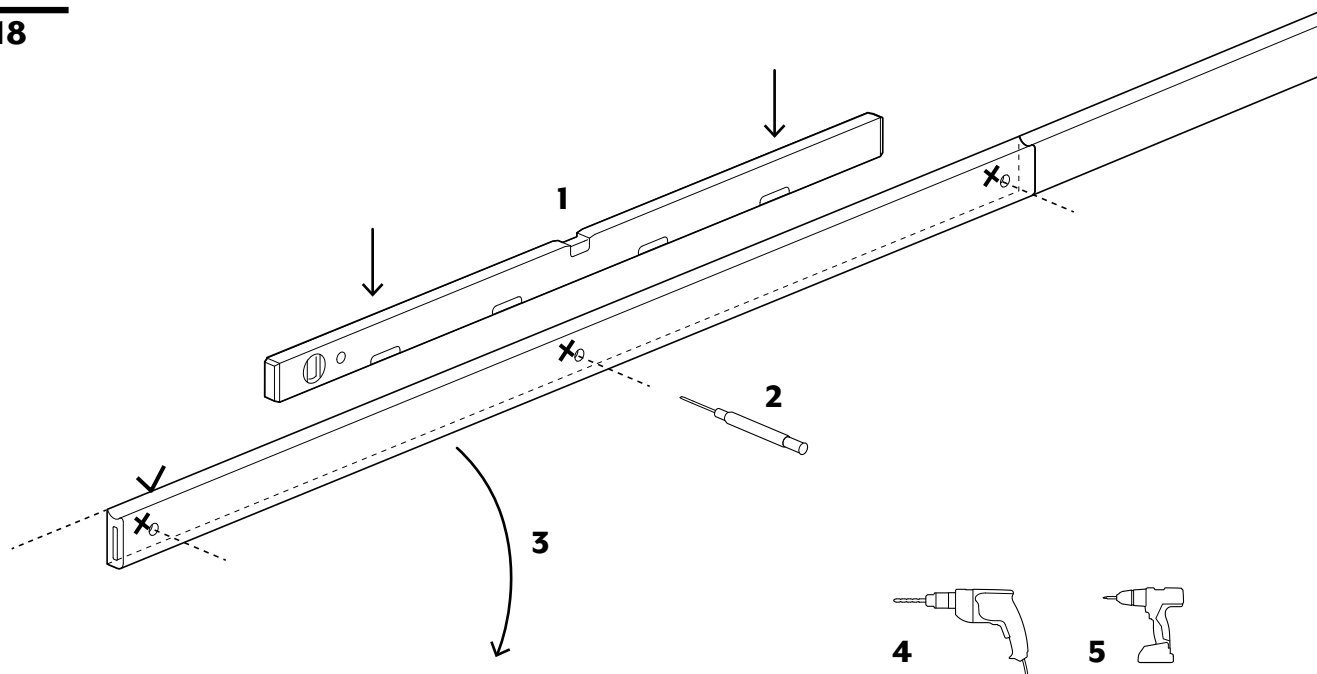
ASSEMBLY



— To achieve a flush alignment between two adjacent rails, there is an option to connect them. Follow these steps: Insert the steel bolts into the holes of the already mounted rail. Place the white spacer plate onto the bolts. The white plate helps to minimize the visible gap and any differences in wood color between the rails. If you prefer a wood-on-wood look, you can omit the white plate. Next, position the second rail onto the bolts, aligning it with the first rail. Now, you can mark the drill holes for the second rail based on the position of the bolts.

ASSEMBLY
Connecting rails

18



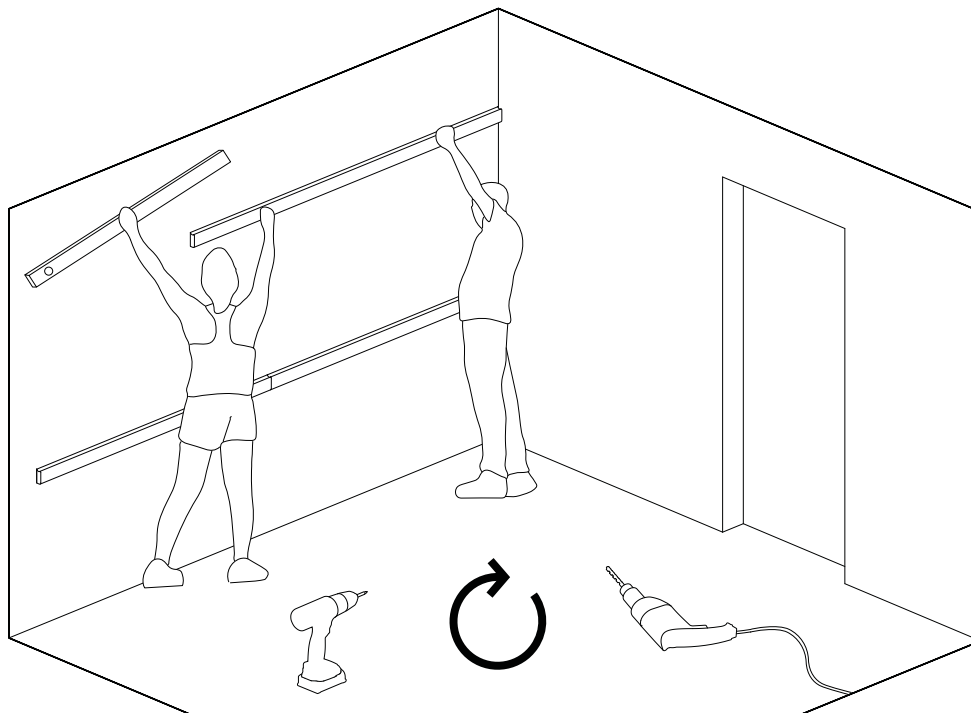
— Now, repeat the previous steps for the second rail:

1 Use the level to align the free end of the rail horizontally. **2** Mark the drill holes using a thin screwdriver or a \varnothing 4 mm drill bit. **3** Remove the rail from the connecting dowels and set it aside.

4 Drill the marked holes. **5** Insert the second rail into the already mounted rail and tighten the screws securely.

ASSEMBLY
Abutting rail

19

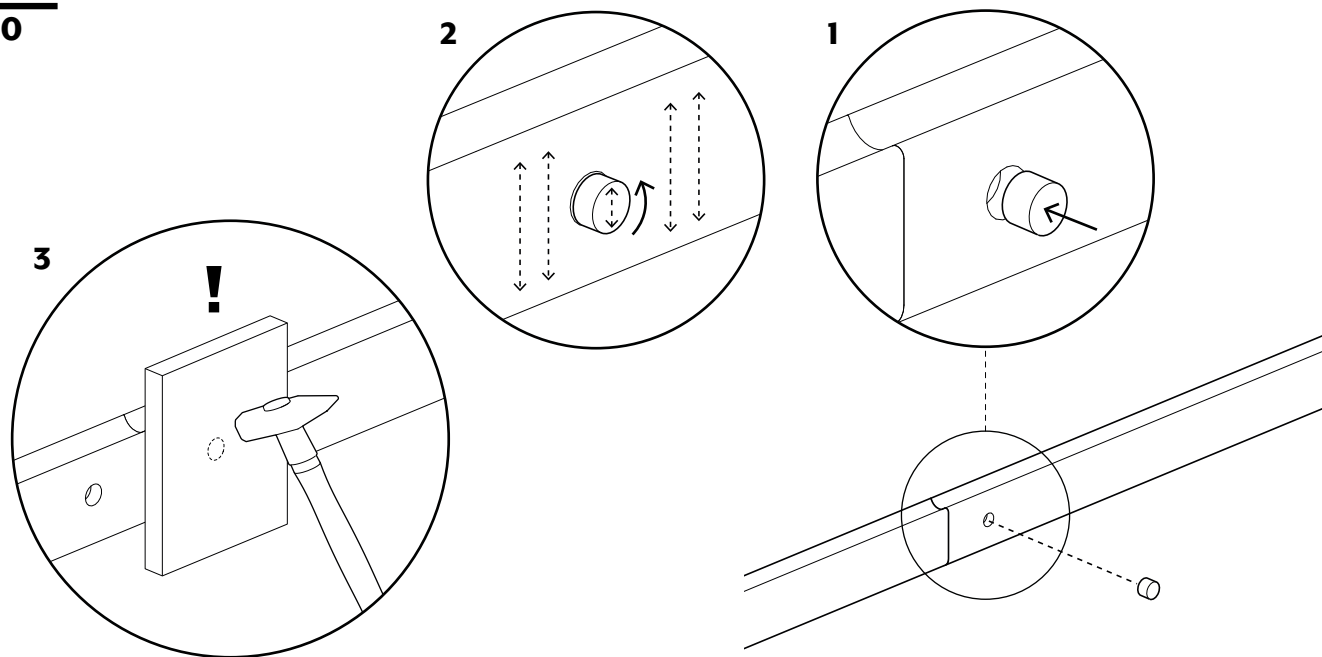


— Congratulations, you are now a pro at installing Variand rails! Repeat the previous steps until all your rails are mounted on the wall.

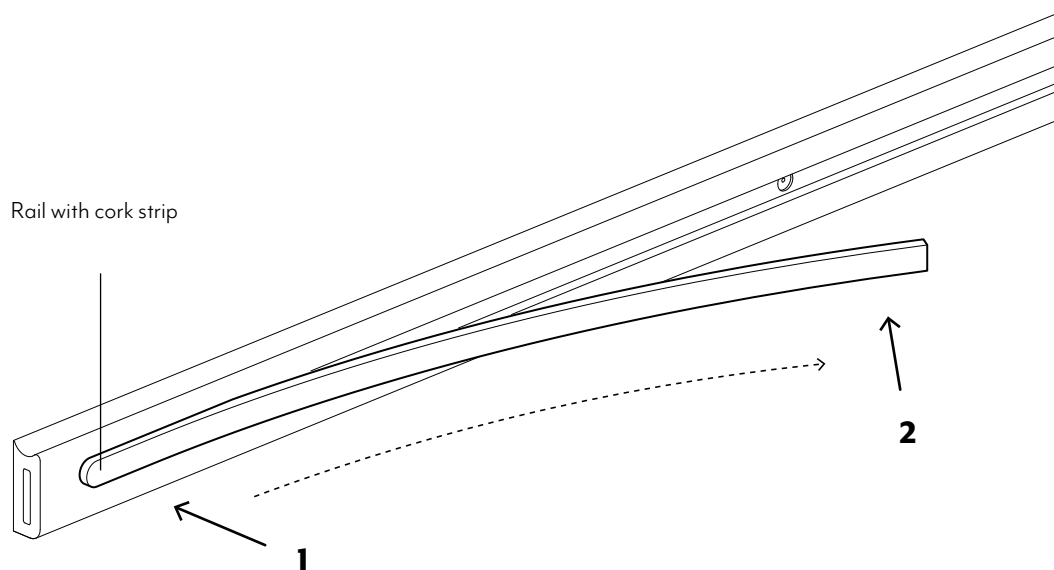
Once all the rails are hanging on the wall, you can cover the screw holes with the provided wooden plugs. Whenever possible, the wooden plugs are made from the same wood material as your rails, ensuring a perfect fit and minimal visibility. For more information, please refer to the next page.

ASSEMBLY

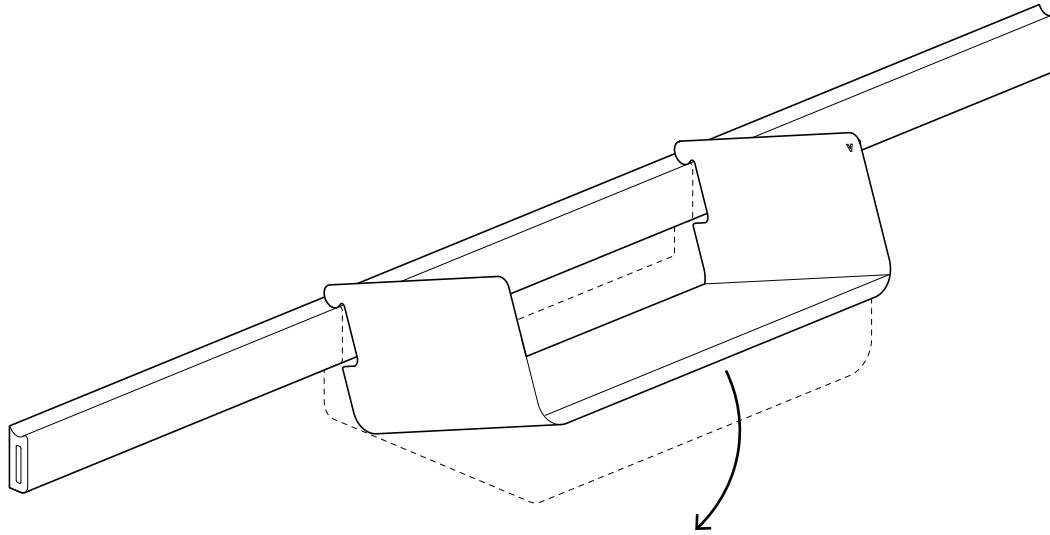
Remaining rails



- 1 Hold a wooden plug with the nicer side facing outward and lightly press it onto the hole until it holds on its own.
- 2 Before doing so, make sure that the wooden plug has a similar color tone to the rail and that the grain direction of the wood in the plug matches that of the rail as closely as possible.
- 3 Never strike the wooden plug directly with a hammer. Instead, take the provided wooden board, place it over the plug, and strike the board with the hammer until the plug is flush with the rail.



-
- For the rail with cork strips, the screw holes are not covered with wooden plugs. Instead, they are concealed by the cork or felt strip. To cover the screw holes with the strip, follow these steps:
- 1 Start at the rounded end of the groove and carefully press the strip into it.
 - 2 Gradually push the strip further into the groove, ensuring it is fully inserted and flush with the rail. For longer rails, you may need to use multiple strips.

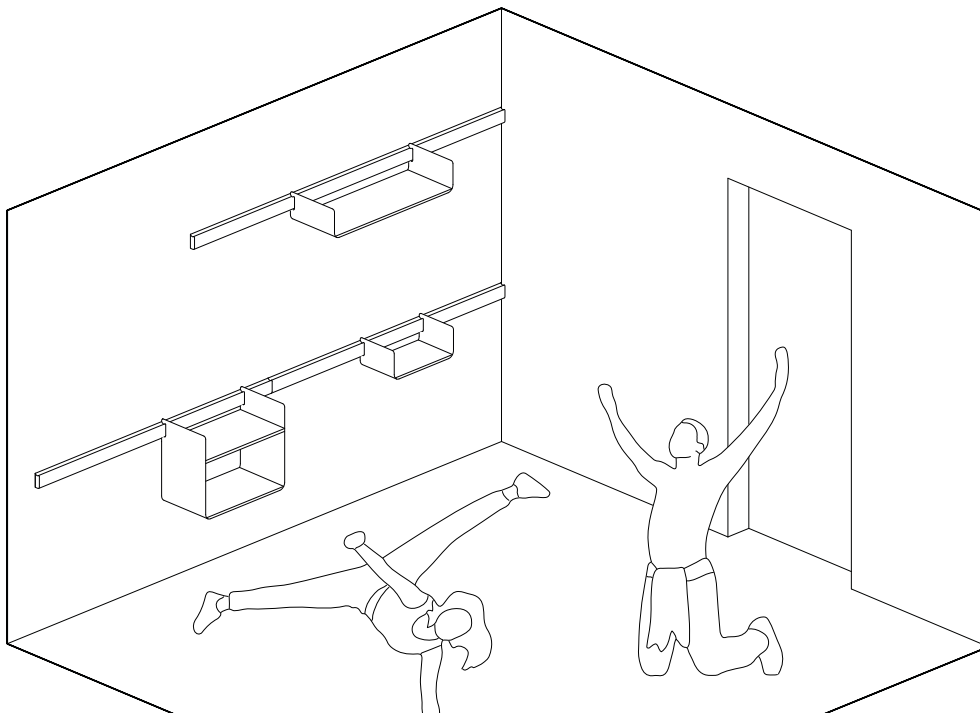


— To hang the furniture on the rail, follow these simple steps:

Hold the furniture at a slight angle (for those who want to be precise, about 20°) against the rail. Place the rounded hanging nose of the furniture into the corresponding curve or groove on the rail. Rotate the furniture downwards until it is securely hooked onto the rail. For mirrors and boards, they are equipped with a bent edge on the back. Carefully place this bent edge onto the rail and rotate the furniture towards the wall. Release the mirror or board only when you feel that it has securely latched onto the rail and is firmly held in place.

ASSEMBLY

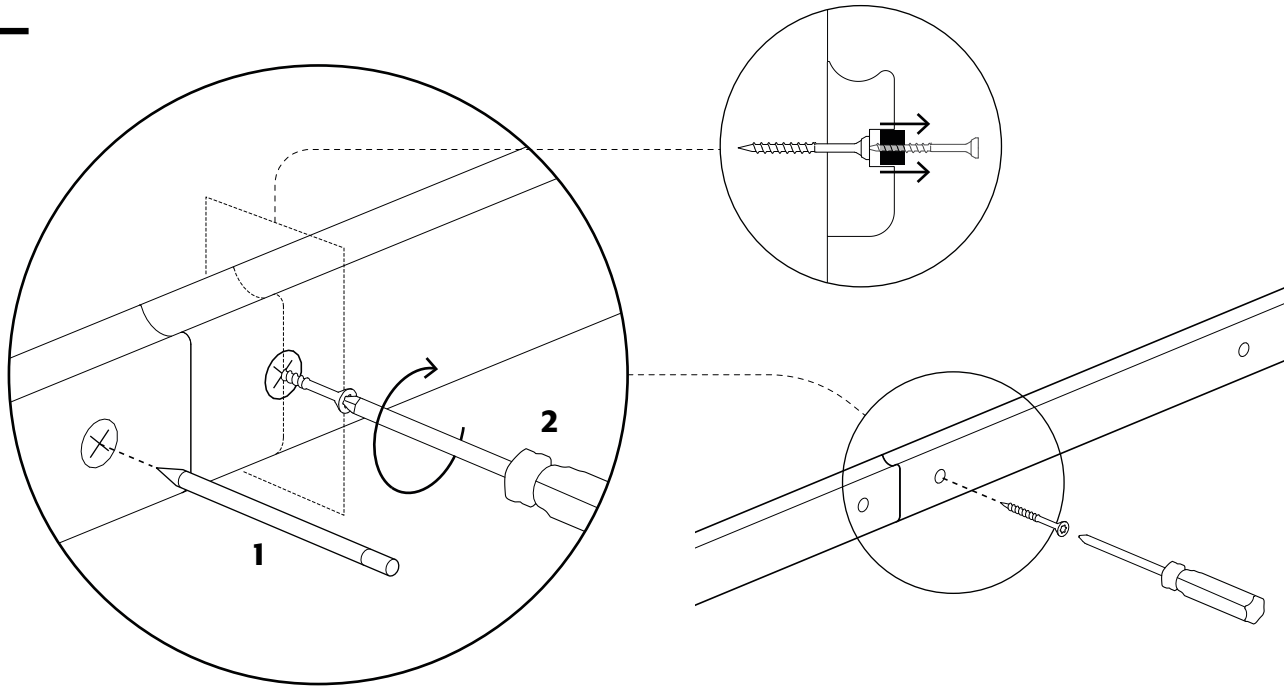
Mounting the furniture



— Your Variand wall is complete! From now on, rearranging your furniture is no longer a problem. Simply move your furniture around as you please and transform your wall to suit your current needs or preferences.

ASSEMBLY

Mounting the furniture



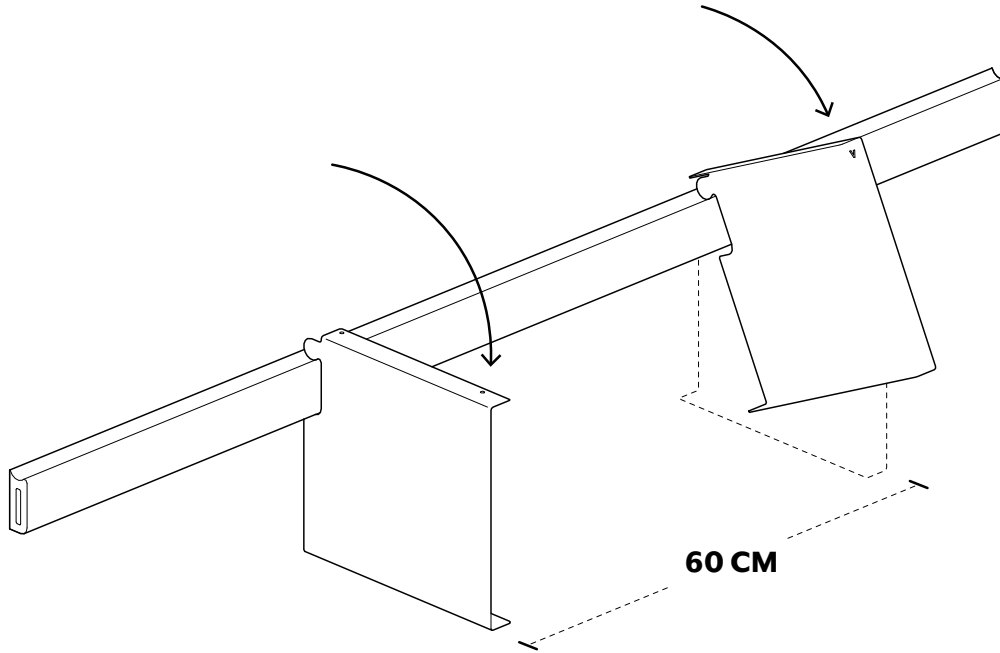
— To remove the moldings, you need to start by removing the wooden plugs covering the screws. It's best to mark the wooden plugs on the moldings with a pencil beforehand so you can locate them easily. 1 Remove the wooden plugs one by one by gently screwing a medium-sized screw into the wooden plug. Once the new screw meets the mounting screw of the molding, the plug should come out of the molding on its own. Be careful not to damage the molding in the process. **The plugs cannot be reused, which is why the delivery includes more plugs than necessary, and it's important to keep them for future use.**

DISASSEMBLY

Screw Covers

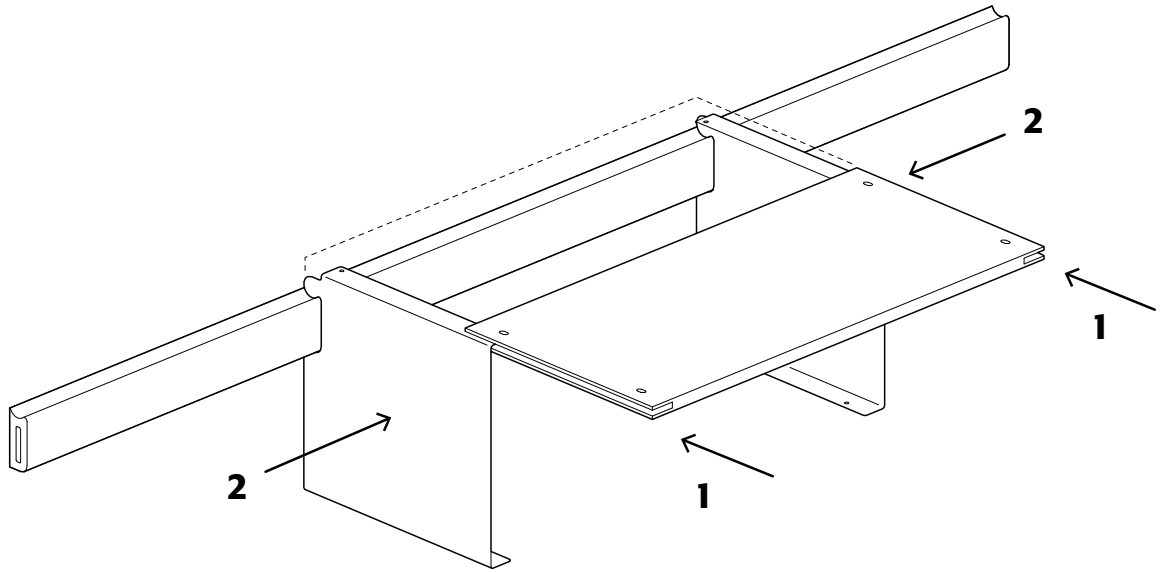
ASSEMBLY MODULAR SHELVING UNIT

- 26** Assembly of the shelving elements
- 31** Horizontal connection of elements
- 32** Instructions for use



Begin by hanging the left and right side panels into the rails at a distance of approximately 60 centimeters. Make sure to position them in a way that the bent short edges are facing inward.

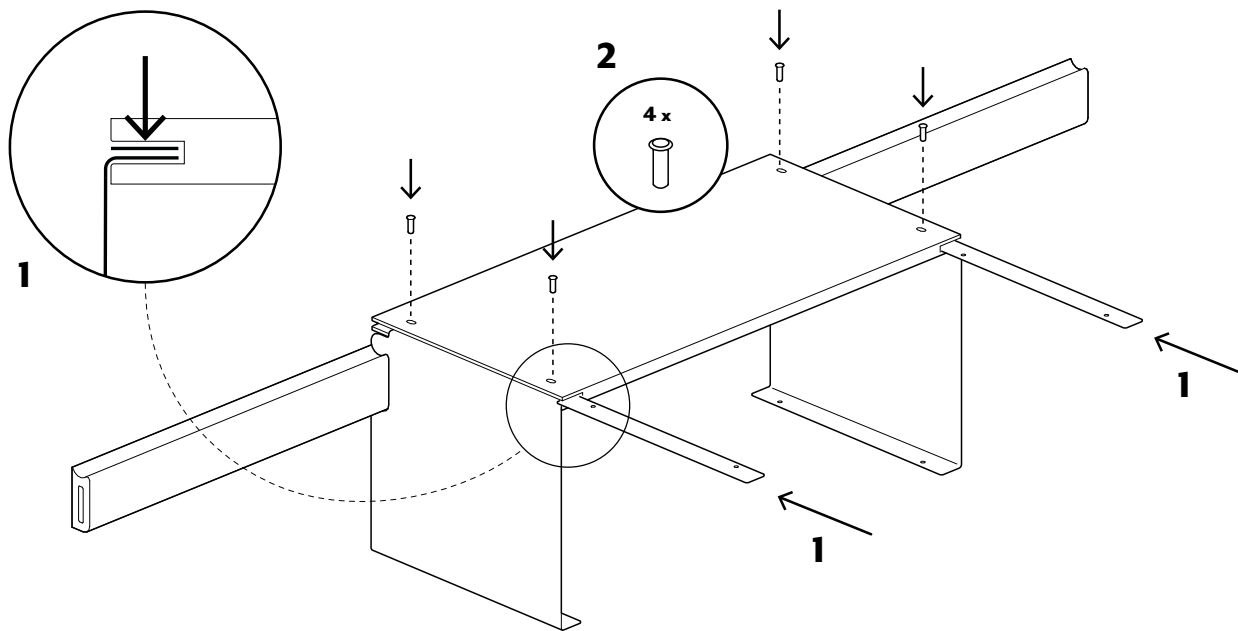
MODULAR SHELF
Hanging side panels



- 1 Next, slide the shelf board (with the four holes for the assembly bolts facing upward) onto the side panels until it rests against the wall with its backside.
- 2 Then, press the side panels against the board to ensure they fit properly into the grooves.

MODULAR SHELF
Slide in shelf

28

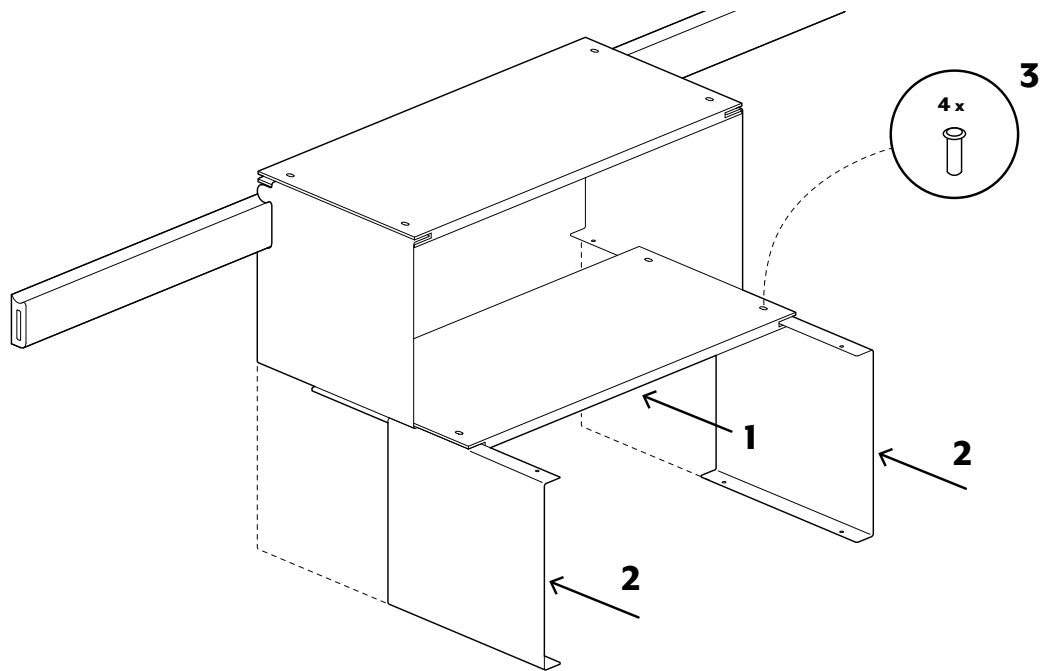


- 1 Now, slide the narrow end plates, with the holes facing inward, into the groove of the shelf board. Make sure the end plates overlap the side panels within the groove.
- 2 Next, secure the parts by inserting the small steel bolts from above into the designated holes. You may need to readjust the side panels and end plates slightly within the grooves to align the bolts with the holes in both metal parts and fit snugly into the wood.

MODULAR SHELF

Fixing shelf

29

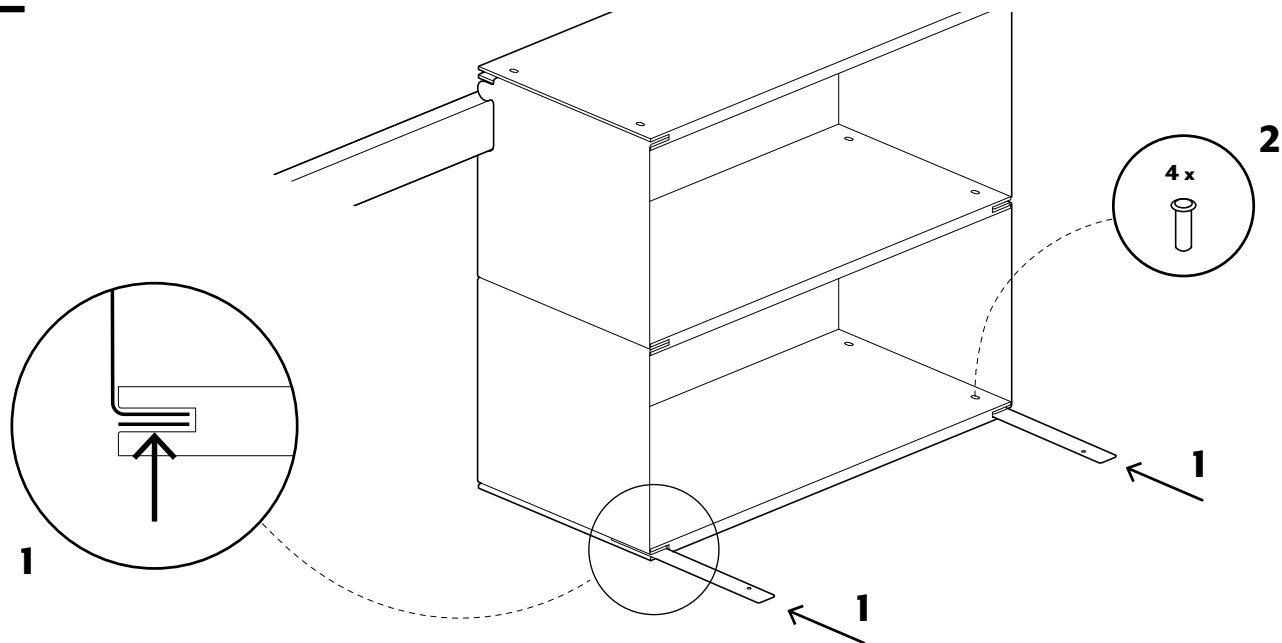


- 1** Repeat the previous steps and start by sliding the next shelf board onto the side panels.
- 2** Then, slide the expansion plates (side panels without hanging tabs) into the groove on the wooden board.
- 3** Secure the parts once again using four steel bolts.

MODULAR SHELF

Extension of the shelf

30

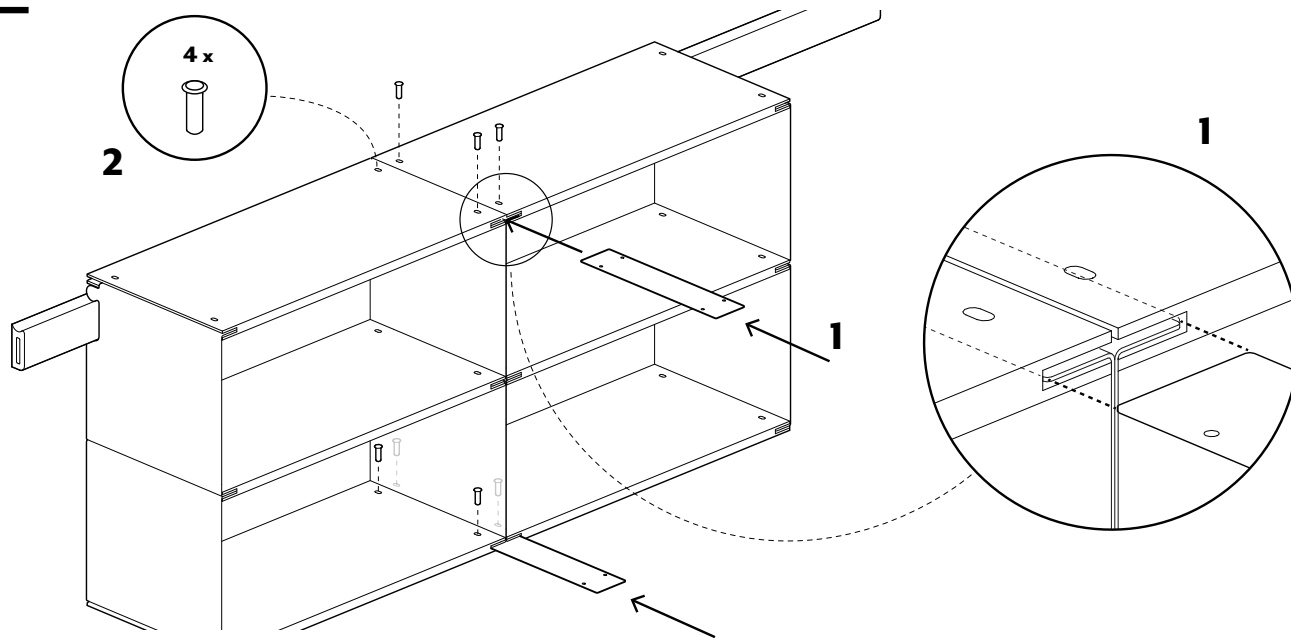


Repeat the previous steps and start by sliding the next shelf board onto the side panels.

- 1 Then, slide the expansion plates (side panels without hanging tabs) into the groove on the wooden board.
- 2 Secure the parts once again using four steel bolts.

MODULAR SHELF
Fixating lowest board

31

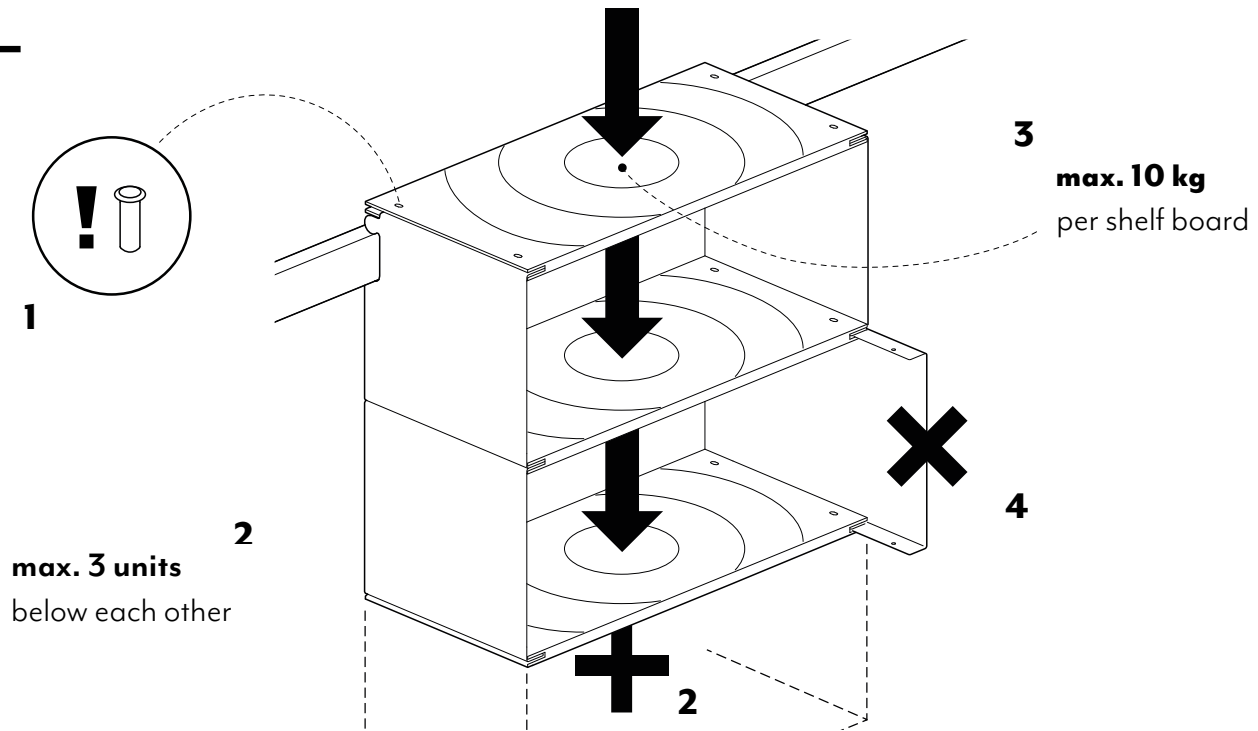


To securely connect two adjacent hanging shelf elements, there are wider connection plates with holes on both sides. Connecting the shelf elements is not mandatory but it adds extra stability to the entire shelf. Whether your delivery includes connection plates depends on the original configuration of your shelf, but you can also reorder them if needed.

- 1 Simply insert them into the grooves of the shelf boards, replacing the narrower end plates at the top or bottom.
- 2 Then secure the parts with the steel bolts.

MODULAR SHELF

Connection of shelves



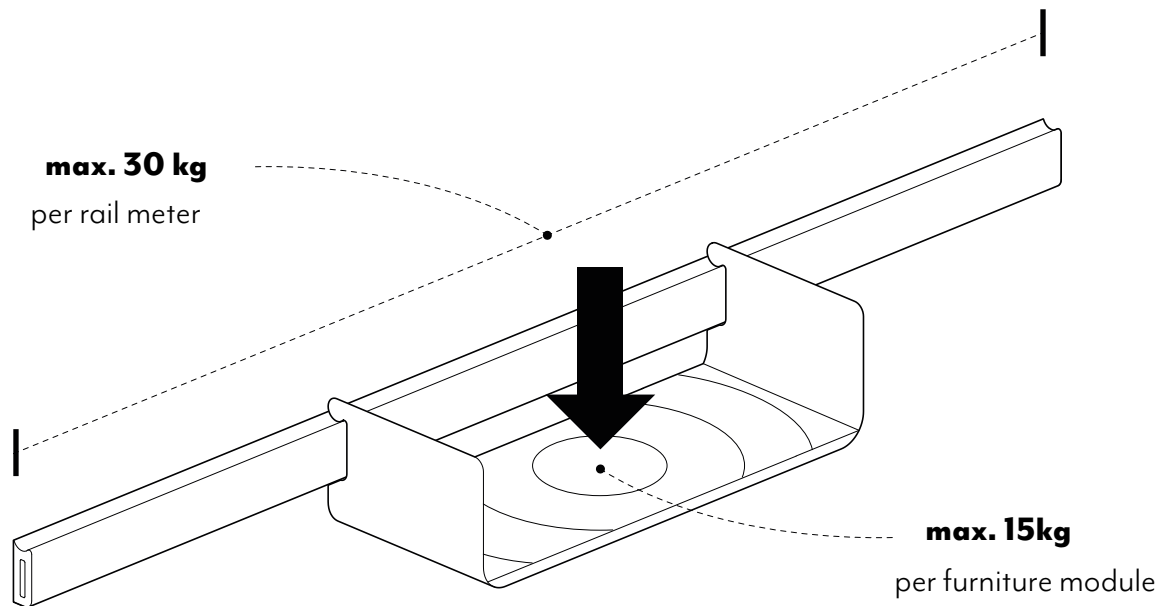
- 1 Never hang the shelf without using the steel bolts to secure the parts.
- 2 Never stack more than three shelves, regardless of their size, vertically.
- 3 The maximum load capacity per shelf board is 10 kg when the weight is evenly distributed.
- 4 Do not combine shelves of different depths, such as Depth M (29cm) and Depth L (38cm), as the mounting holes are not compatible.

MODULAR SHELF

Instructions for use

IMPORTANT NOTES

- 34** Maximum load
- 35** Assembly components
- 36** Care and cleaning
- 37** Adjusting wall rails
- 38** Vision Variand exchange platform
- 39** Give us your feedback



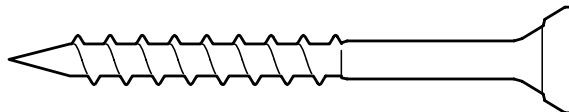
The maximum load for all shelves and storage units of the Variand system, as well as the desk, is 15 kg when weight is evenly distributed. The metal hooks can bear a maximum load of 5 kg. The strip can be loaded with a maximum of 30 kg per meter, evenly distributed. These values strongly depend on the condition of the wall and the stability of the mounting anchors. For an old building wall, you should expect significantly lower weight capacity. More information on the next page.

INSTRUCTIONS FOR USE

Maximum load



ALLZWECKÜBEL SHARK® PRO
Manufacturer: Würth
Part-Nr. 590620846



ASSY® 3.0 SPANPLATTENSCHRAUBE
Manufacturer: Würth
Part-Nr. 017016060



The included universal wall plugs are suitable for various types of walls according to the manufacturer, including concrete, solid brick, calcium silicate solid brick, perforated brick, calcium silicate perforated brick, aerated concrete, gypsum plasterboard, and gypsum fiberboard. For more information, you can visit the manufacturer's website and enter the product number. If you have any doubts about the suitability of the wall plug for your wall or if you have an older building, it is strongly recommended to seek advice from a hardware store regarding proper installation and suitable mounting products.

INSTRUCTIONS FOR USE

Assembly components



CARE INSTRUCTIONS

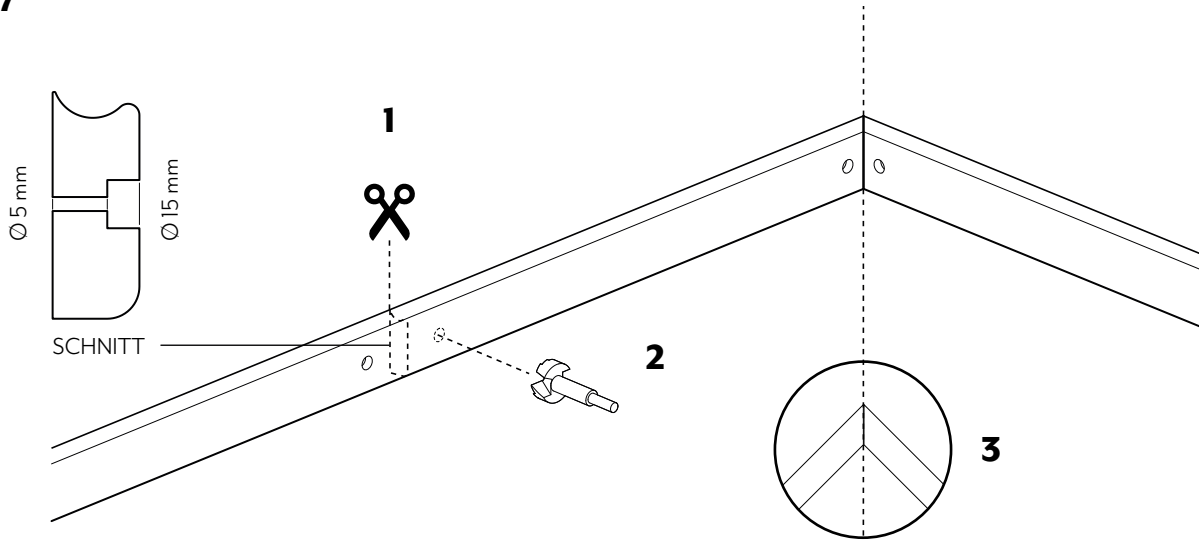


To ensure that your Variand furniture accompanies you for many years, it is important to follow proper care and cleaning instructions for the various materials. The most important thing is to avoid leaving water on the wooden boards and the ledge, as this can penetrate the varnish and damage the wood.

For detailed instructions, please refer to our care guidelines. Simply scan the QR code with your smartphone camera or visit our website and download the care instructions from the „Downloads“ section.

INSTRUCTIONS FOR USE

Care and cleaning

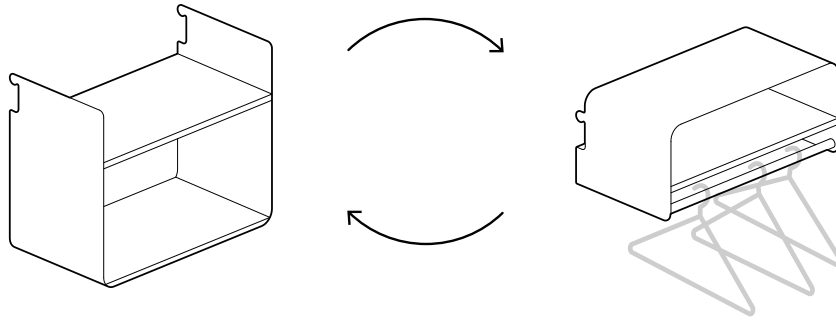


— If you ever want to modify your wall rails, it is possible, but please note that it will void the warranty for the rail. If you still want to cut or divide your moldings, please consider the following:

- 1 There should always be anchor points at the ends of the rail to secure it. When cutting the rail, try to make the cut as close to an existing hole as possible, then you'll only need to add one more.
- 2 You can use a $\varnothing 15$ mm Forstner drill bit to drill a hole 12 mm deep for the wooden plug in the rail. For the mounting screw, drill a $\varnothing 5$ mm hole.
- 3 If you want to join two rails at a corner, you should provide both rails with a miter cut (45° angle at a 90° corner).

INSTRUCTIONS FOR USE

Modifying wall rails



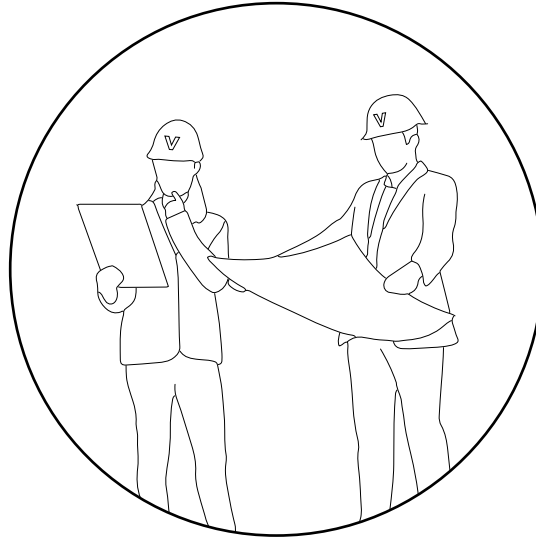
— We want Variand to accompany you throughout your life as a versatile and adaptable furniture system that can flexibly adjust to your needs and circumstances.

VISION

A grand and long-term vision for Variand is to offer users the opportunity to exchange and replace furniture that is no longer needed with pieces that can serve a different purpose. For example, if you move and no longer have space for your Variand wardrobe in the new apartment, it would be fantastic to be able to exchange it for a beautiful shelf and use the rails and remaining furniture to create a wall unit.

To achieve this, we aim to establish a swap platform where the Variand community can connect and exchange furniture with each other. Looking further into the future, there might even be a possibility to return furniture to us. This way, we can enable a more flexible use of the entire system, offer our furniture as second-hand items to people with lower budgets, and contribute to the sustainable use of furniture.

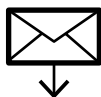
Of course, this is not a simple concept, and it will take considerable time to realize this idea. So, if you ever find yourself in a situation where our system or some parts of it no longer suit your needs, feel free to visit our website and see if we have managed to turn this vision into reality.



Help us to continuously improve Variand with your feedback. We would like to know your experience with our furniture, how you perceived our service, whether everything worked during assembly or if there were any problems or difficulties.

If you have a few minutes to spare, please drop us a line or email, leave us a comment on the social media platform of your choice or write us a review on Google.

FEEDBACK



info@variand.de



variand.furniture



variand.furniture



variand

STAY CONNECTED AND SHARE YOUR VARIAND WALL WITH US!

We are excited to see how you use, arrange, and personalize your Variand furniture according to your preferences.

We would love it if you could send us pictures of your Variand wall or share them on the social media platform of your choice, tagging Variand in the pictures.

But for now, enjoy your Variand furniture to the fullest!



www.variand.de

Variand Furniture GmbH, Wilhelm-Mauser-Str. 47, 50827 Köln

→ **WWW.VARIAND.DE**