

RANGE HOODS

NEW INNOVATION



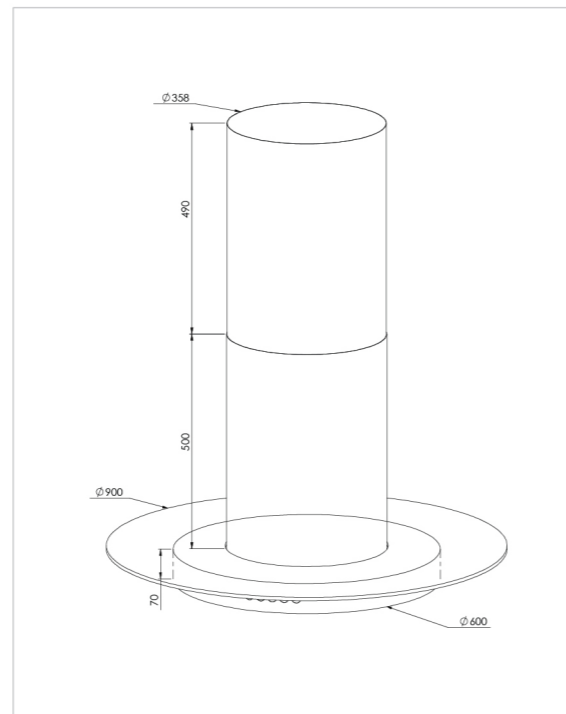
CSI 9090
Island hood
(center hood)

Features

- Finish: Round glass shape, S.S body, Tempered glass.
- Control: 3 speed with touch.
- Filter: S.S filter, S.S oil cup
- Motor: Dual suction motor (2x180w)
- Noise: ≤56db
- Lamp: 4 leds
- Chimney: S.S double neck chimney (50cm+50cm)

Dimension (WxH)

Product Size: 900φX(500 X 500) mm

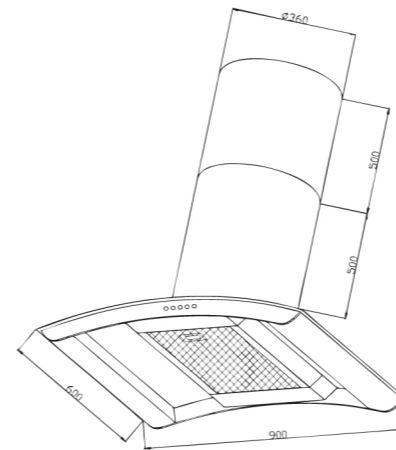


Installation Diagram

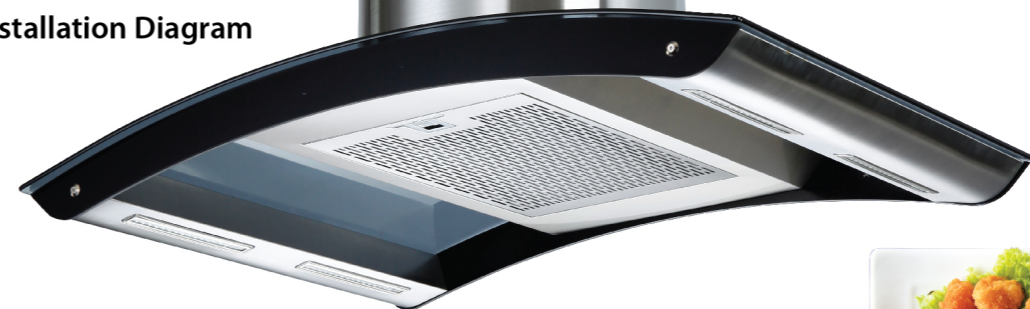
RANGE HOODS

NEW INNOVATION

CSI 9091
Island hood
(center hood)



Installation Diagram



Features

- Finish: Curved glass shape, S.S body, tempered glass.
- Control: 3 speed, double side touch panel
- Filter: S.S filter, S.S oil cup
- Motor: Dual suction motor (2x180w)
- Noise: ≤56db
- Lamp: 4 leds
- Chimney: S.S double neck chimney (50cm+50cm)

Dimension (WxDxH)

Product Size: 900x600 x (500x500) mm



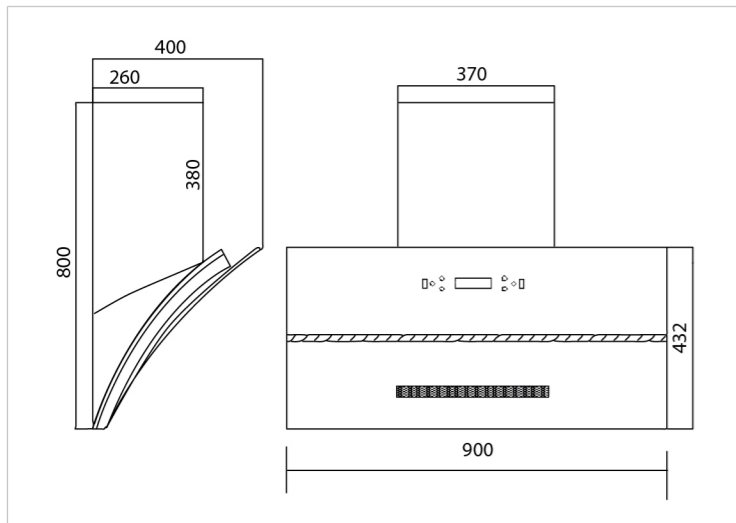
RANGE HOODS

NEW INNOVATION

designers series hood



CSK 2092
wall mounted hood



Installation Diagram

Features

- Finish:** 201 S.S body, front full tempered glass
- Control:** 3 speed, touch panel, automatic open
- Sensor:** Motion sensor
- Filter:** Stainless steel filter, S.S oil cup
- Lamp:** 1 led (3w)
- Noise Level:** ≤56db
- Motor:** 203w
- Chimney:** S.S square neck

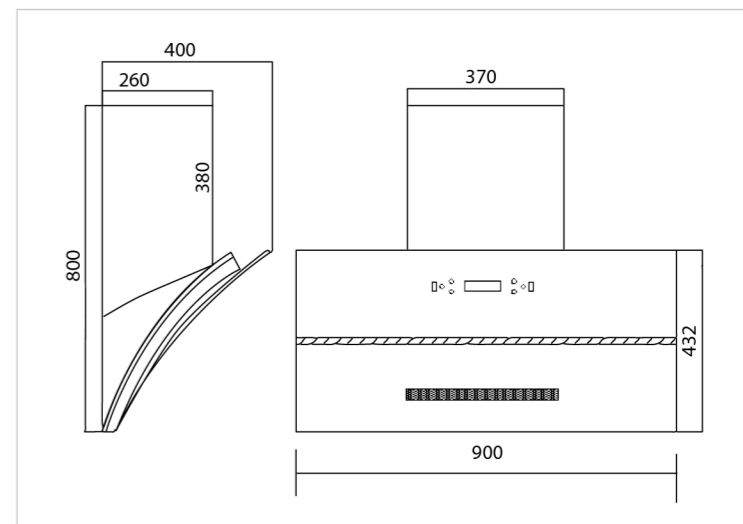
Dimension (WxDxH)

Product Size: 900 X400 X 800 mm

designers series hood



CSK 3092
wall mounted hood



Installation Diagram (Large)

Features

- Finish:** 201 S.S body, front full tempered glass
- Control:** 2 speed, touch panel, automatic open
- Filter:** S.S filter, S.S oil cup
- Motor:** Dual suction motor (2x180w)
- Noise Level:** ≤56db
- Lamp:** 1 led (3w)
- Chimney:** S.S square neck

Dimension (WxDxH)

Large Size: 900 X400 X 800 mm
Medium Size: 750 X400 X 800 mm

CSK 4092 wall mounted hood

designers series hood



Features

Finish: 201 S.S body, front tempered glass

Control: 2 speed, touch panel

Sensor: Motion sensor

Filter: S.S filter, S.S oil cup

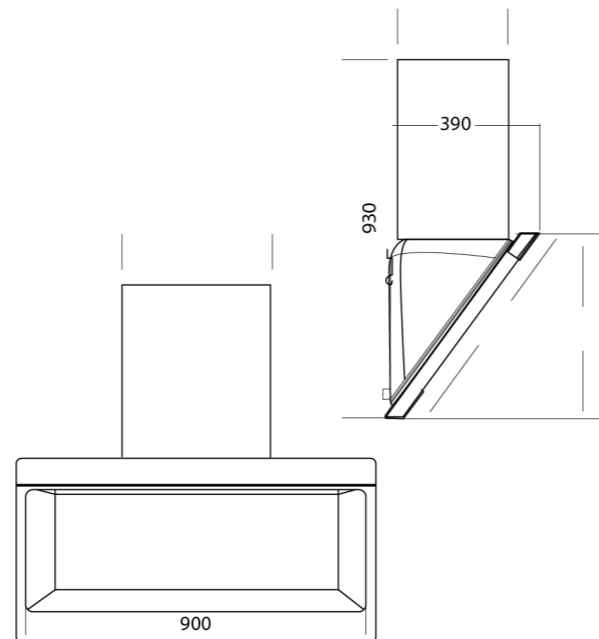
Motor: Dual suction motor (2x180w)

Noise Level: ≤56db

Lamp: 1 led (3w)

Dimension (WxDxH)

Product Size: 900 X390 X 930 mm



Installation Diagram



CSK T3 900 wall mounted hood



Features

Finish: S.S.T type body, front full tempered glass

Control: 3 speed, touch panel (size: 900x80mm)

Sensor: Motion sensor

Filter: Double layer baffle cone filter

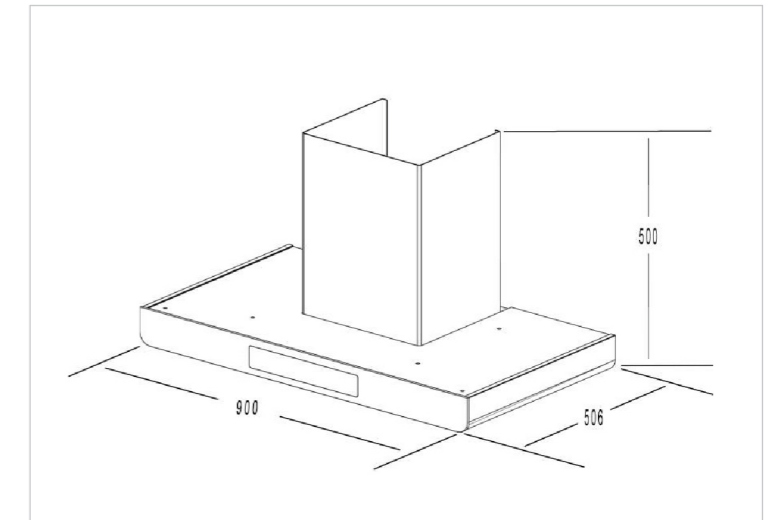
Motor: Copper double bearing motor

Lamp: 8 bulbs

Chimney: S.S chimney & metal wind cabinet

Dimension (WxDxH)

Product Size: 900 X506 X 500 mm



Installation Diagram

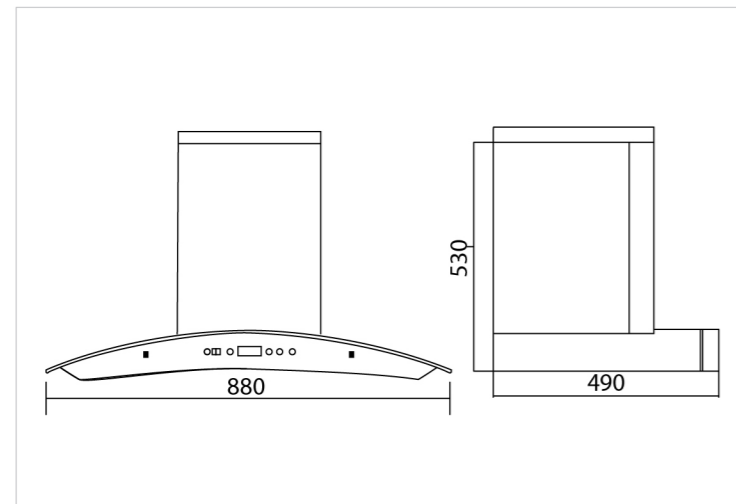
RANGE HOODS

NEW INNOVATION

CSK 7000/ 7700 wall mounted hood

Features

- Finish: 201 S.S black coated body
- Tempered glass(6mm)
- Control: 3 speed, touch panel with display
- Sensor: Motion sensor
- Auto Clean: Self clean operation
- Filter: 2 layer S.S boat filter, S.S oil cup
- Motor: 203w Noise Level: ≤56db
- Lamp: 2 leds (1.5wx2)
- Chimney: Black coated S.S square neck



Installation Diagram

Dimension (WxDxH)

CSK 7000 Size: 880X490X530 mm
 CSK 7700 Size: 710X490X530 mm



CSK 6000 wall mounted hood

Features

- Finish: 201 S.S black coated body,
- Tempered glass(6mm)
- Control: 3 Speed, touch panel with display
- Sensor: Motion sensor
- Filter: S.S slant baffle cassette filter, S.S long oil cup
- Motor: 203w
- Noise level: ≤56db
- Lamp: 2 leds (1.5wx2)
- Chimney : Black coated S.S square neck

Dimension (WxDxH)

Product Size: 880 X490X530 mm

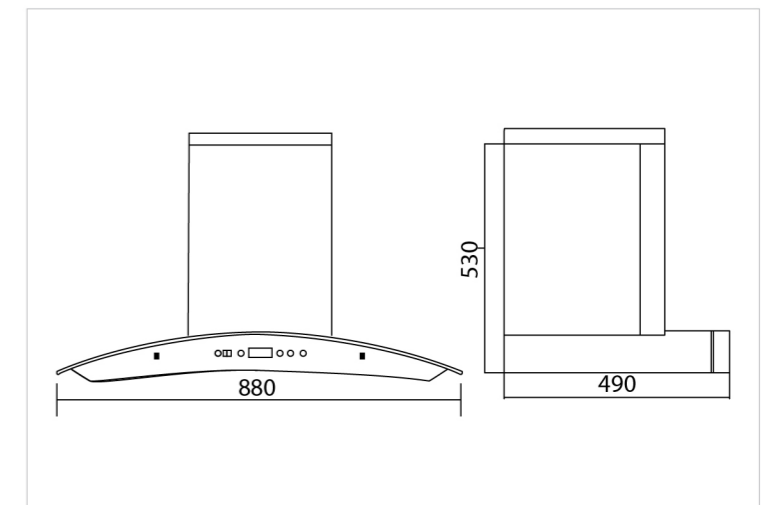


RANGE HOODS

NEW INNOVATION



Installation Diagram





RANGE HOODS

NEW INNOVATION



CSK 5000/ 5700 wall mounted hood

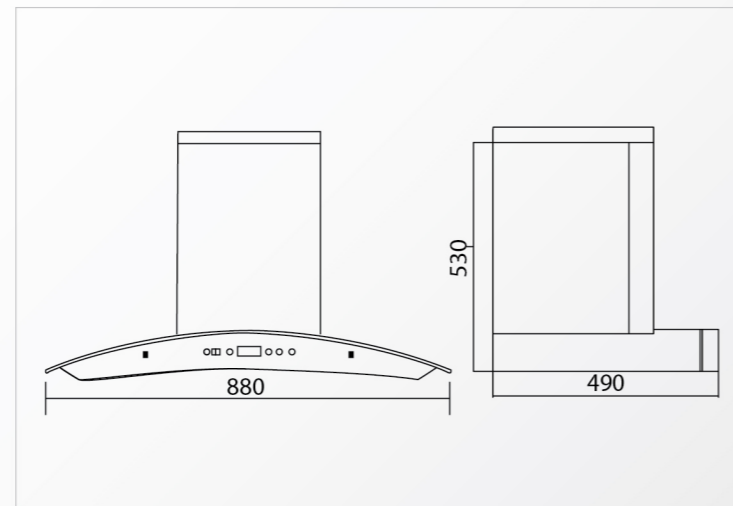
Features

- Finish : 201 S.S black coated body,
Tempered glass(6mm)
- Control: 3 speed, touch panel with display
- Sensor: Motion sensor
- Auto Clean: Self clean operation
- Filter: S.S boat filter and S.S oil cup
- Motor: 203w Noise Level: ≤56db
- Lamp: 2 leds (1.5wx2)
- Chimney: Black coated S.S round neck

Dimension (WxDxH)

- CSK 5000 Size: 880X490X530 mm
- CSK 5700 Size: 710X490X530 mm

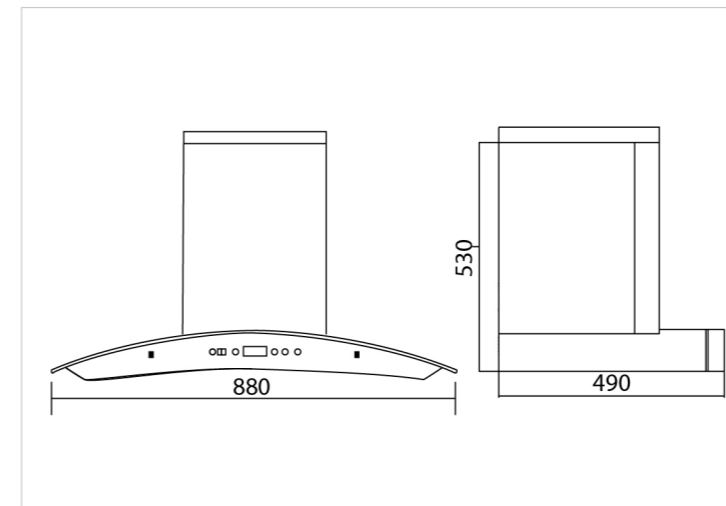
Installation Diagram (CSK 5000)



CSK 4000 wall mounted hood



Installation Diagram



Features

- Finish: 201 S.S black coated body,
Tempered glass(6mm)
- Control: 3 speed, touch panel with display
- Filter: S.S boat filter and S.S long oil cup
- Motor: 203w
- Noise Level: ≤56db
- Lamp: 2 leds (1.5wx2)
- Chimney: Black coated S.S round neck

Dimension (WxDxH)

Product Size: 880X490X530 mm

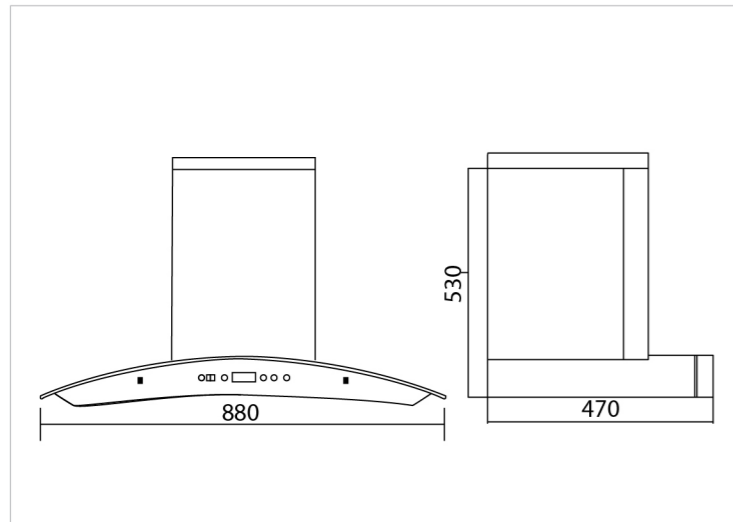
RANGE HOODS

RANGE HOODS

NEW INNOVATION



HD U3 20 wall mounted hood



Installation Diagram (Large)

Features

- Finish: 201 S.S body, Tempered glass(6mm)
- Control: 3 Speed, touch panel with display
- Sensor: Motion sensor
- Filter: Cassette filter
- Motor: 203w
- Noise level: ≤56db
- Lamp: 9 leds

Dimension (WxDxH)

- Large Size: 880 X470 X 510 mm
- Medium Size: 735 X470 X 510 mm
- Small Size: 595 X470 X 510 mm



HD U3 wall mounted hood

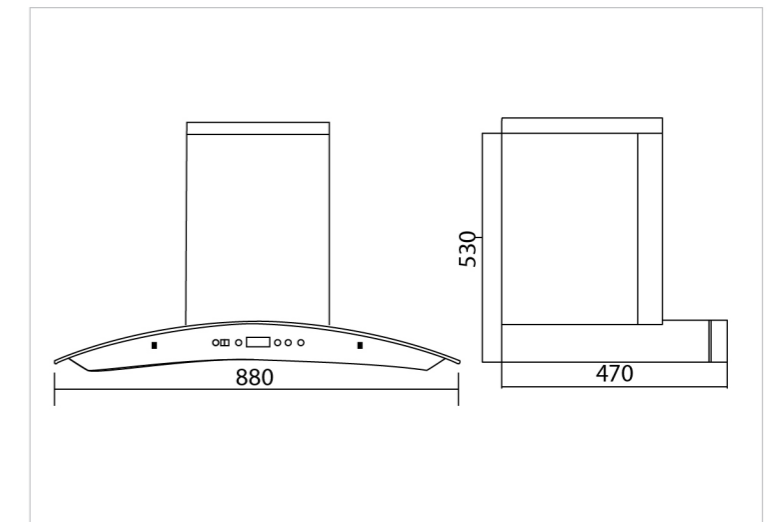


Features

- Finish: 201 S.S body, Tempered glass(6mm)
- Control: 3 Speed, touch panel with display
- Sensor: Motion sensor
- Filter: Cassette filter
- Motor: 203w
- Noise level: ≤56db
- Lamp: 9 leds

Dimension (WxDxH)

- Large Size: 880 X470 X 510 mm
- Medium Size: 735 X470 X 510 mm
- Small Size: 595 X470 X 510 mm



Installation Diagram (Large)

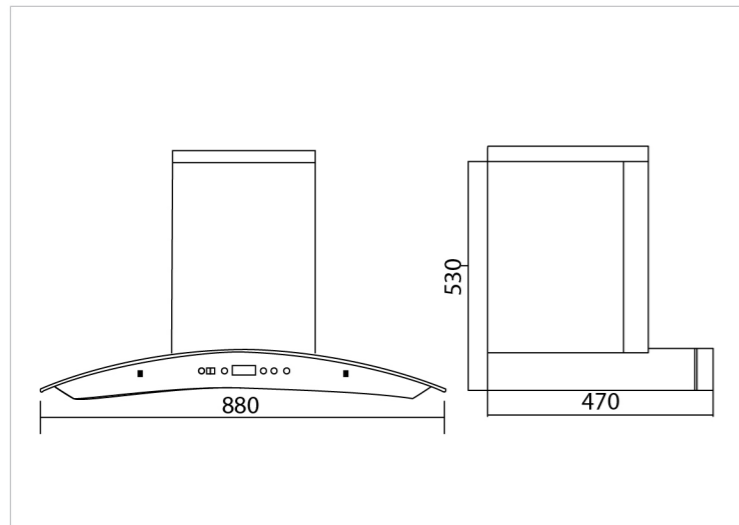


RANGE HOODS

NEW INNOVATION



HD U2
wall mounted hood



Installation Diagram (Large)

Features

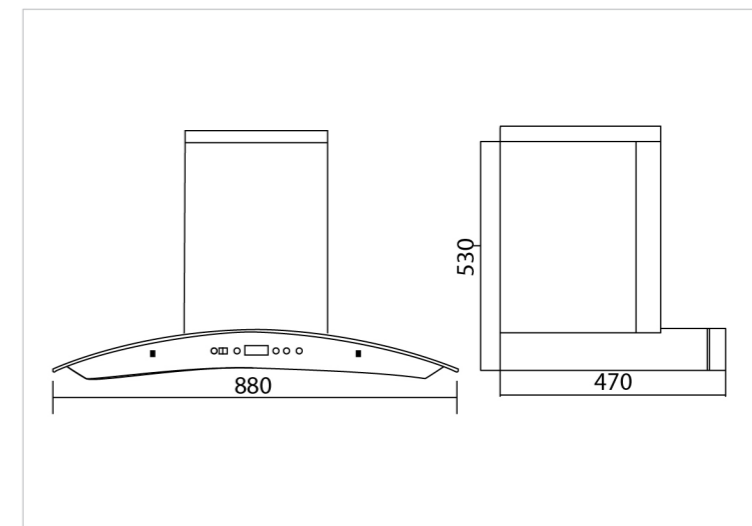
- Finish: 201 S.S body, Tempered glass(6mm)
- Control: 2 Speed, Manual control panel
- Filter: Cassette filter
- Motor: 203w
- Noise level: ≤56db
- Lamp: 9 leds

Dimension (WxDxH)

- Large Size: 880 X470 X 510 mm
- Medium Size: 735 X470 X 510 mm
- Small Size: 595 X470 X 510 mm



HD U1 20
wall mounted hood



Installation Diagram (Large)

Features

- Finish: 201 S.S body
- Tempered glass(6mm)
- Control: 2 Speed, Manual control with display
- Filter: Cone filter
- Motor: 203w
- Noise level: ≤56db
- Lamp: 9 leds

Dimension (WxDxH)

- Large Size: 880 X470 X 510 mm
- Medium Size: 735 X470 X 510 mm
- Small Size: 595 X470 X 510 mm



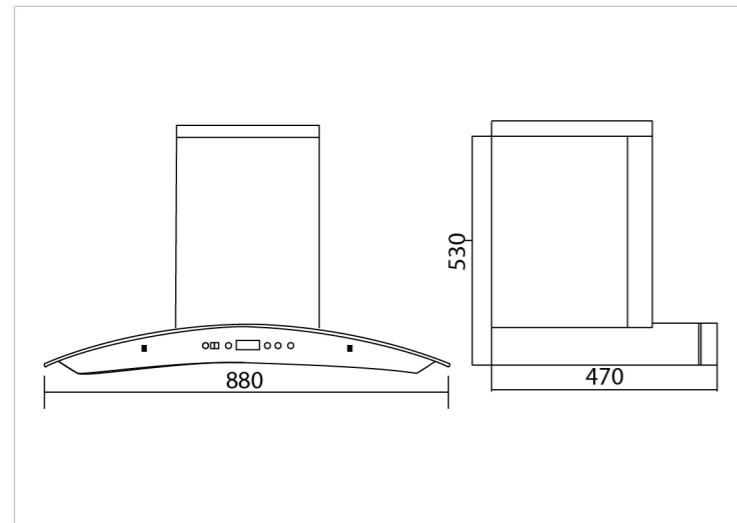
RANGE HOODS

NEW INNOVATION



HD U1

wall mounted hood



Installation Diagram (Large)

Features

Finish: 201 S.S black coated body,

Tempered glass(6mm)

Control: 2 Speed, Manual control panel

Filter: Cone Filter

Motor: 203w

Noise level: ≤56db

Lamp: 9 leds

Dimension (WxDxH)

Large Size: 880 X470 X 510 mm

Medium Size: 735 X470 X 510 mm

Small Size: 595 X470 X 510 mm

