

Built-in-Microwave Oven

NEW INNOVATION

# BMO 25 E

## Built-in-Microwave Oven

### Features

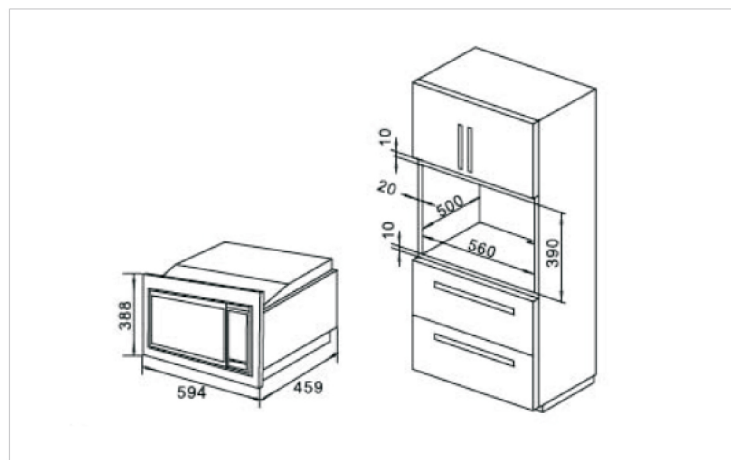
- Silver & black appearance
- 25 liters capacity
- Grill function
- Digital control & timer
- 8 auto cooking menus
- Child safety lock
- Speedy cooking
- Stainless steel cavity and trim kit
- Silver housing cabinet



### Dimension (WxDxH)

Product Size: 594x459x388

### Dimension chart



Cutting Size (WxDxH) 560X500X390-mm



# BMO 26 T

## Built-in-Microwave Oven

Built-in-Microwave Oven

NEW INNOVATION

### Features

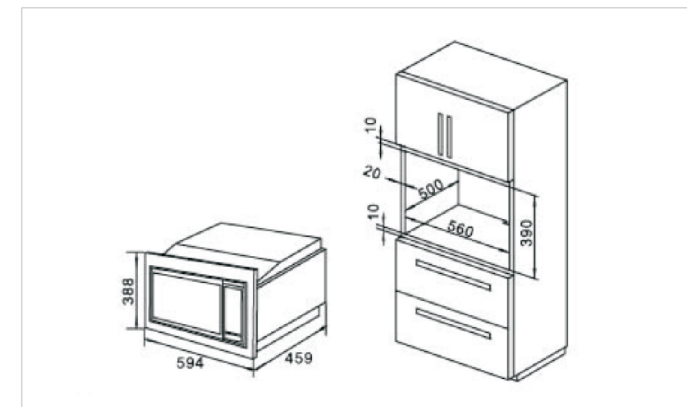
- Full black appearance
- 25 liters capacity
- Grill function, digital control & timer
- 8 auto cooking menus
- Child safety lock
- Speedy cooking
- Stainless steel cavity and trim kit
- Silver housing cabinet



### Dimension (WxDxH)

Product Size: 594x459x388 mm

### Dimension chart



Cutting Size (WxDxH) 560x500x390



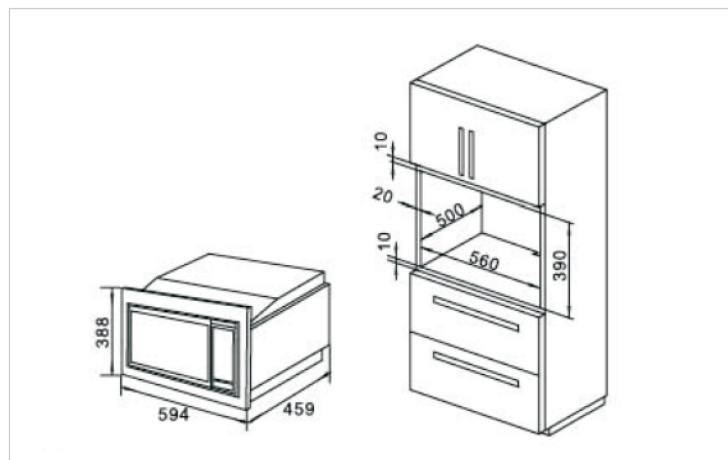
## BMO 27 D Built-in-Microwave Oven

### Features

- Full black appearance
- 25 liters capacity
- Grill function
- Digital control & timer
- 8 auto cooking menus
- Child safety lock
- Speedy cooking
- Stainless steel cavity and trim kit
- Silver housing cabinet



### Dimension chart



Cutting Size (WxDxH) 560X500X390-mm

### Dimension (WxDxH)

Product Size: 594x459x388 mm



## BMO 1951 BL Built-in-Microwave Oven

Built-in-Microwave Oven

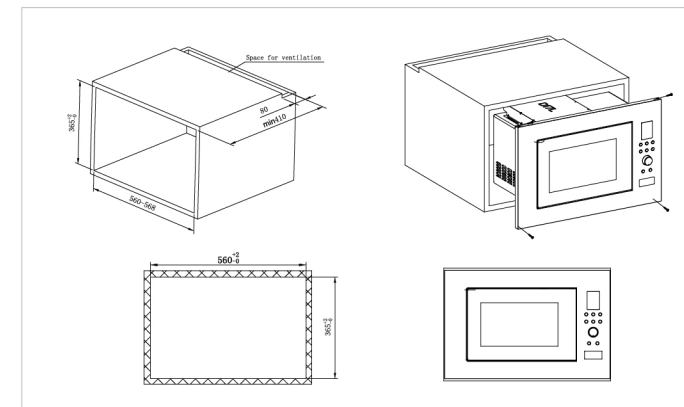
NEW INNOVATION



### Features

- Full black appearance
- 25 liters capacity
- Grill function
- Digital control & timer
- Led display
- Stainless steel frame kit
- Stainless steel cavity
- Push open door

### Dimension chart



Cutting Size (WxDxH) 560x410x365



### Dimension (WxDxH)

Product Size: 595x391x390 mm

**Built-in-Microwave Oven**

NEW INNOVATION

# BMO 2010 Built-in-Microwave Oven

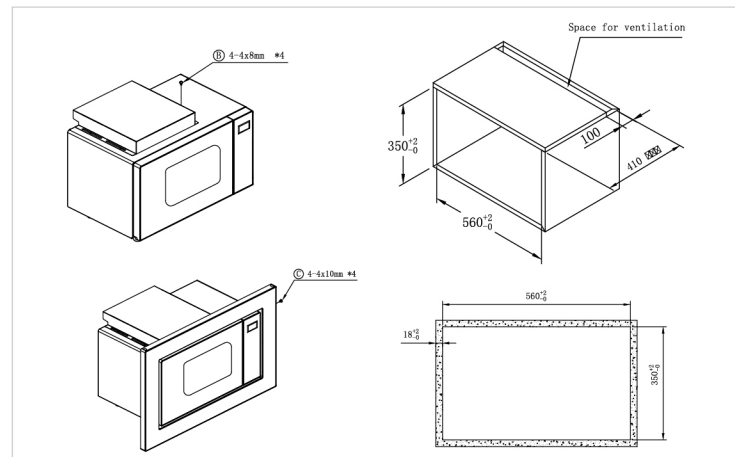
## Features

- Stainless steel body
- 25 liters capacity
- Grill function
- Digital control & timer
- Led display
- Stainless steel frame kit
- Push open door



**Dimension (WxDxH)**  
Product Size: 595x391x390 mm

## Dimension chart



**Cutting Size (WxDxH) 560x410x350 mm**

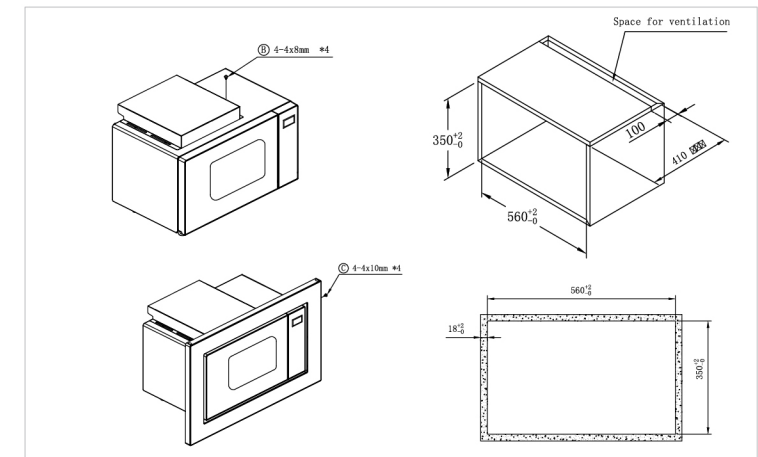
# BMO 2017 SS Built-in-Microwave Oven

## Features

- Stainless steel appearance
- 25 liters capacity
- Grill function
- Digital control & timer
- Led display
- Stainless steel frame kit
- Stainless steel cavity
- Push open door



**Dimension (WxDxH)**  
Product Size: 590x410x390 mm



**Cutting Size (WxDxH) 560x410x350 mm**

# BMO 18-G

## Built-in-Microwave Oven

### Features

- Stainless steel body
- 20 liters capacity
- Grill function & digital control
- 60 minute mechanical timer led display
- 5 microwave power level
- Turntable glass tray & defrost setting
- Push button door
- S.S frame and button

Built-in-Microwave Oven

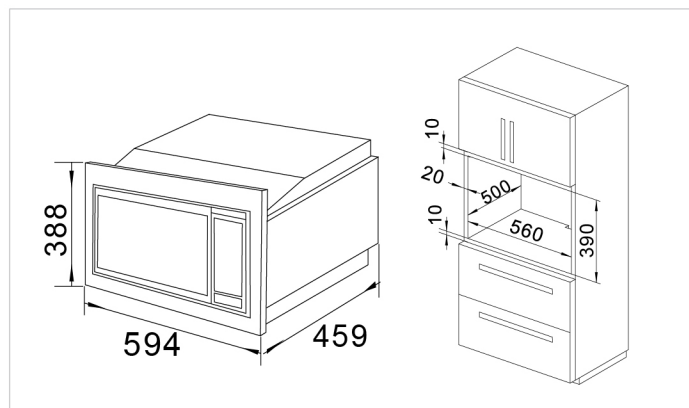
NEW INNOVATION



### Dimension (WxDxH)

Product Size: 594x459x388 mm

### Dimension chart



Cutting Size (WxDxH) 560x500x390

