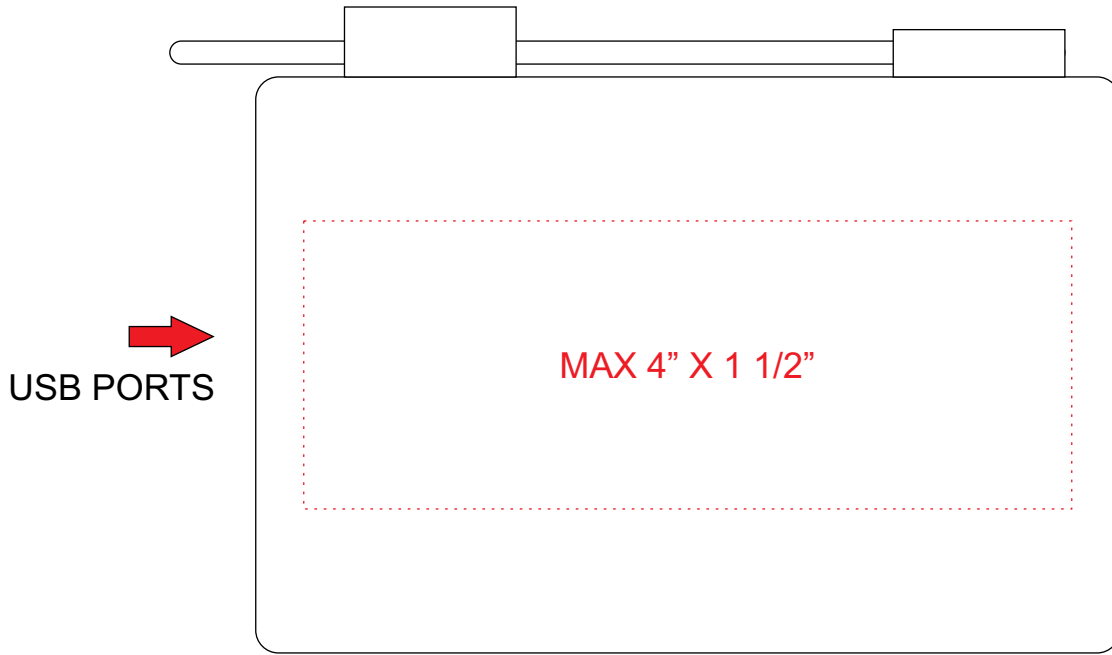


SIDE 1 Primary



SIDE 2 Secondary