

**DENSO**  
DENSO WAVE

SCANNER

# GT20

SERIES



**DURABLE,**  
**HEAVY-DUTY**  
**DESIGN**



\*For USB and RS232 model only  
\*\*For Bluetooth model only

# Outstanding Durability Even under Extreme Conditions

## Rugged Build Quality



### Drop impact resistance

Highest standard drop test in the class of 60 drops of 2m.  
The GT20 has a highly durable design to withstand large impact giving peace of mind in the harschest of environments.



### Environmental resistance

**IP65**  
The GT20 has an IP65 rating protecting it against water and dust ingress and so it can confidently be used in wet and dirty conditions.



### Operating temperature range

**Between -20 and 50°C**  
GT20 can be used in a wide variety of environments including cold storage facilities and outdoors in all seasons providing operators with a huge range of operating capabilities.

## Outstanding scanning performance



### High-speed reading

The GT20 utilises a powerful reading algorithm created exclusively by DENSO that delivers high speed, accurate first time read performance. Smooth reading that ensure efficient operations.



### LCD screen reading

The original LED lighting control function enables smooth reading of codes displayed on a liquid crystal screen.  
GT20 can read QR Codes displayed on a PC or tablet screen, expanding the range of use for customers.



### Poorly printed label reading

Efficient reading of damaged, dirty and poorly printed barcodes.  
GT20 has the capability to read barcodes that have been damaged, are dirty, faded or poorly printed ensuring operations can continued and improving productivity.

## Additional features!!

### Point Scan Mode

GT20 can read only the targeted code indicated by the central cross even when multiple codes exist in the reading area.



\*2D code models only

### One-time reading of multi-row barcodes

GT20 can read a barcode with up to three rows at a time.



\*2D code models only

### Concatenated QR Code reading

GT20 can read a concatenated QR Code at one time.



\*2D code models only



## Outstanding operability



### Confirmation of reading

**Double LED, buzzer and vibrator incorporated**  
GT20 allows secure confirmation by "light," "sound" and "vibration" even in noisy conditions.



### Lightweight Design

**Lightweight body weighing 180 g\***  
The lightweight and compact design can reduce fatigue when used for long periods. Its user-friendly body is highly durable yet lightweight.

\* 230 g for Bluetooth® models



### Marker

**With an area guide marker**  
The marker makes it easy for users to identify the reading area, enabling smooth operations.

\* 2D code models only



### Suspensible

GT20 has a hook so that it can be hung from the ceiling together with other jigs when used at plant lines, etc.



### Code lock\*

**The connector cover, which is resilient against becoming detached and breaking, firmly locks the cord.**  
DENSO have designed a high quality, durable and secure connection between cable and scanner minimizing risk of damage or failure in its operating environment.

\* USB and RS-232C models only

## Diversified functions



### Magic Key

Work can become more efficient by allocating a convenient function to the Magic Key.



Data re-transfer mode	Previously sent data is re-transferred every time the Magic Key is pressed.
Designated character transfer mode	Predetermined characters are sent every time the Magic Key is pressed.
Read code switching mode (GT20Q only)	Two predetermined read codes are alternated every time the Magic Key is pressed.



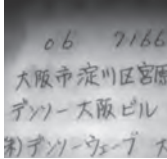
### Configuration software



**Free software applications "Scanner Setting" and "Scanner Setting 2D" are included, allowing easy configuration of the reading condition, data format, etc. depending on your requirements.**  
These applications ensure quick and easy configuration.



### Image capture



**Image shooting possible**  
The powerful optical scanner is capable of capturing and transmitting images to the host ensuring damage to goods or unexpected products can be recorded.

\* 2D code models only



### Bluetooth® available\*

**Connectable to a tablet or a smart phone.**  
Bluetooth® increases operating flexibility by linking with smart devices and through cordless operation.

\* For Bluetooth® model only



### Equipped with data collation and edit functions Development of a dedicated application is not required

**Equipped with a function to compare the registered master data with the read data**  
This function enables easy establishment of systems for non-conforming product checking and incorrect labeling checking. Furthermore, the simplified programming software application "ADF Script" makes it easy to edit data freely, including data sorting, extraction and conversion.

\* ADF Script is supported by 2D code models only.

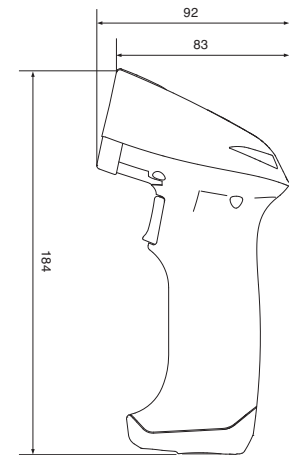
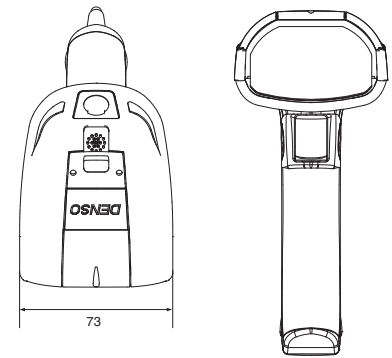
## GT20 series specifications

Type	Method	Barcode model			2D Code model			
		(USB model) GT20B-SM (U)*1	(RS-232C model) GT20B-SM (R)	(Bluetooth® model) GT20B-SB	(USB model) GT20Q-SM (U)*1	(RS-232C model) GT20Q-SM (R)	(Bluetooth® model) GT20Q-SB	
Scanner	Method	Advanced Scan Plus (CCD)			Area Sensor			
	Readable codes	2D Code	—			QR code, SQRC, iQRcode, Micro QR code, Data Matrix (ECC200), PDF417, Micro PDF417, Maxi code, Aztec, GS1 Composite		
		Barcode	EAN-13/8 (JAN-13/8), UPC-A/E, UPC/EAN (with add-on), Interleaved 2 of 5 (ITF), Standard 2 of 5 (STF), CODABAR (NW-7), CODE32, CODE39, CODE93, CODE128, GS1-128 (EAN-128), GS1 Databar (RSS)			EAN-13/8 (JAN-13/8), UPC-A/E, UPC/EAN (with add-on), Interleaved 2 of 5 (ITF), Standard 2 of 5 (STF), CODABAR (NW-7), CODE39, CODE93, CODE128, GS1-128 (EAN-128), GS1 Databar (RSS)		
	Minimum resolution	2D Code	—			0.167 mm		
		Barcode	—			0.125 mm		
	Marker	—			Area guide marker			
	PCS value	—			not less than 0.30			
	Angle	—			±50°C			
	Skew angle	—			360°			
	Image capture	—			BMP, JPEG output, thumbnail view			
Scanning confirmation	Confirmation LED (Blue, Green, Red), vibrator, Buzzer (with 3-level volume control and 3-level tone control)							
Communication interface	Method	USB	RS-232C	Bluetooth® Ver. 2.1+ EDR based class 2	USB	RS-232C	Bluetooth® Ver. 2.1+ EDR based class 2	
	Connector	USB connector (A type)	Dsub-9S	—	USB connector (A type)	Dsub-9S	—	
	Profile	—	—	SPP, HID	—	—	SPP, HID	
	Cable	2 m	2 m, 5 m	—	2 m	2 m, 5 m	—	
Power	Supply	USB port *2	Separate AC adaptor	Built-in battery	USB port *2	Separate AC adaptor	Built-in battery	
	Operating time*3	—	—	100 hours	—	—	28 hours	
Environment requirements	Protection rating	—			IP65			
	Drop resistance*4	—			2.0 m x 60 times on a concrete floor			
	Operating temperature*5	—			-20~50°C			
	Operating humidity	—			10 to 90% RH (without dew)			
Weight	Approx. 180 g (excl. cable)		Approx. 230 g (incl. battery)	Approx. 180 g (excl. cable)		Approx. 230 g (incl. battery)		

\*1: Two methods are supported: a USB keyboard interface and a USB-COM interface. The factory default is a USB keyboard interface for GT20B and a USB-COM interface for GT20Q. \*2: Please check the connection beforehand because this type of connection may not be possible depending on the model of the PC or USB hub. \*3: When a code is read every 5 seconds. \*4: Result obtained in a test under regular temperature is shown and not meant as a guarantee. \*5: For the Bluetooth® model, 0 to 40°C during battery charging

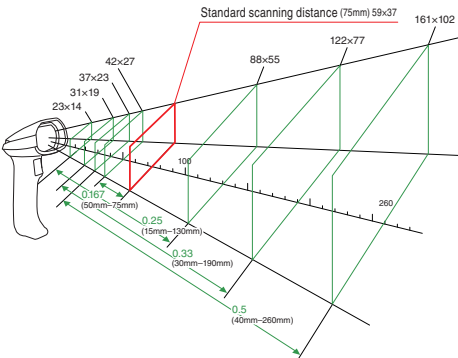
## Dimensions

Unit: mm

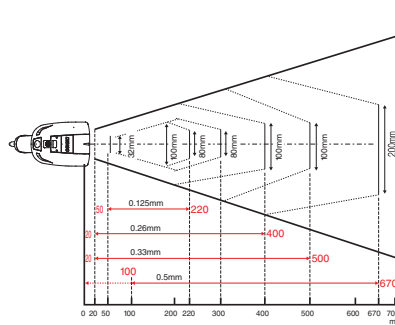


## Scanning performance

### 2D code model



### Barcode model



## Accessories

<USB model/RS-232C model>

Scanner Interface cable AC adaptor (RS-232C models only) Operation Guide Instruction manual

<Bluetooth® model>

Scanner (with battery) Battery charger AC adaptor Hand strap Operation Guide Instruction manual

\* A communication unit (BA20-RU/BA11-RKU) is sold separately.

## Optional accessories (separately sold)

- S-GT20 (Stand)
- S-GT21 (Stand)\*
- H-GT10 (Hands-free stand)
- H-GT11 (Hands-free stand)
- H-GT20 (Hands-free stand)
- H-GT21 (Hands-free stand)
- CH-GT20L (Charger)
- NSBHT-1300 (Neckstrap)
- K-GT10 (Waist case)
- BA20-RU/BA11-RKU (Bluetooth® communication unit)
- \* S-GT21 can be put on a table or hung on the wall.

## Software (separately sold)

- USB driver [Active USB-COM port driver]
- Setting software [Scanner Setting (for barcode models)]
- [Scanner Setting 2D (for 2D code models)]
- [SQRC Setting (for 2D code models)]
- [BA Setting (for Bluetooth® models)]
- Keyboard emulation software [QR\_kbif]

Items with this mark can be downloaded on our webpages for free.

## DENSO WAVE EUROPE GmbH

Parsevalstr. 9 A  
D-40468 Düsseldorf  
☎ +49 211 540 138 40  
✉ info@denso-wave.eu

For more information, please visit our website

[www.denso-wave.eu](http://www.denso-wave.eu)

