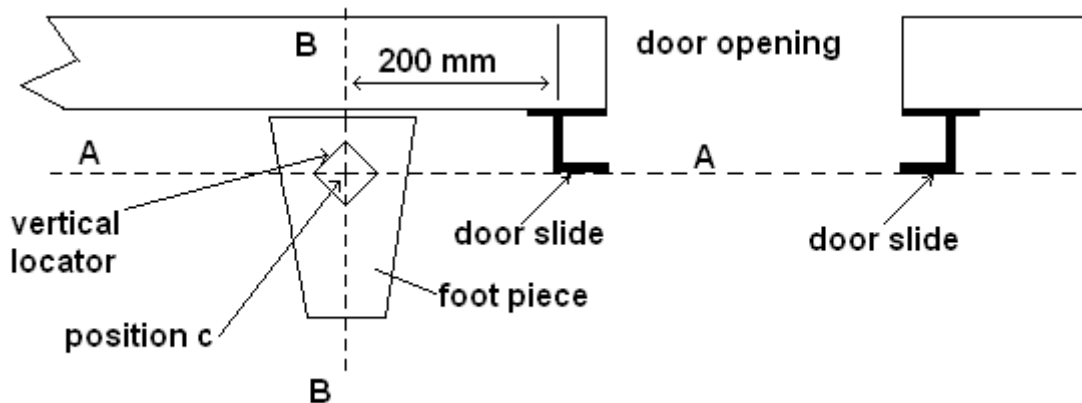


Section 1: Installation Instructions

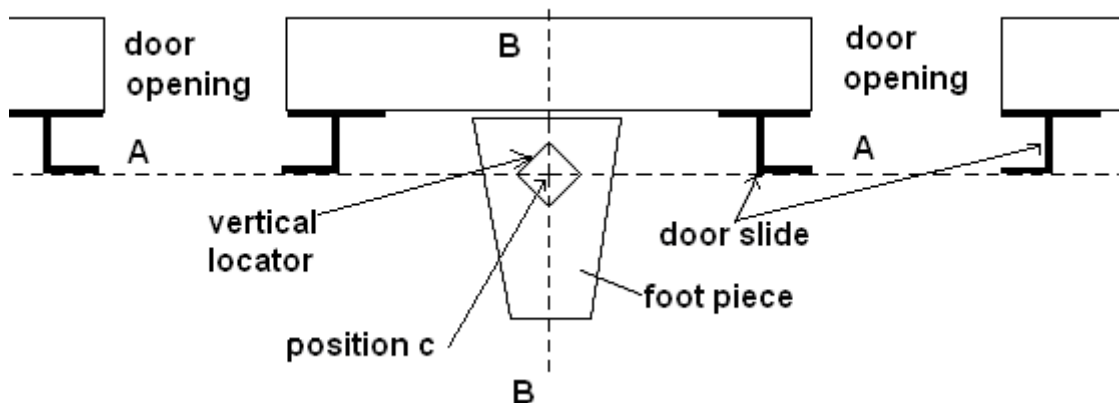
Mounting the foot piece For Single Door Application

- Draw a line A-A on floor using both door slides as reference.
- Draw line B-B on floor (200mm from door slide.)
- Place the foot piece over the drawn lines so that the line cuts through the vertical pole and 200mm mark in center of pole. (Position C)
- Mark and drill holes in floor and mount foot piece with coach screws and wall plugs. (provided)

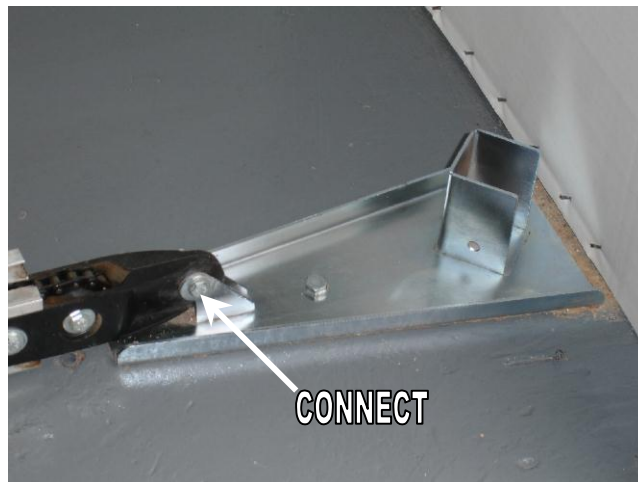


For Double Door Application

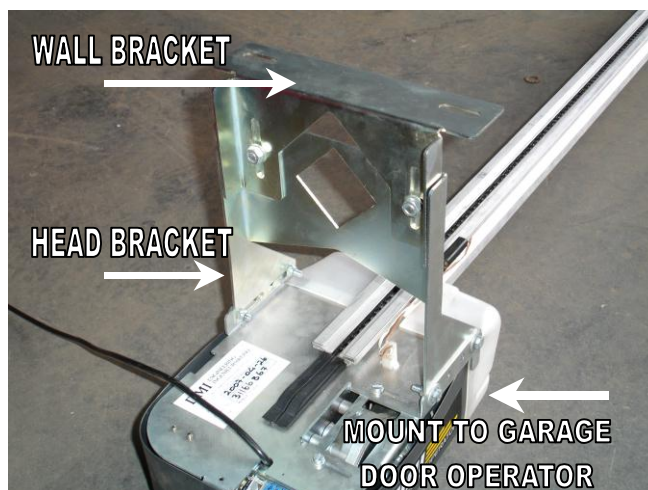
- Using both inner door slides as reference, draw a line A-A.
- Draw a line B-B on floor halfway between inner door slides.
- Place the foot piece over the drawn lines so that the line cuts through the vertical pole and halfway mark in center of pole. (Position C).
- Mark and drill holes using a 10mm masonry drill bit and mount foot piece with coach screws and wall plugs. (provided)



Lay motor down on the floor and connect end of garage door motor to foot piece. **See picture**

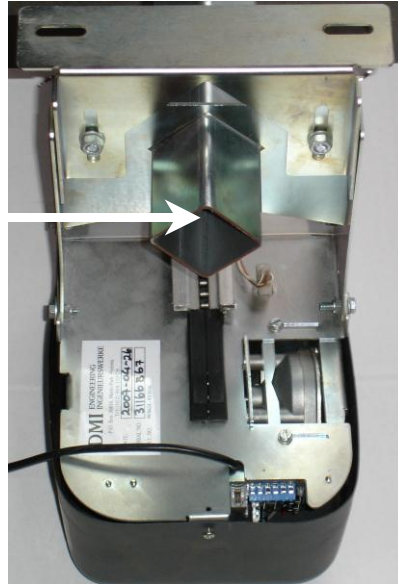


- Mount the head bracket and wall bracket to each other and then to the garage door motor with the bolts and nuts provided. **See picture below.**



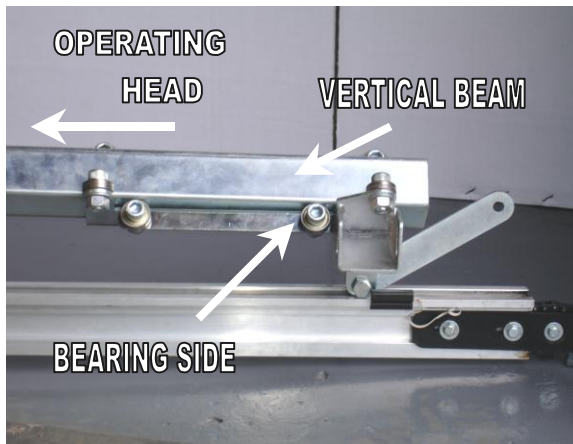
- Slide the vertical support beam through the square opening in the head brackets. **See picture**

**VERTICAL
SUPPORT**

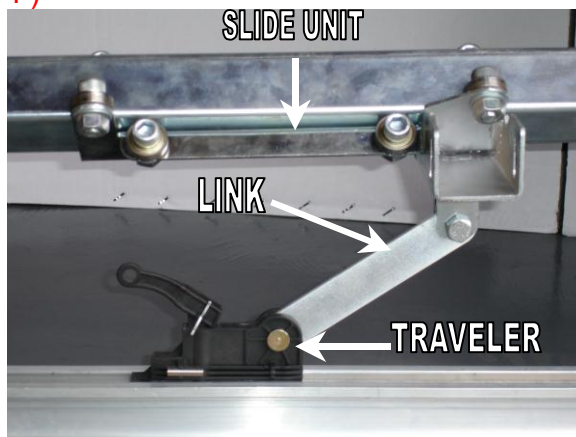


Section 2: The Stabilizer Slide Unit

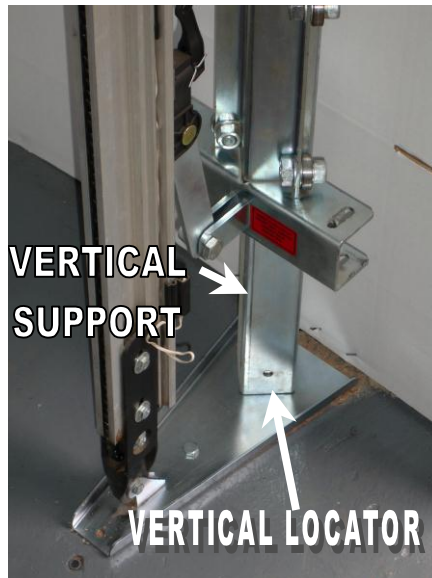
Position the Stabilizer slide unit (Pre Assembled) by sliding it onto the vertical beam with bearing side towards operating head as illustrated below. In rare occasions it might be necessary to adjust the bearings for a tight fit.



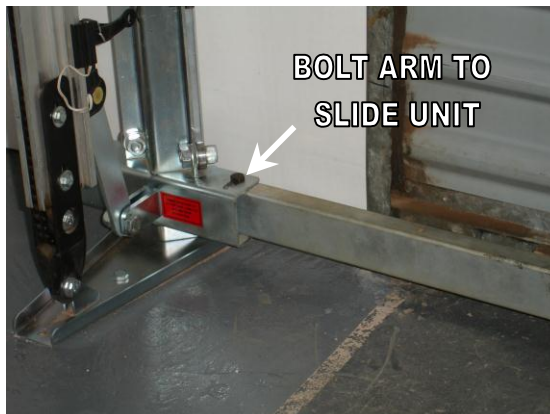
- Now connect the slide unit to the garage door motor traveller by using the link. (See picture on page 4)



- Place assembly in vertical position and locate vertical support beam over vertical locator on foot piece and fix into position. See picture below.



- Move garage door into the closed position and bolt arm to slide unit. See picture below.



- Lift garage door together with slide unit in an upward position. See picture below.



- The horizontal arm will hold the vertical support beam in place so that the wall bracket can be placed against the wall in order to mark position of holes.
 - Drill holes and mount wall bracket against wall.
 - Tighten bolts securing head bracket to wall bracket.
 - The garage door should be able to slide up and down easily by hand or by means of GEMINI garage door motor.
 - Refer to garage door motor instruction manual for operating procedures.
- Mount the small wall