



BUILD

GARAGE DOORS



Garage
Doors



BUILD

GARAGE DOORS

Tel: 011 841 8800

Email: sales@ibuild-mtg.co.za

Website: www.ibuild-mtg.co.za



The IBuild Garage Door is a modern design with major technical improvements on the standard roll up door with upgraded strength and security. The Garage Door is suitable for Garages, Shop Fronts, Kiosks etc

Specifications (Standard Single Size)

Opening Height: 2100mm

Opening Width: 2400mm

Head Room: 390mm

Special door sizes can be manufactured on customer requests!

Construction

Standard panels are galvanised or galvanised pre-painted, pressed steel sheets of suitable thickness. Chromadek coloured panels are available in a range of colours.

Supporting posts and guides are manufactured from galvanised steel sheets of 1.0mm thickness

Centrally located lock and handle combination with locking bars on both sides of door for improved security and easy opening

Continuous polyurethane runners fitted to both sides of door curtain ensuring quiet, easy operation. No grease required on guides



BUILD

GARAGE DOORS

Tel: 011 841 8800

Email: sales@ibuild-mtg.co.za

What to look for in a Garage Door!

- * Efficient and durable
- * Strong and Secure
- * Space Saving
- * Attractive and Solid
- * Cost Effective
- * Low Maintenance



Why buy the IBuild Garage Door?

When the IBuild Garage door was designed, we looked at possible flaws in current door designs and have made technical changes to improve the product for longevity, ease of use and security.

The IBuild Garage Door also comes pre-packed with a tool pack required to fit the door and a detailed instruction manual, making the fitment of the door quick and easy.



The IBuild Garage Door Factory

The IBuild Garage Door factory was built and finalized in 2017 with the latest technology and equipment setup and can already produce more doors of higher quality per day than most competitors.

The Garage Door factory is located on the same premises as the Aluminium Window and Door factory at 6 Falkirk Road, Benoni

You are welcome to come and view our products in the showroom by appointment



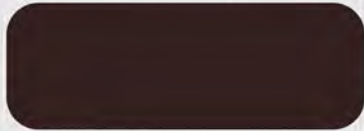


BUILD

GARAGE DOORS

Tel: 011 841 8800
Email: sales@ibuild-mtg.co.za

Garage Door Available Colours



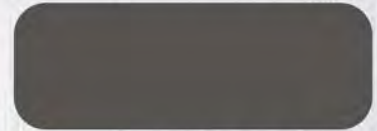
Buffalo Brown



Traffic Green



Galvanised



Charcoal Grey

IBuild Garage Door Motor

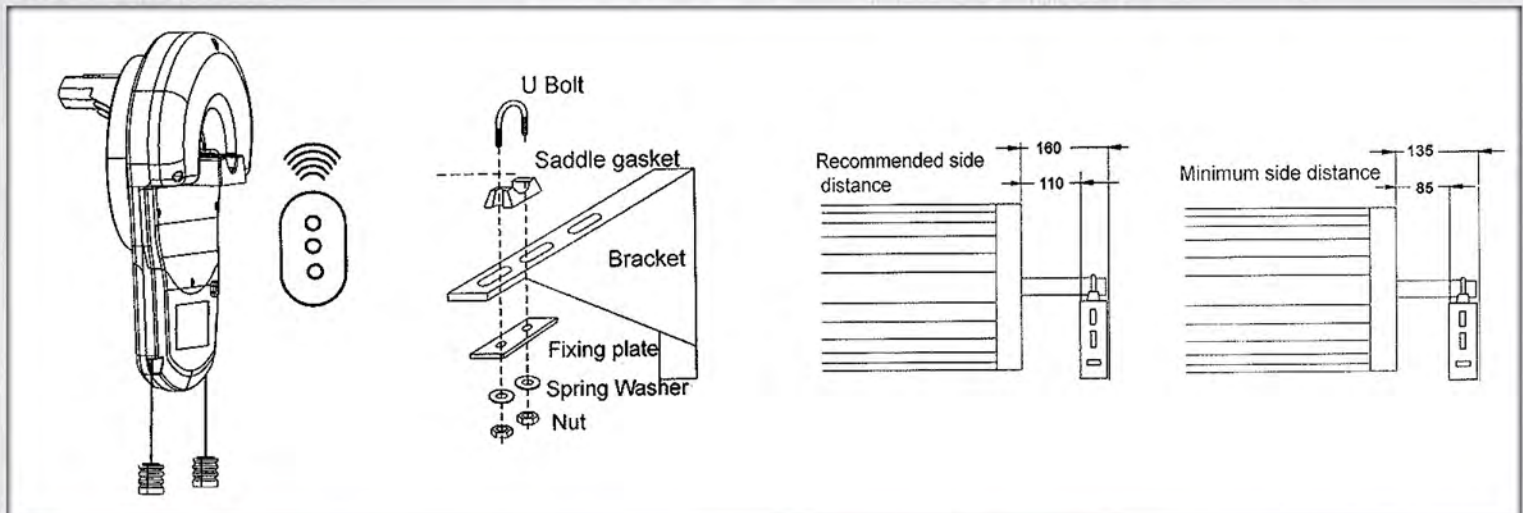
Main Features

- * Automatic Obstacle Detection
- * Photo Beam protection System
- * Remote Control Hopping Code
- * Electronic Travel
- * Soft Start and Stop
- * Automatic Close

Design

The IBuild Garage Door Motor has been designed to be space saving, secure, durable and to work as efficient and soft as possible.

The Garage door motor also has a U-Bolt that secures it to the bracket to ensure it stays intact



Other Features

- * Automatic limits positioning system
- * Auto courtesy light
- * Vacation Mode
- * Pet / Pedestrian Mode
- * Auto Close Mode
- * Manual operation
- * Easy access transmitter
- * Intelligent safety obstruction system

Optional Add-ons

- * Smart Solar compatible
- * Battery Backup compatible

Notes

The IBuild Garage Door Motor is compatible with any other brand of roll up garage doors

BUILD GARAGE DOORS

6 Falkirk Rd., Ext. 12, Benoni, 1501 Tel: 011 841 8800
 Website: www.ibuild-mtg.co.za Fax: 011 914 2329
 Email: sales@ibuild-mtg.co.za

HARDWARE INCLUDED

Remove small parts bag and guide rails from inside door roll

Small Parts Bag Includes



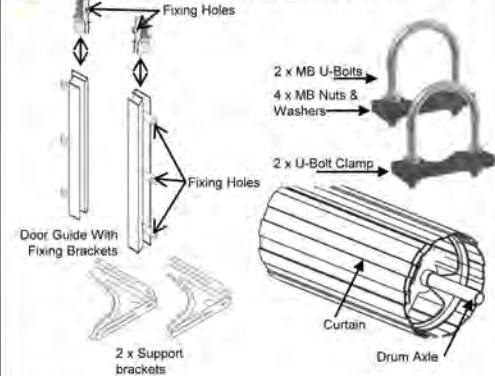
REQUIREMENTS



Check that you have these parts: 1 x 20mm clear nylon hose (6-8m long), 1 curtain fitted to drum axle, 2 support brackets, 2 door guide rails, 2 U-bolts with nuts and washers, 2 U-Bolt clamps, two 5x16mm bottom handle screws, 1 bottom-rail handle, 1 lock (filled on standard door), 1 lock face plate, 2 locking bars.

iBuild PACKAGE CONTAINS

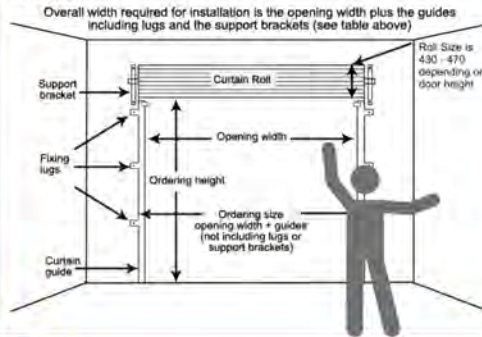
All components are necessary for installation



PREPARATION

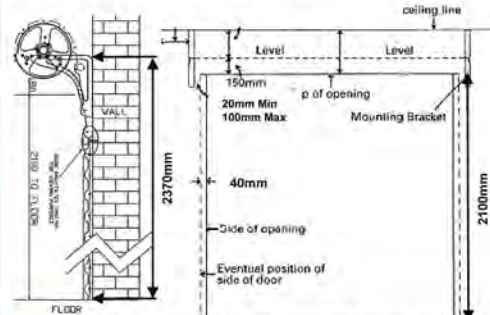
Remove all parts..

CURTAIN overlaps the opening on each side by 25mm for series 245/255 doors. A minimum of 75mm is required between the opening and the side wall. Mark the overlap of the curtain to facilitate the fixture of brackets



AFFIXING MOUNTING BRACKETS

Brackets must be level with each other. Firmly secure one of the mounting brackets with appropriate fixings for the material you are fixing to. It is important that the outside face (smooth side) of the angle brackets faces the side wall of the garage.

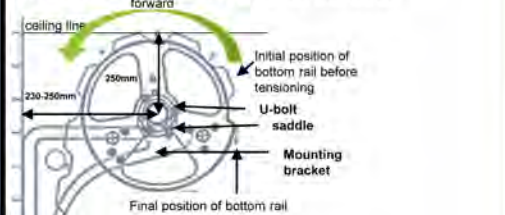


DO NOT CUT CLEAR PLASTIC WRAPPING

POSITIONING THE DOOR

Centre the axle approximately 250mm from the front wall, ensuring that the door is centralized with the opening

N.B If the side clearance for the axle is insufficient, cut EACH END of the axle.



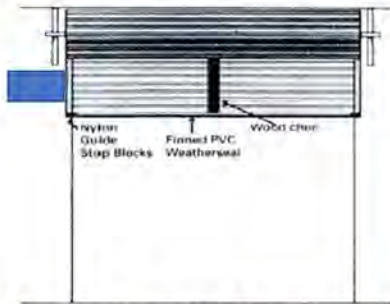
Tension should now be applied to the spring by rotating the door about 3 times in a forward direction for the series 245/255 as shown.

DO NOT CUT CLEAR PLASTIC WRAPPING

UNROLLING THE DOOR

N.B. THE DOOR MAY HAVE A STRONG TENDENCY TO RISE WHICH, IF UNCONTROLLED, CAN CAUSE DAMAGE.

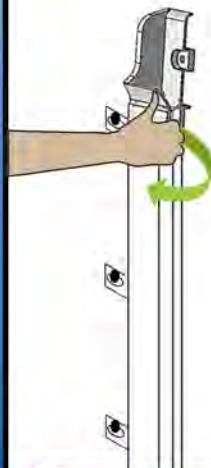
It is important that the door is held firmly at this stage to prevent loss of tension. Pull the door partly down.
 On Series 245/255 doors the nylon guide blocks has been pre-assembled by sliding them beneath the Allurail.



Do not fix plastic guide bracket yet

FASTENING OF GUIDE BRACKET TO RAIL

After guide rails are fixed, do not fix the guide bracket yet. First make sure the guide rail is properly straight and run the garage door down and up again. When the rails are straight pull the plastic flap as shown in the figure to the right and remove door from guides.



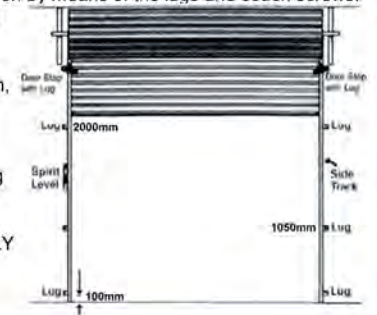
Then continue to fix the plastic guide bracket to the wall with head coach screw.

FIXING THE SIDE TRACKS

Carefully remove the plastic chock, if used. Ensure that the door curtain is rolled up evenly and centered on the opening.

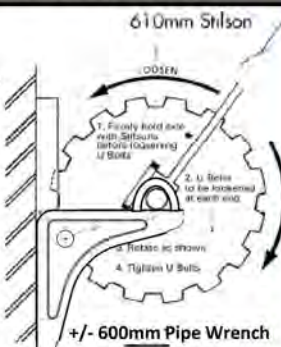
The top of the tracks (played end) should be level with the top of the bearing surface of the mounting brackets. Cut one side track to the correct length if necessary, at the bottom.

USING A SPIRIT LEVEL TO ENSURE THAT THE SIDE TRACK IS ABSOLUTELY VERTICAL, fix the track in position by means of the lugs and coach screws. Similarly, cut the second track to the correct length, if necessary and repeat previous step ensuring that the side track is **ABSOLUTELY VERTICAL**.



FINAL ADJUSTMENTS

Adjust tracks for clearance, if necessary. Adjust door for tension, if necessary (see sketch). If door does not roll up evenly and squarely, move the axle sideways on the mounting brackets until the door rolls up correctly. Hold axle in the same way as described for tensioning, and re-tighten U Bolts.



SLOTING SIDE TRACK FOR LOCKING BAR

With the door closed, and firmly seated on the floor, please ensure door is level with base of channels. The locking bar should then line up with slots provided, if not file out to suit. A neat fit will minimize vibration and maintain efficiency of weather seal.



Slots has been provided and set in factory

FINAL ADJUSTMENTS

All DOORS

- Do not apply grease or oil to the door guides.
- Periodic wiping of the inside of the guides with methylated spirits is beneficial and polishing (car polish) of the inside surfaces assists smooth door operation.
- Powdered graphite periodically applied to the lock key-way is recommended and necessary, light lubrication of the locking bar retainers is suggested.
- It is advisable, particularly in corrosive areas, to wash your door, including the top, the door roll, with a cloth and water as regularly as you wash your car. This will maintain the surface free from corrosive deposits, giving your door longer life and more lasting appearance. (One tablespoon paraffin to a bucket of water)

GALVANISED DOORS

Painting: Refer to your local paint specialists for expert advice.

CHROMADEK DOORS

Touch up paint. Only Chromadek paint must be used for touch-up of these doors. This paint can be obtained from your local paint dealer.



BUILD

GARAGE DOORS

IBuild is a leading Aluminium Windows, Aluminium Doors
and Garage Doors Supplier

Tel: 011 841 8800

Email: sales@ibuild-mtg.co.za

Web: www.ibuild-mtg.co.za

Address: 6 Falkirk Road,

Ext 12, Benoni

1501

Visit our website or showrooms for more products from
IBuild, Monarch Marketing and the Treger Group (Zimbabwe)



MONARCH MARKETING

A DIVISION OF MONARCH TRAVEL GOODS (PTY) LTD