

# **Instruction Manual**

## **Instant Water Heater Open-outlet Type Single Point**

For proper operation and maintenance please read carefully and preserve the instruction manual.

Thanks for your choice of our products.

We will provide satisfactory service to you everlastingly.

## Your safety is the most important concern to us!

This manual provides many important safety remarks.  
Please read it carefully and follow the instruction rules.

**WARNING**



It is dangerous and may cause injury if you don't follow safety instructions.

## Consumers' Responsibilities

- This manual helps you to acquaint with the installation, operation, and maintenance of your electric water heater. It provides the key safety information.
- We urge you to read all of the instructions thoroughly before installation or operation. We highly recommend to keep this manual for future reference.
- The manufacturer will not be liable for any damages caused by improper installation and/or operation.
- If you lack of the necessary skills for proper installation or have difficulty following the instructions, you should not proceed but have a qualified technician to install it.
- This heater is not intended to be operated by children, or mentally impaired personnel, unless under adult supervision and guidance.
- Children are not allowed to play with the unit.
- A label with basic parameters is stick on the heater which helps you to know more about your water heater.
- Retain your original receipt as the proof of purchase. You may need it in the future when problems happen.

# Main Features

## EV Models

- Large LCD monitor displays the actual outlet water temperature.
- Press the touch sensor button "+" and "-" to choose the temp. of output from 30°C to 60°C.
- Automatic constant temperature device.
- Get hot water as soon as the unit starts working, no need to wait.
- Memory function, automatically memory the latest setting of working conditions.
- Safety protection: protection against dry heating and overheating; ELCB sensor detects electricity leakage; Water flow controls heating; Automatic malfunction check.

## EV1 Models

- Large LED monitor displays the actual temperature of water output.
- Key-press type, 20-step power regulation.
- ELCB test key for manually electricity leakage test, safer for use.
- Get hot water as soon as the unit starts working, no need to wait.
- Memory function, automatically memory the latest setting of working conditions.
- Safety protection: protection against dry heating and overheating; ELCB sensor detects electricity leakage; Water flow controls heating; Automatic malfunction check.

## EV2 Models

- Large LED monitor displays the actual the temperature of water output.
- Mechanical-type turning knob, stepless power regulation.
- ELCB test key for manually electricity leakage test, safer for use.
- Get hot water as soon as the unit starts working, no need to wait.
- Memory function, automatically memory the latest setting of working conditions.
- Safety protection: protection against dry heating and overheating; ELCB sensor detects electricity leakage; Water flow controls heating; Automatic malfunction check.

## EV3 Models

- Large LED monitor displays the actual temperature of water output.
- 20-step power regulation: select the required heating power by touch sensor button "+" and "-".
- Get hot water as soon as the unit starts working, no need to wait.
- Memory function, automatically memory the latest setting of working conditions.
- Safety protection: protection against dry heating and overheating; ELCB sensor detects electricity leakage; Water flow controls heating; Automatic malfunction check.

## EL Models

- LED monitor displays its working conditions.
- Mechanical-type turning knob, stepless power regulation.
- Function key for manually creepage test, safer for use.
- Get hot water as soon as the unit starts working, no need to wait.
- Safety protection: protection against dry heating and overheating; ELCB sensor detects electricity leakage; Water flow controls heating; Automatic malfunction check.

## **DF Models**

- LED monitor displays its outlet water temperature.
- Mechanical-type turning knob, stepless power regulation.
- ELCB test key for manually electricity leakage test, safer for use.
- Get hot water as soon as the unit starts working, no need to wait.
- Safety protection: protection against dry heating and overheating; ELCB sensor detects electricity leakage; Water flow controls heating; Automatic malfunction check.

## **FL Models**

- Clear LED screen displays the actual temperature of output water.
- Key-press type, 10-step power regulation.
- ELCB test key for manually electricity leakage test, safer for use.
- Get hot water as soon as the unit starts working, no need to wait.
- Memory function, automatically memory the latest setting of working conditions.
- Safety protection: protection against dry heating and overheating; ELCB sensor detects electricity leakage; Water flow controls heating; Automatic malfunction check.

## **FI Models**

- Touch sensor button.
- Clear LED screen displays the actual temperature of water output .
- 9-step power regulation.
- Get hot water as soon as the unit starts working, no need to wait.
- Memory function, automatically memory the latest setting of working conditions.
- Safety protection: protection against dry heating and overheating; ELCB sensor detects electricity leakage; Water flow controls heating; Automatic malfunction check.

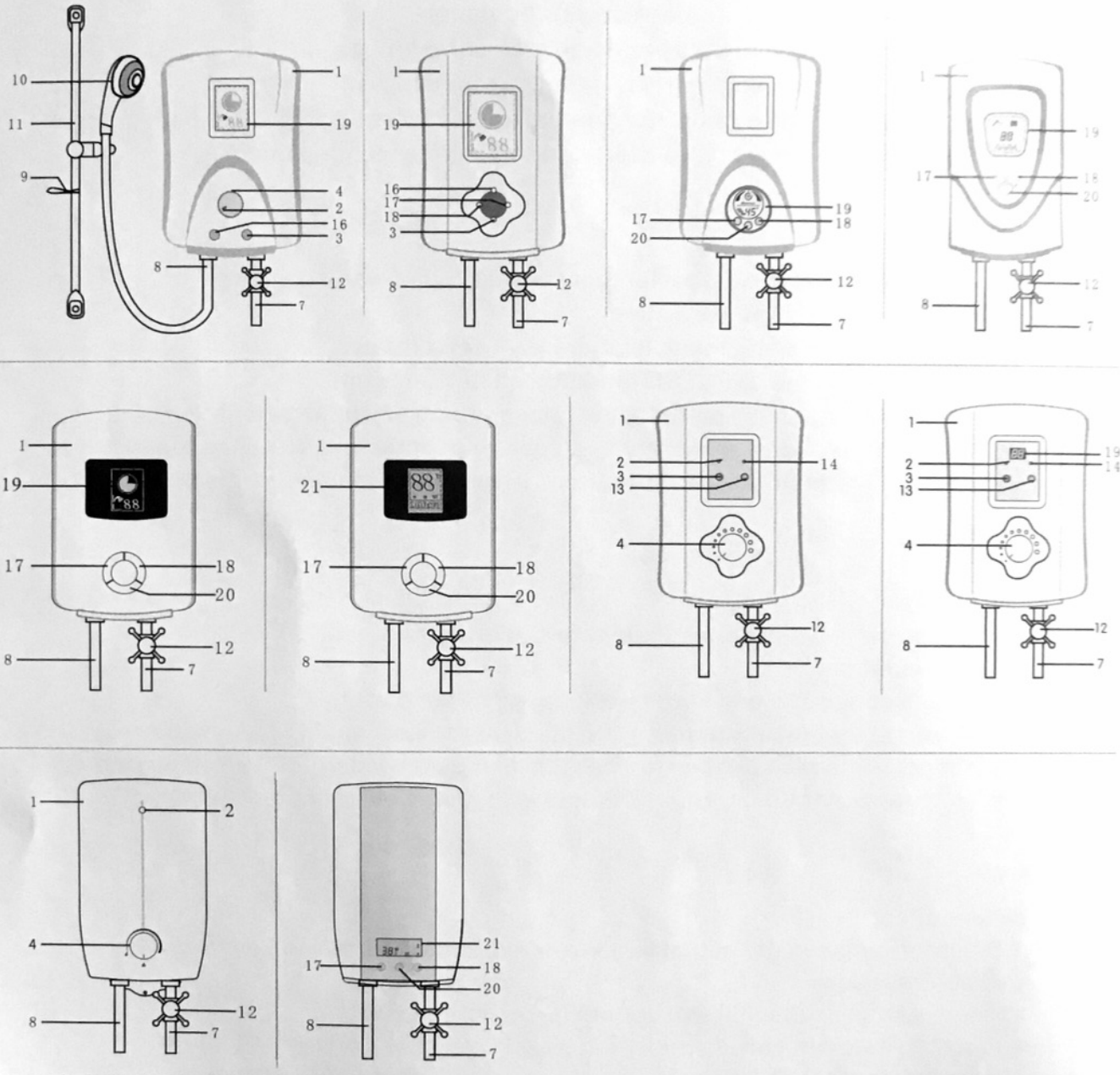
## **VF Models**

- Touch sensor button.
- Clear LCD screen displays the actual temperature of water output and service time.
- 9-step power regulation.
- Get hot water as soon as the unit starts working, no need to wait.
- Memory function, automatically memory the latest setting of working conditions.
- Safety protection: protection against dry heating and overheating; ELCB sensor detects electricity leakage; Water flow controls heating; Automatic malfunction check.

## **GL7 Models**

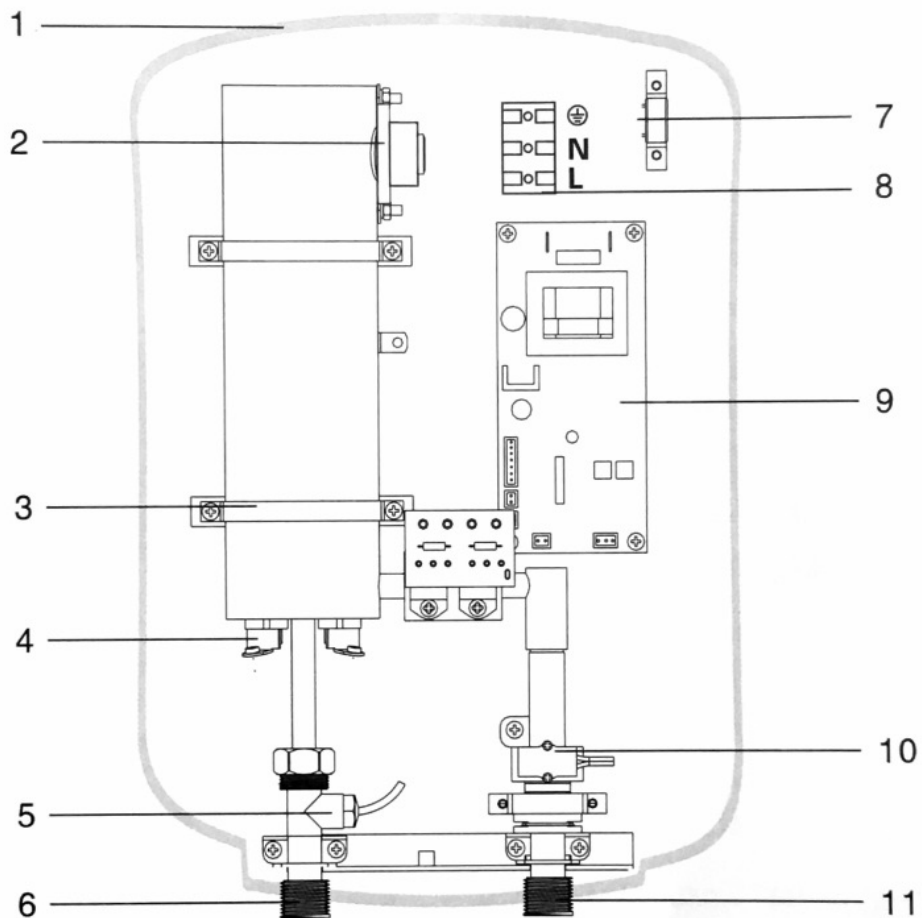
- Economy type.
- LED monitor displays its working conditions.
- Mechanical-type turning knob, stepless power regulation.
- Get hot water as soon as the unit starts working, no need to wait.
- Safety protection: protection against dry heating and overheating; ELCB sensor detects electricity leakage; Water flow controls heating; Automatic malfunction check.

# Part Identifications



- |                                        |                                |                        |
|----------------------------------------|--------------------------------|------------------------|
| 1. Cover                               | 8. Outlet                      | 15. VFD display screen |
| 2. Power indicator                     | 9. Soap Dish                   | 16. ON/OFF/RESET       |
| 3. ELCB test key                       | 10. Shower head                | 17. Power or Temp. -   |
| 4. Power control                       | 11. Shower Stand               | 18. Power or Temp. +   |
| 5. Pressure relief valve               | 12. Water Flow Regulator Valve | 19. LED display screen |
| 6. Display of outlet water temperature | 13. Reset of ELCB              | 20. ON/OFF             |
| 7. Inlet                               | 14. Heating indicator          | 21. LCD display screen |

# Parts Identifications--Inside



- 1. Cover
- 2. Thermal Controller
- 3. Tank Clamp
- 4. Heating Element
- 5. Temperature Sensor
- 6. Water Outlet Connection

- 7. Cable Clamp
- 8. Terminal Block
- 9. Circuit Board
- 10. Flow Switch
- 11. Water Inlet Connection

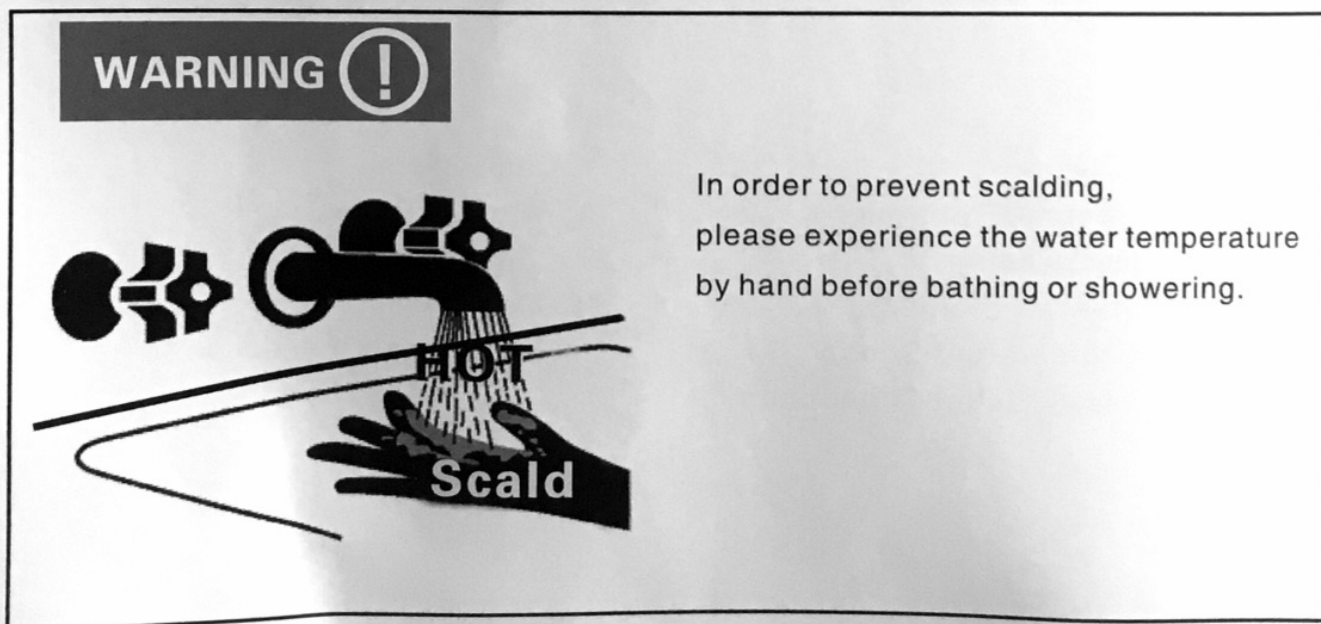
## Methods of Operation

**Make sure the water heater has been properly installed before operating the water heater.**

1. The water flow rate for operation is at least 2 L/Min. Minimum working water pressure is 0.02Mpa, Maximum working water pressure is 0.6Mpa.
2. Turn on the water flow regulator valve till water comes out from shower head.
3. Switch on the power supply.
4. Turn on the water heater by pressing "ON/OFF" button. Water would get warmer as the "+" button is pressed (for EV, FI, VF, EV3 models), or as the control- knob is turned on clockwise (for EV2, EL, DF, GL7 models), or as the key-press is pressed (for EV1, FL models)
5. Change the water temperature by regulate heating power or water flow.
6. In some case , water is not heat up enough even after you've set the heater on maximum power. This is due to the incoming water temperature is too low. You can reduce the water inflow by regulating the water flow regulator valve to get your desired temperature.
7. Shut-off power FIRST , and then turn off the water supply.
8. Disconnect the power, when the heater is not in use.
9. When you are showering, do not spray water to the water heater.

## Water Temperature Regulation

**The product highest outlet water temperature can up to 60°C. However, the outlet water temperature is better not higher than 45°C when you are showering.**



# Installation Manual

## Opening the Packing Materials

**Attention: Do not remove any of the permanent instructions stickers and labels, no matter inside or outside.  
Dismantle the exterior packing and place installation components aside.**

- Inspect all parts before installation and start-up. Make sure there is no visible damage.
- Completely read all instructions in this manual before assembling and install.
- After installation, dispose of packaging material in the proper manner.

## Location Requirements

Select a location near the water piping system.

**Note:** For the best result on installation, make sure there is at least 1.8 meters distance between the hook of water heater and the floor. (Refer to installation diagram for more details).

Power switch must be away from the water outlet, or make sure there is at least 1.2 meters distance between them. It can be dangerous when water splashes to the power switch.



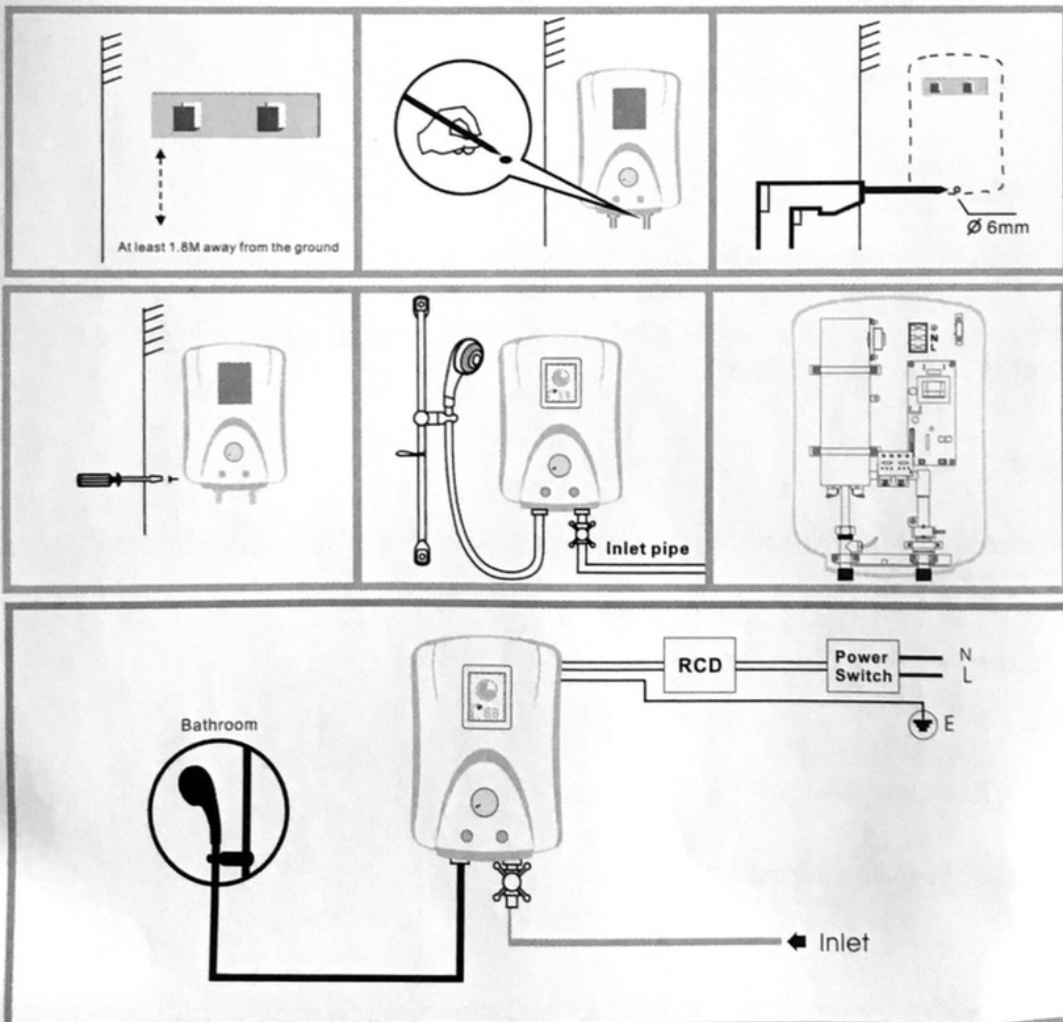


F. Correct size of wire conductor corresponds to different electrical loading should be used. The following table provides a reference for selection the best type of wire conductor.

Voltage (V)	Power (kW)	Amperes (A)	Recommended Conductor Size	Fuse/MCB (A)	ON/OFF Switch (A)
220-240V~ 50/60Hz	3.0	12.5-13.6	1.5mm <sup>2</sup>	20	20
	3.5	15.9-14.6	2.5mm <sup>2</sup>	20	20
	4.5	20.5-18.8	2.5mm <sup>2</sup>	25	32
	5.5	25-22.9	2.5mm <sup>2</sup>	32	32
	6.5	29.5-27.1	4.0mm <sup>2</sup>	32	40
	7.5	34.1-31.3	6.0mm <sup>2</sup>	40	40
	8.5	38.8-35.4	6.0mm <sup>2</sup>	40	40
	9.0	40.9-37.5	6.0mm <sup>2</sup>	63	63
	10	45.5-41.7	10mm <sup>2</sup>	63	63
	11	50-45.8	10mm <sup>2</sup>	63	63

G. We highly recommend connecting a leakage protection device to the water heater.

### Heater Fixing



1. Mount the Hook.
2. Hang the unit to the hook and mark position for the screw.
3. Take off the unit, then drilling hole.
4. Mount the unit on the hook again and stabilize it with the screw.
5. Install the water flow regulator valve(with filter mesh washer, as show in picture), piping & shower set.
6. Turn on the water mains to drain out all plumping dirt and to fill up the heater tank.(This step will prevent damage to the heating element).

## Shower Set Fitting

Connect the flexible hose and shower head to the OUTLET of the heater. Make sure connect with the filter mesh washer provided.



**Warning:** The water flow regulator valve must be fixed to the water inlet only. The water OUTLET of this heater acts as a vent and must not be connected to any form of tap or fitting not recommended by the manufacturer.

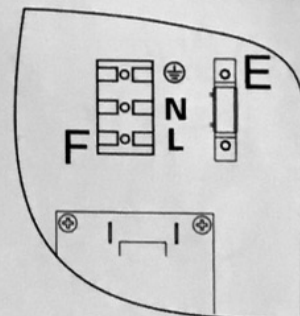
**Do NOT use shower head with ON/OFF switch.**

## Electrical Connection

Always reference the wiring on Instruction Manual for the correct electrical connections.

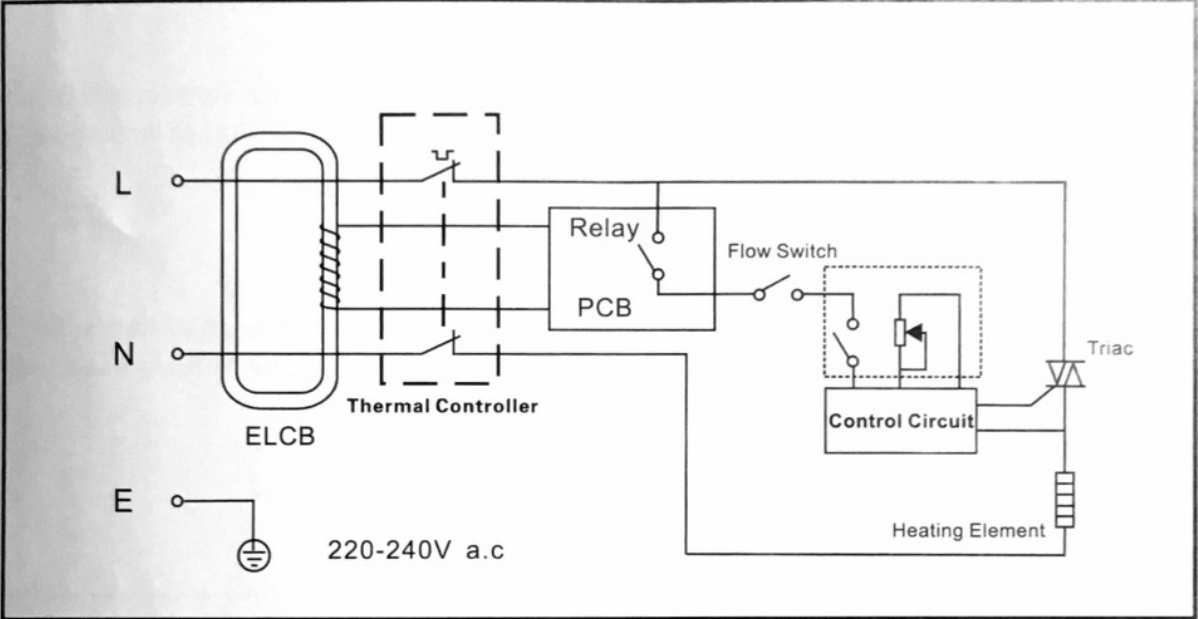
Make sure that the power supply to the water heater is properly **shut off** during the installation and the electrical wiring works of the water heater.

- a. Switch off the electrical mains.
- b. Insert the electrical cable through the rubber grommet marked "E" for side entry and "F" for wall embedded cable.
- c. Connect the cable to the terminal block as follows:
  - RED OR BROWN-----LIVE(L)
  - BLACK OR BLUE-----NEUTRAL(N)
  - GREEN OR GREEN/YELLOW-----EARTH
- d. Replace the cover and tighten the screws.



**NOTE:** Tighten the terminal & screws; Otherwise, it will lead to the power cord radiation.

# Schematic Wiring Diagram



# Maintenance Instruction

Clean the appliance with a damp cloth. It is ok to clean the cover with mild detergent, but DO NOT use turpentine, alcohol, petrol or any other corrosive solutions.

Test "ELCB" regularly: Pressing the "Test" button. The heating indicator in the monitor will go off [except EL model, DF, EV1, EV2 models will be accompanied with alarming buzzes and show "E1"] Press the "Reset" button to switch on the heater again and start to use.  
This function is for EL, DF, EV1, EV2 models.

Clean the shower head regularly.

Clean the filter regularly: Disconnect the shower head from the hose. Remove the filter mesh washer and flush it with water to remove any trapped sediments. Connect the shower head to the hose in its original position.

## Trouble Shooting

PROBLEM	CAUSE	SOLUTIONS
Indicator lights off	No power	Turn on power switch
With pressing "TEST", no response	ELCB is broken	Contact the service center to repair
Water is not hot enough	Heating power is not enough	Increase Power
	Water pressure is too high	Decrease water flow
Water Flow is small	Filter is jammed	Regularly clean the filter and shower set
Not Heating	Water flow is too small	Increase water flow
	ELCB is broken	Contact the service center to repair
	Heating element is damaged	

**If the solution instruction we provided can not solve the problems, please contact professional maintenance man.**

### Other key notices:

The water heater must be earthed.

When abnormal occurrence happens, shut off power immediately and contact maintenance man as soon as possible. It is dangerous to fix it by yourself.

DO NOT turn on the power switch when water in the tank is frosted.

DO NOT use plump cement on connecting. If necessary, use only thread or seal-tape.

Never attempt to repair the unit yourself.

Refer NO. : IWH-K-004

