

1080P 4G WIFI 3 Cam MNVR System with the option to add up-to 5 cameras

User Manual



*Optional 7' or 10' LCD Monitor

Content

1. Product Introduction	4
1.1 Product Features	4
1.2 Product Main Functions.....	4
2. Technical Parameters.....	5
3. Accessories.....	7
4. Interface description	9
4.1 AT656M Front-interface	9
4.2 AT656M rear-interface	10
5. Attention	11
6. Quick Setting	12

Preface

Thank you for choosing our 1080P 4G WIFI 3 Cam DVR System with the option to add up-to 5 cameras product, please carefully read the instructions before operating.

Please check the items in package with packing list, contact with the distributor if any product piece is missing.



Disclaimer :

- Read this user manual carefully please. Once device is powered on, you are deemed to have read this user's manual.
- This product is not waterproof. *only cameras are waterproof
- This Product used as assistant tool for Security only, can't prevent all kinds of deliberately theft or malicious damage vehicles. For the safety of your assets, you still need keep necessary vigilance and security awareness after you installed this product.
- We do not bear responsibility to any loss except product itself. Thanks!

1. Product Introduction

Our MNVR system allows for driver tracking and remote monitoring using an IP Server. Receive alert triggers like G-Sensor, alarm settings and over speed settings directly to an email or text message. All this when using a remote IP server or remote management, system. MDVR product are simple, elegant, anti-vibration, flexible installations, powerful functions and highly reliable.

*7" or 10" LCD Monitor is optional

Product Features

- Full HD 1080P resolution (100fps PAL)
- Power failure protection
- Rich ports(4G,GPS,I/O,RS232,RS485,Canbus)
- Large storage(2xSD card max 256GB, *internal SSD max 512GB, *1 terabyte extended HDD. * OPTIONAL
- *Optional USB Tool works with Tools APP to manage and set all devices in your cellphone to replace Remote controller
- Support extending connection with automatic passenger counting system or ADAS&Driver Status Monitor Alert system

Product Main Functions

- Wireless Communication: Real-time live remote monitoring, video downloading, parameter configuration, remote upgrade, remote control and other data communication through WIFI or 3G/4G
- Recording: 4CH AHD 1080P+1 IPC (1080P) backward compatible with AHD720P/D1/HD1/CIF; Support PAL system, Video OSD overlay, such as time, channel name, license plate number, GPS, speed, etc;Support storage device to record automatic coverage and alarm video file protection
- Storage System to ensure not lose files,. Large storage(2xSD card max 256GB per SD for a total of 152GB SD Storage.
- Optional internal 512GB SSD storage. Must be ordered at the time of purchase. This can not be added later.
- Playback: Support local 4-channel audio and video sync playback; Support PC-side playback analysis tool; Support remote search playback; Support traditional playback functions such as play, pause, frame release, slow release, fast forward, fast reverse
- Driving Records: It can record driving information such as vehicle speed, GPS data, temperature, and oil quantity; The switch quantity can be collected through the reserved 8 digital input ports; Support local recording, view driving information; Support remote real-time upload and history search view

2. Technical Parameters

Items	Device Parameters	Descriptions
System	Operation	Linux3.10
	Languages	English
	Control Methods	Remote Controller/Platform/Tools APP
Video	Input	4xAHD1080P+1IPC
	Output	2xCVBS
	Signal Standard	Electrical level: 1.0Vp-p Input/Output independent:75Ω PAL
Audio	Input	4CH
	Output	1CH
	Signal Standard	Electrical Level: 2.0Vp-p Input independent: 4.7K Output independent 1.0K
Display	Image Pixel	PAL:704*576
	Terminal	External Display Monitor
	Content	Live video; Date; Time; GPS information; Communication signal; license plate; storage information; network status
A/V Compression	Frame Rate	100fps 1080P @ PAL
	Recording Mode	Boot, Timing, Alarm
	Video Compression	H.264,Variable bite rate(VBR)/ Constant bite rate(CBR)
	Resolution	1080P(1920*1080);720P(1280*720);D1(704*576);HD1(704*288);CIF(352*288)
	Audio Compression	G.726

Items	Device Parameters	Descriptions
	Bit rate	32Kbps/40Kbps
Playback	Playback Channel	Local single channel playback; browser 1/4/8 channel playback
	Search Mode	Time/Date, Channel, Alarm
Storage	SD Card	2xSD 2.0 Interface, supports (2) 256G SD card Total 512GB
	SSD	1xSSD interface, supports 512GB internal SSD storage. Must be purchased up front
Satellite Position	GPS/BD	Frequency:L1:1575.42MHz B1:1561.098MHz Sensitivity: Tracking:-165dBm Cold boot:-148dBm Cold boot time:<33s Warm boot time:6s Accuracy:single Positioning:3.0m(2DRMS) SBAS:2.5m
Wireless Transmission	3G	EVDO/WCDMA/TD-SCDMA
	4G	TD-LTE/LTE-FDD
	WIFI	Support 802.11 b/g/n(2.4GHz) Support 802.11 ac(5GHz)
Function Interface	VOIP	Realize the real-time intercoms between center/terminal and terminal *optional when available
	USB	1xUSB 2.0 HOST
	SIM/UIM	1xStandard SIM/UIM card slot
	LAN	10M/100M/1000M
	CAN	2xCAN2.0B
	Serial Interface	2xRS485,2xRS232
	Vehicle Information Collect	Status alerts for speed, ignition off, geo fencing, and more
	Self-defined I/O	8CH input,2CH output
Power	Input	DC8V ~ 36V

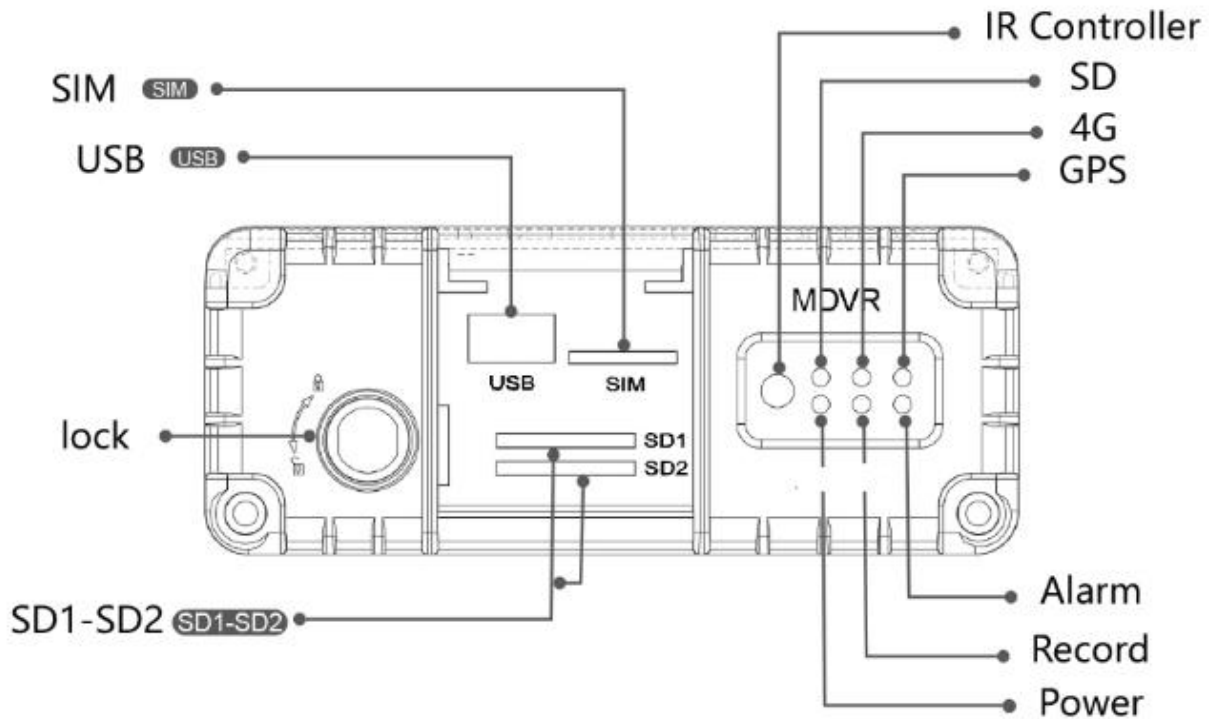
1080P 4G WIFI 3 Cam DVR System

with the option to add up-to 5 cameras

Items	Device Parameters	Descriptions
	Output	12V@1A,5V@1A
	Consumption	< 9W (No peripheral)
Physical Property	Working Temperature	-40°C ~ +85°C
	Working Humidity	10%~ 95%
	Protection Grade	IP43
	Dimension(L x W x H)	138 x 171 x 66mm
	Weight	0.985Kg
Certification	Certificates	CE,FCC,ROHS,ISO9001

4. Interface Description

Front-interface

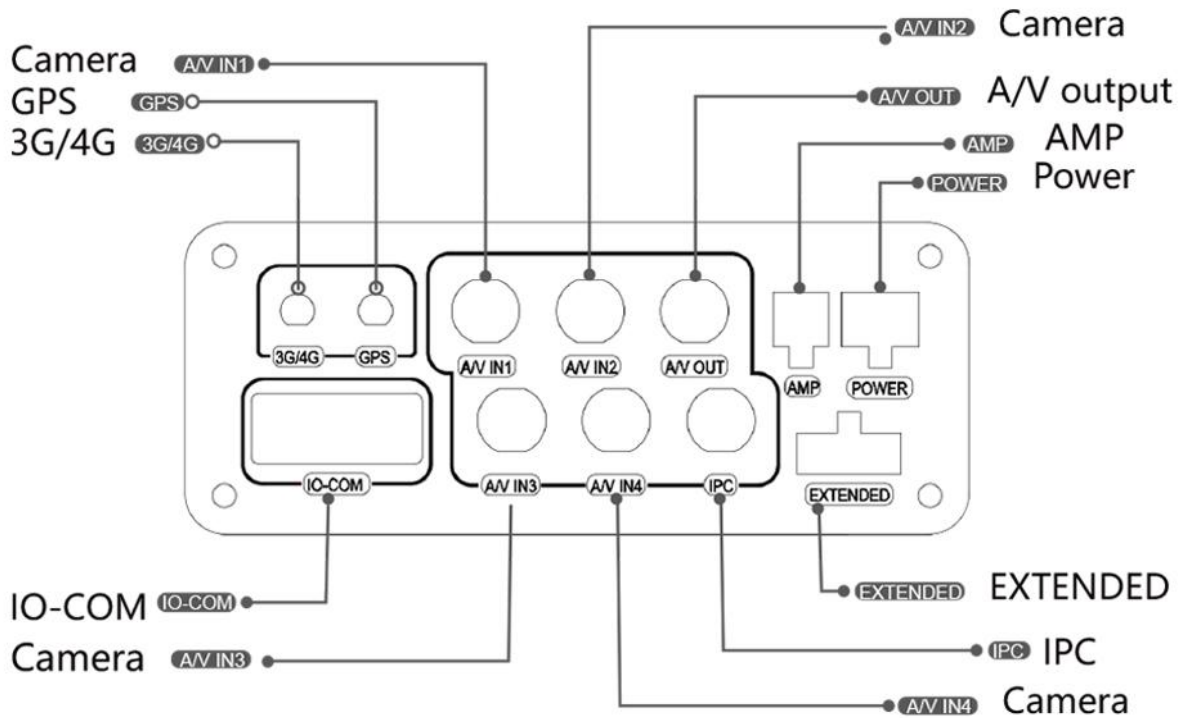


Front Panel Interface and Indicator Lights

Panel	Name	Description
Interface	SD1/SD2	SD card slot, 2 SD card loop recording
	SIM	3G/4G sim card, 3G/4G dial-up Internet access
Indicator Lights	Power	Red: the power light is bright when it detects that there is input power.
	REC	Green: Recording indicator light, the video light is on when the device is recording, no video light is off
	SD1/SD2	Green: SD card indicator light, the light is on when the SD card is detected, otherwise it is off.
IR	Cable interface	Receiving remote controller button
Electrical Lock	Electrical Lock	SD card and SIM card bezel lock, can not be activated without locking the host, open the lock host automatically standby

Rear-interface

Please note don't connect the IP camera with the AV/IN port,it may cause the device burn!



Rear Panel Interface and Descriptions

Panel Interface	Description
AV-IN1~AV-IN4	4-channel camera audio and video input interface
IPC	1 way IPC camera input interface
AV-OUT	Audio and video output interface
IO-COM-SPEED	8-channel IO alarm input, 2-channel alarm output; 2 RS485 interfaces, 2 RS232 interfaces; vehicle pulse speed interface
EXTENDED	Intercom interface, multi-function scheduling screen
AMP/CAN	External amplifier or CANBUS
POWER	Power input interface, DC8-36V
GPS	GPS Antenna
4G	4G Antenna
WIFI	WIFI Antenna