

1080P 4G WIFI 3 Cam DVR System with the option to add up-to 5 cameras

LIVE VIEWING

PRODUCT PAGE

DESCRIPTION APPLICATIONS

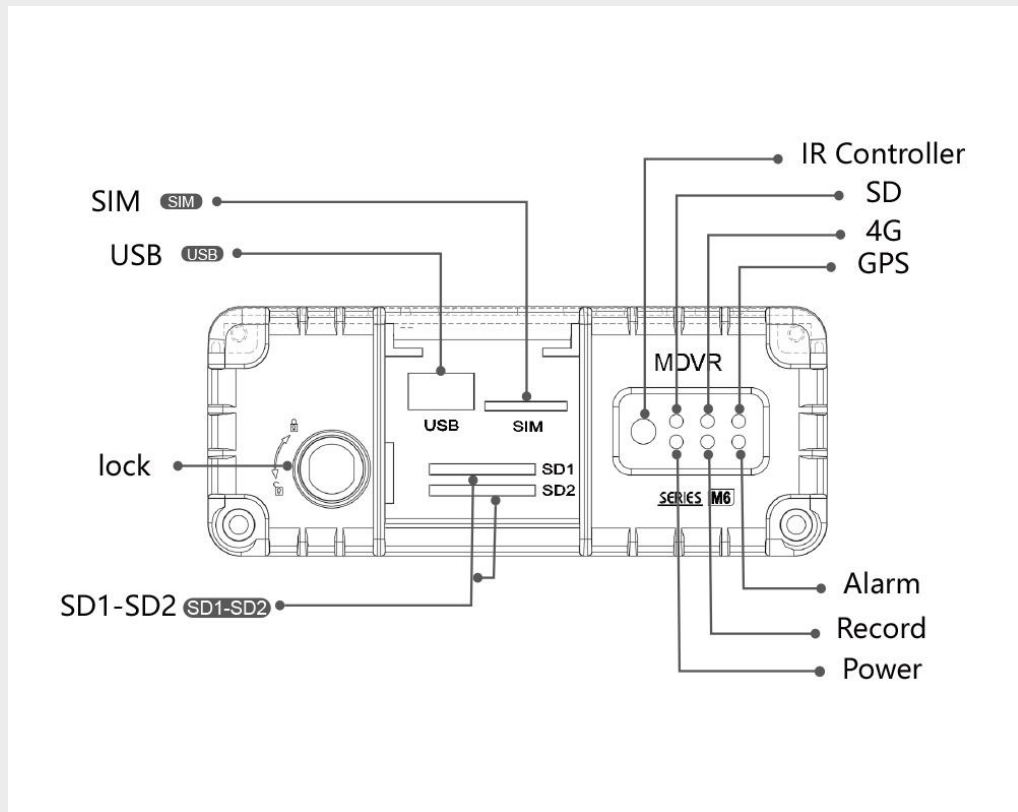
The MDVR series is a cost-effective, surveillance and remote monitoring. Using our latest high-speed processor with H.264 video compression/ decompression technology, network technology with GPS positioning. This system comes standard with 3 cameras with the option to add up to 5 1080P cameras. Standard full frame recordings up to 5 cams at one time, Resolution options are CIF/HD1/D1/AHD720P/ADH1080P along with multiple recording formats. Our MDVR system allows for driver tracking and remote monitoring using an IP Server. Receive alert triggers like G-Sensor, alarm settings and over speed settings directly to an email or text message. All this when using a remote IP server or remote management, system. MDVR product are simple, elegant, anti-vibration, flexible installations, powerful functions and highly reliable.

*7" or 10" LCD Monitor is optional

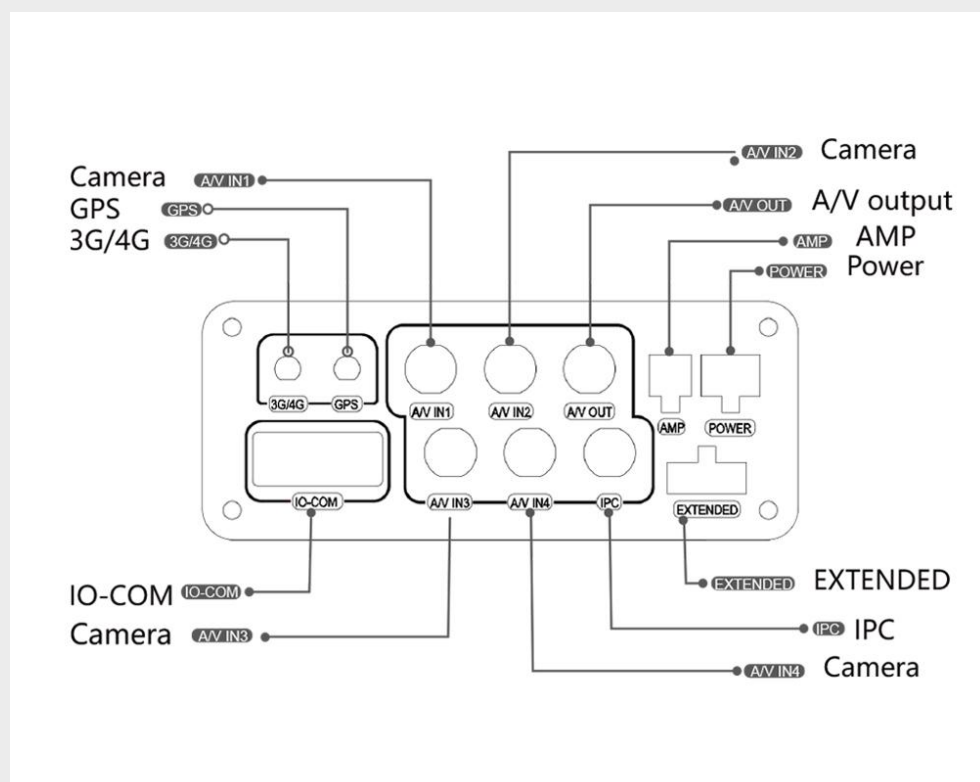


1080P 4G WIFI 3 Cam DVR System with the option to add up-to 5 cameras

Front panel structure



Rear panel structure



1080P 4G WIFI 3 Cam DVR System

with the option to add up-to 5 cameras

LIVE VIEWING

Item	Parameters	Performance
System	OS	Linux 3.10
	Language	Chinese/English/Thai/Others
	Control Mode	IR remote control,Network,Tools APP
Video	Input/output	4CH AHD1080P, 2CH CVBS Output
	Standard	Electrical Level:1.0Vp-p Input/Output Impedance:75Ω NTSC/PAL(Selectable)
Audio	Input&Output	4CH input,1CH output
	Standard	Electrial Level:2.0Vp-p Input Impedance:4.7K Output Impedance:1.0K
Display	Image Pixel	PAL:704*576,NTSC:704*480
	Terminal	Support External Display Terminal
	Content	Live video; Date; Time; GPS information; Communication signal;storage information; network status
	Display spilt	1/4/9 Image display
A/V Compression	Frame Rate	Main Stream:120fps 1080P@NTSC/100fps 1080P@PAL Sub-Stream:30fps CIF@NTSC/25fps CIF@PAL
	Recording Mode	Boot, Timing, Alarm
	Video Compression	H.264.Variable Bite Rate(VBR)/Consrant Bite Rate(CBR)
	Audio Compression	G.726
	Resolution	1080P(1920*1080);720P (1280*720);D1(704*576);HD1(704*288);CIF (352*288)
	Bit Rate	32Kbps/40Kbps
Playback	Playback Channel	Local Signal Channel Playback,Browser 1/4/8 Channel Playback
	Search Mode	Time/Date, Channel, Alarm
Storage	SD card	2*SD(2*256GB) 512GB MAX
	HDD External Connection	1Terabyte
	SSD (Optional)	512G

1080P 4G WIFI 3 Cam DVR System

with the option to add up-to 5 cameras

LIVE VIEWING

Item	Parameters	Performance
Satellite Positioning	GPS/BD2 Double Modules	Frequency:L1:1575.42MHz B1:1561.098MHz Sensitivity:Tracking:-165 dBm Cold boot:-148dBm Cold boot time:<33s Hot boot time:6s Accuracy:Single Positioning:3.0m(2DRMS) SBAS:2.5m
Wireless Transmission	3/4G	3G:EVDO/WCDMA/TD-CDMA; 4G:TD-LTE/FDD-LTE
	WIFI	Support 802.11 b/g/n (2.4GHz) Support 802.11 ac (5GHz)
Function Interface	VOIP	Realize the Real-Time Intercoms Between Center/Terminal and Terminal
	USB	1*USB2.0 Host Interface(For setting of Tools APP)
	SIM/UIM	1 Standard SIM/UIM Card Slot
	LAN	10M/100M/1000M Net Interface
	CAN	1*Can
	Serial	2*RS485,2*RS232
	I/O	8CH Input、 2CH Output
Power	Input	DC8V-36V
	Output	12V@1A, 5V@1A
	Consumption	<9W(No peripheral)
Physical property	Working Temperature	-40℃ -+85℃
	Working Humidity	10%-95%
	Protection Grade	IP43
	Weight	0.985Kg
	Dimension	138×171×66mm
Certifications	Certifications	CE, FCC, Rohs, ISO9001, E9