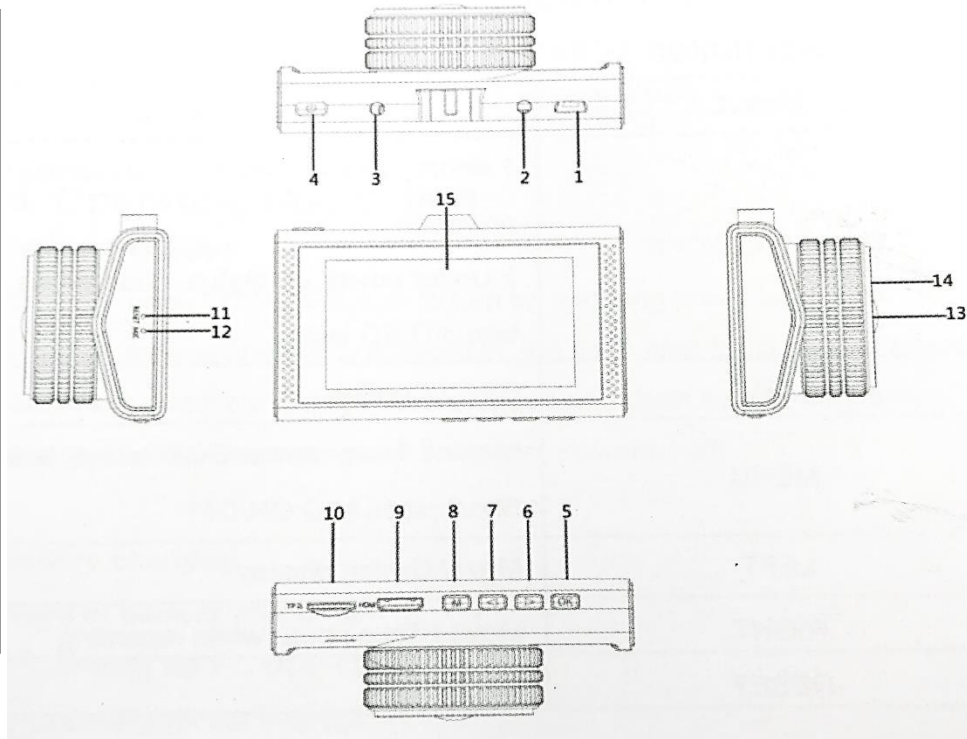


Prime 2 / 4 Dash Camera Quick Start Up Guide

1. Mini USB Power Button
2. GPS/BV Outside Camera Port
3. AV-Out
4. Power ON/OFF Button
5. OK/Record Button
6. Right Navigation Arrow
7. Left Navigation Arrow
8. Menu Button
9. HDMI Port
10. SD Card Slot
11. Master Reset Pin Hole
12. Built in Microphone
13. Front Facing Camera Lens
14. LED Light Button (soft tap)
15. Monitor Screen



Prime 2 / 4 Initial Setup Instructions

It is recommended that you FORMATT SD card.

Press bottom right "OK" button to make sure camera is not recording.

- Once camera is not, press bottom left, "M" menu button
- On menu screen, using middle right arrow button, press 2x or until you highlight "Setup"
- Press bottom right "OK" button- press bottom right arrow button 7x or when "FORMAT" is highlighted. Press Ok- Press left arrow to highlight "Ok", Press bottom right "Ok" button. SD card is now formatted. Press bottom right "M" button and then bottom right OK button to start recording. If you format SD card in the future, it will erase everything that is currently on card.
- We recommend formatting card once a month.

Setup instructions to keep dash camera from freezing:

- Press bottom right "OK" button, make sure camera is not recording.
- Once camera is not recording, press bottom left, M button
- On menu screen, use right arrow button, press 1x or until you have "Video Setup" highlighted, Press Ok
- Press the bottom right arrow button until "Motion Detection" is highlighted, Press Ok and set to "OFF"
- Press the bottom right arrow button until "G-Sensor" is highlighted. Press OK and set to LOW
- Press bottom right arrow until Parking Monitor is highlighted. Press OK to set OFF

You are now done with initial setup.

- Press top left M button to get back to your main video mode.
- Press bottom right "OK" button to start recording

Master Reset port is located on left side of camera

Using a safety pin, thumbtack, toothpick, etc. Press inside hole for a master reset of Prime 2 / 4 dash camera unit.