

# ORB WIFI Dashcam Manual

I. Structure and part description .....	2
1 ) Dash cam .....	2
2 ) Remote controller .....	3
• II. Paring remote controller and dash cam .....	3
• III. Button description .....	4
1. Menu button .....	4
2. Page up button .....	5
3. Page down button .....	5
4. Enter button .....	5
5. Power button .....	6
6. Reset button .....	6
IV. Function description .....	7
1. Video taking .....	7
2. Photo taking .....	7
3. Play-back .....	7
4. G-sensor .....	7
5. SOS recording .....	7
6. Parking monitor .....	7
7. Cycle-recording .....	8
8. Audio on while taking video .....	8
9. Date and time setup .....	8
10.USB mode .....	8

11.Charging the battery.....	8
12.Screen off timing.....	8
13.App .....	9
V. Installing guide .....	9
VI. Specifications .....	10
VII. Remarks .....	10

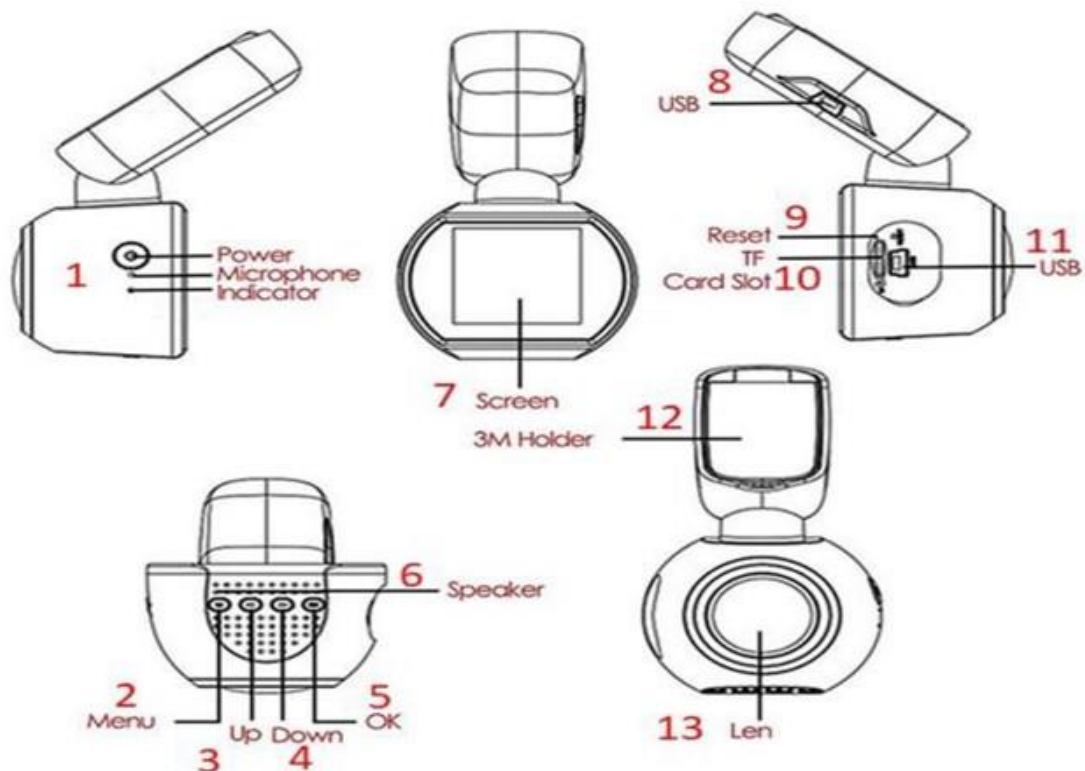
## ORB WIFI Dashcam

ORB WIFI Dashcam 1080P dash cam has functions including audio & video recording, G-sensor, parking monitor, one-button snapshot, WIFI connectivity from Android Play Store and Apple IOS App, video play-back & sharing, adopting Sony IMX 323 sensor. Please read this user manual fully prior to installation.

### I. Structure and part description:

Scan and download App





## ORB WiFi HD MINI DASH CAM QUICK START GUIDE

### Description of Buttons

1. Power ON/OFF/Esc Button  
Microphone Indicator
2. Menu button
3. Up arrow
4. Down arrow
5. OK button
6. Speaker
7. Back monitor LCD display
8. USB Power Port option 1
9. Master Reset port
10. SD Card Slot
11. USB Power Port option 2
12. Detachable 3M mount
13. Front recording camera lens

It is recommended that you **FORMATT** SD card.

- Press bottom right "OK" button, make sure camera is not recording.
- Once camera is not recording, press bottom left, menu button
- On menu screen you have two menu setting options
  - 1) Video Movie Mode Settings
  - 2) General settings
- Press M button 2x or until you are in General Setting
- Use down/right arrow until you are on page 6 of 7 and see "Format Card"
- Press bottom right "OK" button and highlight "Yes". Press bottom right "Ok" button to confirm you want to format sd card.
- SD card is now formatted. If you format SD card in the future, it will erase everything that is currently on card.
- Press power button to get to recording mode
- Press Ok button to start recording
- We recommend formatting card once a month.

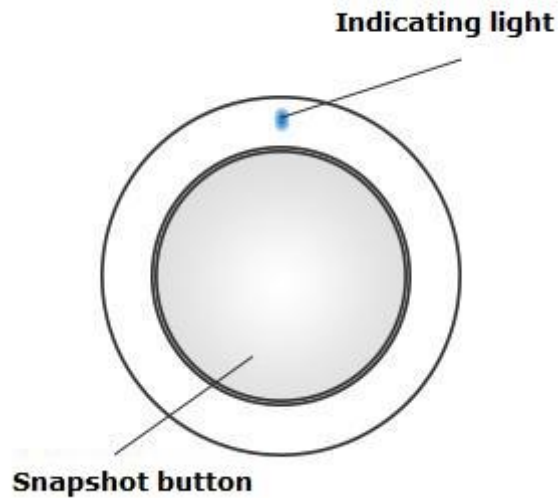
#### **Setup instructions to keep dash camera from freezing:**

- Press bottom left "OK" button, make sure camera is not recording.
- Once camera is not recording, press bottom left, MENU button until you are on Video Movie Mode Settings
- Use right/down button until you are on page 2 of 7 and highlight motion detection
- Press Ok and make sure it is OFF
- Press menu button to get into General Settings
- Use right/down button until you are on page 2 of 7 and highlight Parking Monitor
- Press Ok and make sure it is OFF
- Press power button to get to recording mode
- Press Ok button to start recording

#### **Master Reset port is next to sd card slot**

Using a safety pin, thumbtack, toothpick, etc. Press inside hole for a master reset of ORB WIFI dash camera.

## 2 ) Remote controller :



### II. Pairing dash cam and remote controller:

Power on dash cam, put battery cell into controller, press controller button and hold it. The indicating light flashes fast for 3-5 seconds, indicating that pairing is being done. When indicating light stops flashing, press controller button once again, and image on screen is locked and there is a snapshot sound, indicating pairing is done. Make sure arrow sign on the cover aligns to the right of the hanging string hole, tighten the cover by following “OPEN” or “CLOSE” direction. If pairing is not done, try again. If blue light is not on, it would mean low battery power. Replace with a new battery cell.

### III. Button description:

#### 1 ) Menu button: Function 1: Menu

Under Standby mode, short press on **【Menu button】** to enter main menu. Short press on **【Page up button】** or **【Page down button】** to select options, short press **【Menu button】** to shift between menu categories, and short press on **【Enter button】** to enter. Upon completion of setup, short press on **【Menu button】** to exit

menu setup. (Menu setup is same

under picture mode and play-back mode, but not available under video mode)

#### Function 2: SOS recording & lock-up

Under video mode, short press on **【Menu button】** to start SOS recording, a locked file icon appears on screen, video footage taken when accident happens is saved and locked up and will not be overwritten.

#### Function 3: Mode

Under standby mode, short press on **【Menu button】** to shift between different modes (video/photo/video play-back/photo play-back).

#### 2) Page up button: Function 1: Page up

Under menu setup and play-back mode, page up

#### Function 2: Fast rewind

Under play-back mode, short press on **【Page up button】** for fast rewind

#### 3) Page down button:

#### Function 1: Page down

Under menu setup and play-back mode, page down

#### Function 2: Fast forward

Under play-back mode, short press on **【Page down button】** for fast forward

#### 4) Enter button:

#### Function 1: Turn on/off video taking

Under video mode, short press on **【Enter button】** to start taking video, another short press on **【Enter button】** to stop taking video.

#### Function 2: Photo taking

Under photo mode, short press on **【Enter button】** to take photo

Function 3: Video play

Under file browse mode, short press on **【Enter button】** to play video

Function 4: Enter

Under standby/video/photo/play-back mode, short press on **【Menu button】** to enter menu, short press on **【Page up button】** or **【Page down button】** to browse, short press on **【Enter button】** to enter.

Power button:

To power on or power off dash cam: When dash cam is powered off, short press on **【Power button】** would power on dash cam. When dash cam is powered on, press **【Power button】** and hold it for 3 seconds and video footage and dash cam setup are saved, and dash cam is powered off.

Reset button:

When dash cam is down and is unable to power on or power off. Press **【Reset button】** to reset dash cam, then press **【Power button】** to restart dash cam.

#### IV. Function description:

1) Video taking: Install MICRO SD into dash cam to power source and power on dash cam, dash cam starts taking video, with indicating light flashes, REC icon shown on screen. Press **【Enter button】** to stop taking video, with indicating light steadily on, STBY icon shown on screen.

2) Photo taking: Under standby mode, short press on **【Menu button】** to enter photo mode, DVR icon on upper left corner of screen changes to camera icon. Short press on **【Enter button】** to take photo. To switch back to video mode, short press on

【Menu button】 twice.

3) Play-back: Play-back: Under standby mode, press 【Menu button】 twice to enter play-back mode. Press 【Page up button】 or 【Page down button】 to select video footage, press 【Enter button】 to play. Under play mode, press 【Enter button】 to pause, press 【Page up button】 or 【Page down button】 to fast forward or fast rewind.

4) G-sensor: When crash happens, with built-in G-sensor in dash cam, video footage taken during crash is saved and locked up, with lock icon appears on screen. The locked video footage will not be overwritten. Remarks: G-sensor sensitivity is adjustable from menu.

5) SOS recording: One-button lock-up function can lock video footage so it will not be overwritten. Under video mode, short press on 【Menu button】 to lock video footage so that it will not be overwritten.

6) Parking monitor: When dash cam is powered off, if dash cam detects any vibration around the vehicle, dash cam turns on automatically and start taking video, with video footage saved and locked up. Under battery power mode, without any operation within 10 seconds, dash cam will be powered off automatically.

7) Cycle-recording: Early video footage will be overwritten without any missing frames. Cycle recording setup can be done from video mode menu, with six options: Off (each video footage takes up 3.75 G, till FT vehicle is fully taken up, and video taking stops)/1 minute/2 minutes/ 3 minutes/ 5 minutes/10 minutes.

8) Audio on while taking video: Audio on/off

9) Date and time setup: Under standby mode, short press on 【Menu button】 to

enter system setup menu, short press on **【Page up button】** or **【Page down button】** to move cursor to date setup options. Short press on **【Enter button】** to enter menu setup. Remarks: Please make sure correct date and time is set up to ensure valid video footage as evidence in case of accident.

10) USB mode: Connect dash cam with PC via cable. Two modes will be shown on screen, USB and camera. Short press on **【Page up button】** or **【Page down button】** to select USB option, then short press on **【Enter button】** to enter USB mode.

11) Charging the battery: Plug to power source, and red indicating light is on, indicating ongoing battery charging. Red light dims as battery charging goes, till battery is fully charged and red light is off.

12) Screen off timing: Screen can be turned off automatically to save battery power. Under system menu, from “Screen off timing” menu, four options are available: Off/3 minutes/5 minutes/10 minutes. For example, “3 minutes” option would mean dash cam goes to power saving mode after dash cam is turned on for 3 minutes and then screen is off. Default setting is “Off”

13) App: Under standby mode, short press on **【Menu button】** to enter menu, short press on **【Menu button】** again to switch to system setup. Select WIFI, short press on **【Enter button】** to view SSID and PSW. Under mobile phone setup menu, connect SSID, run App to browse, view or play-back video.

## V. Installing guide:

- 1) Turn off engine of the vehicle
- 2) Put MICRO SD into dash cam



Attention: Please use high-speed MICRO SD (Class 10 or above), with capacity at least 8G. MICRO SD must be formatted on dash cam prior to using for the first time.

- 3) Attach windshield mount to dash cam
- 4) Plug vehicle charger to cigar lighter
- 5) Connect USB and vehicle charger with extension charging cable

Remarks: Wiring can be hidden along edge of windshield

- 6) Adjust lens position, and make sure it is parallel with ground surface
- 7) Turn on vehicle, and make sure dash cam is correctly installed

Remarks: When dash cam is correctly installed, indicating light is on. Dash cam starts taking video, with REC light on.

#### VI. Specifications:

Chip-set	MSTAR MSC8328P
Sensor	SONY IMX323
Screen	1.54 inch
Video format	MP4
Picture resolution	2048*1536
Snapshot resolution	1920*1080
Picture format	JPG
Memory vehicled	Support MICRO SD vehicled up to 64 G
LDWS	Support
FCWS	Support
GPS	Support
Remote controller	Support
WDS	Support
USB type	USB2.0

<b>Power supply port</b>	<b>USB2.0 DC5V 1A</b>
<b>Frequency</b>	<b>50HZ/60HZ</b>
<b>Battery</b>	<b>140mAh 3.7V lithium battery</b>
<b>Current</b>	<b>450mA</b>
<b>Mic/speaker</b>	<b>Support</b>
<b>Language</b>	<b>Simplified Chinese/English/French/Japanese</b>

Remarks: Specification is subject to change due to factors including system upgrade

## VII. Remarks:

- 1) Please use authorized power adapter only. Use of unauthorized power adapter could cause damage to dash cam
- 2) Avoid use of dash cam in extreme humid or extreme high temperature environments
- 3) Keep lens clean to avoid poor video quality
- 4) Do not disassemble dash cam. Disassembling will void warranty
- 5) Illegal use of dash cam is prohibited