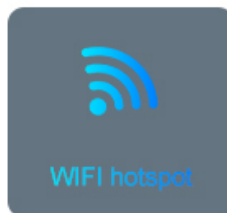
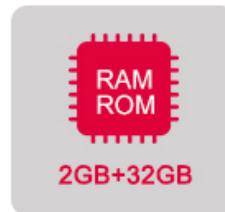


# LiveEye 1-4 Cam Live Streaming 4G/WIFI Dash Cam System - View 1 to 4 Cams from Anywhere in the World

## WIRING DIAGRAM

—**SAFE DRIVING**



**WITH BUILT IN  
MICROPHONE**

# INTRODUCTION



## DESCRIPTION

- ① Screen Power Button
- ② Installation Bracket
- ③ Touch Screen Monitor
- ④ DVR Menu
- ⑤ 4-CH Video Camera Showing
- ⑥ SIM Card & SD Card Lock
- ⑦ USB Port
- ⑧ SIM Card Slot
- ⑨ Micro SD Card Slot
- ⑩ Tale Cable: 4-CH Video Input, Power cable, Channels trigger cable etc

### Power Button Functions:

- Press one time: Monitor will turn off - system is still recording and time will be displayed.
- Press twice: Monitor will turn off - system is still recording and time will not be displayed.
- Press three times: Screen powers back on to see main menu/cameras.

**How to Shut Down Monitor:** Must disconnect power wire harness from direct power source.

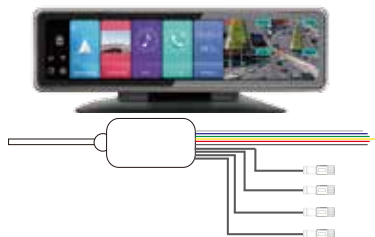
If device detects low voltage, the device will automatically power down.

**Device Icons:** Connected to Internal hot spot / 4G Signal / GPS Signal / WIFI Signal / Bluetooth



## What is Included

1



Monitor with DC power wire harness, and 4 camera cable connectors

2



Horizontal Installation Bracket x1PCS

3



Vertical Installation Bracket x 1PCS

4



GPS Antenna x1PCS

5



Micro SD card and sim card door lock x1PCS

6



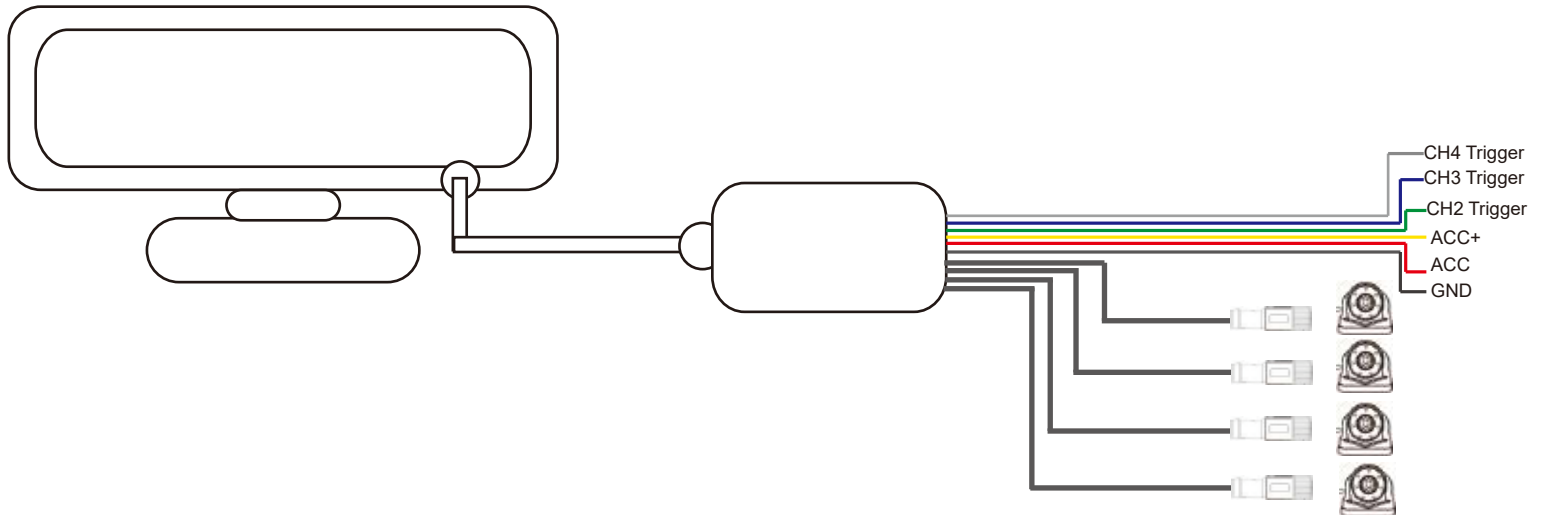
Sim Card Release Tool

7

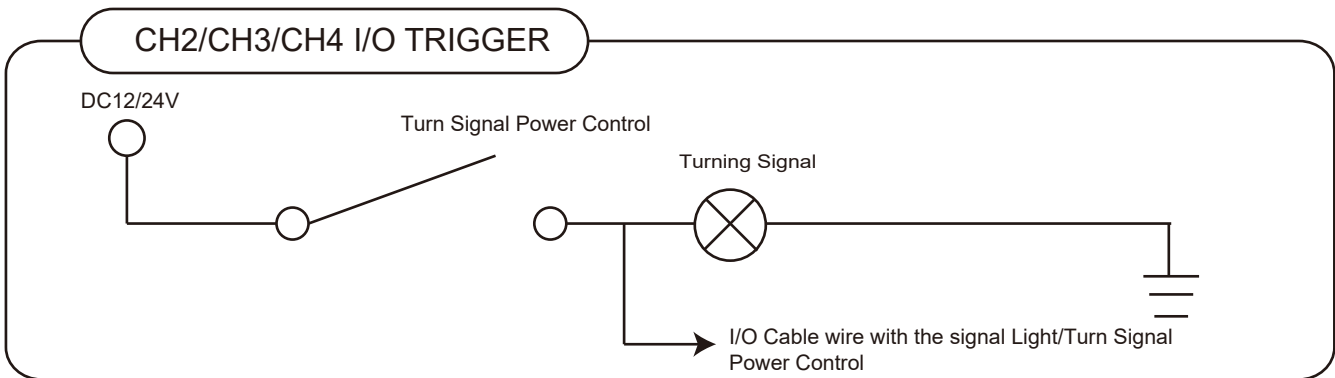


Micro SD card and sim card door lock release Screw Driver x 1PCS

# WIRE DIAGRAM



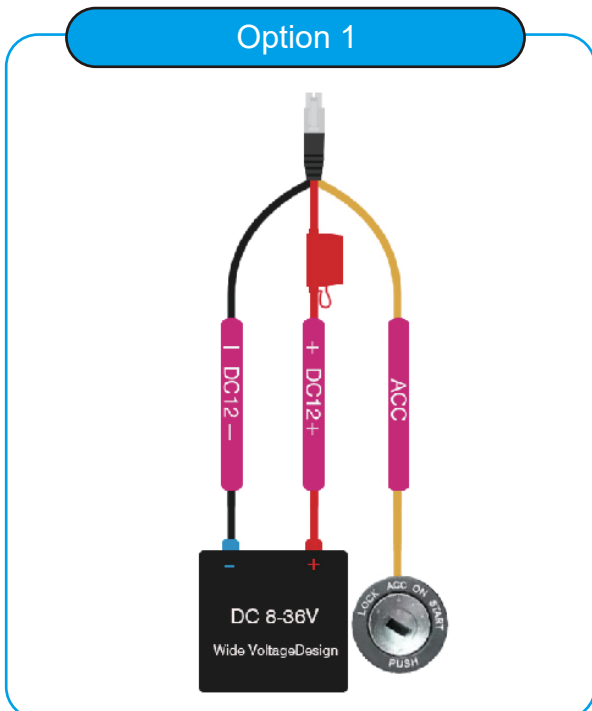
## CH2/CH3/CH4 I/O TRIGGER



# Power Wire Connections

The only way to fully power off device is to disconnect the power wire harness from the main power source.

## Option 1



## Recommended Option

