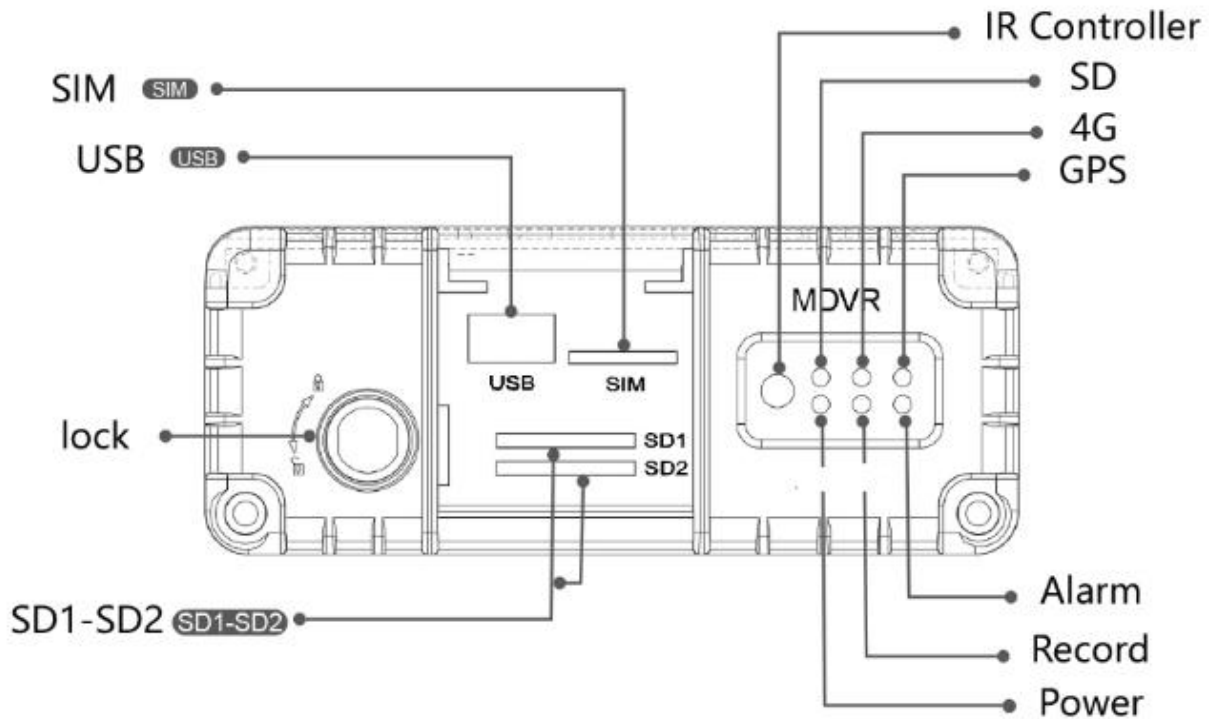

1080P 4G WIFI 3-5 Cam DVR System

Installation Instructions



4. Front Diagram Description

Front-interface



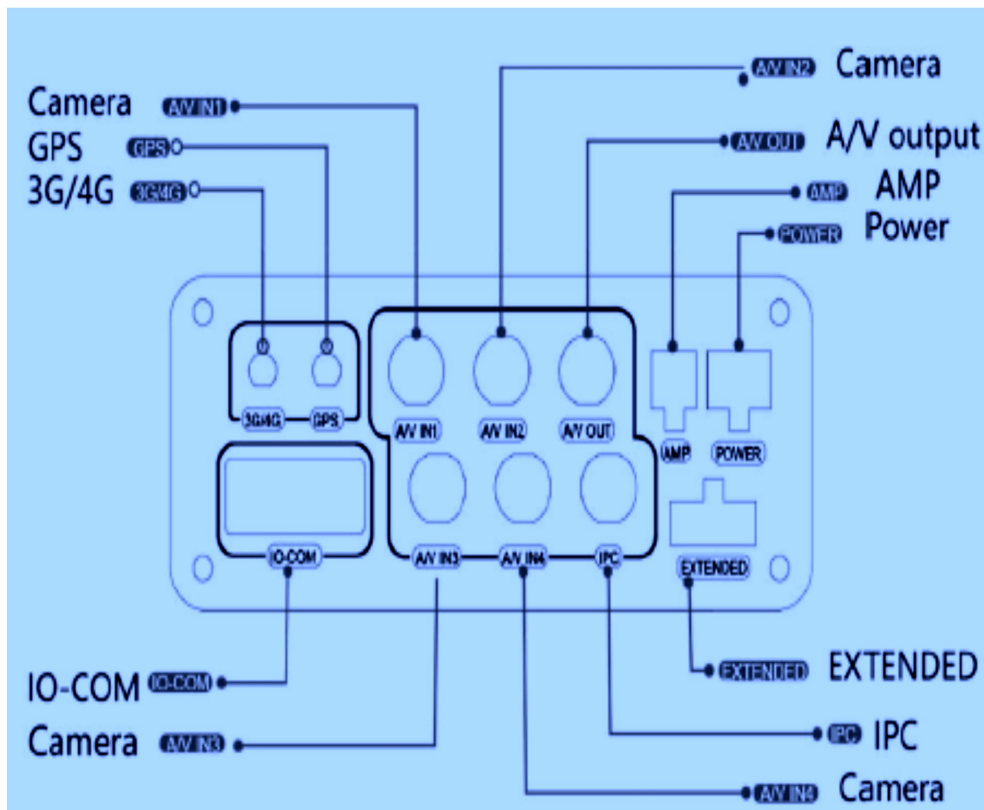
Front Panel Interface and Indicator Lights

Panel	Name	Description
Interface	SD1/SD2	SD card slot, 2 SD card loop recording
	SIM	3G/4G sim card, 3G/4G dial-up Internet access
Indicator Lights	Power	Red: the power light is bright when it detects that there is input power.
	REC	Green: Recording indicator light, the video light is on when the device is recording, no video light is off
	SD1/SD2	Green: SD card indicator light, the light is on when the SD card is detected, otherwise it is off.
IR	Cable interface	Receiving remote controller button
Electrical Lock	Electrical Lock	SD card and SIM card bezel lock, can not be activated without locking the host, open the lock host automatically standby

5. Back Diagram Connection Guide

Back interface

Please note don't connect the IP camera with the AV/IN port,it may cause the device burn!



Rear Panel Interface and Descriptions

Panel Interface	Description
AV-IN1~AV-IN4	4-channel camera audio and video input interface
IPC	1 way IPC camera input interface
AV-OUT	Audio and video output interface
IO-COM-SPEED	8-channel IO alarm input, 2-channel alarm output; 2 RS485 interfaces, 2 RS232 interfaces; vehicle pulse speed interface
EXTENDED	Intercom interface, multi-function scheduling screen
AMP/CAN	External amplifier or CANBUS
POWER	Power input interface, DC8-36V
GPS	GPS Antenna
4G	4G Antenna
WIFI	WIFI Antenna

5. Attention

In order to enable users to use this series of products for a long time, safely and satisfactorily, please read the following warnings before installing and using the products:

1. The normal working voltage range of the device is DC 8V~36V. Please note that the power input should be directly connected to a stable source of power. Recommended power source is the automobile battery.
3. The device outputs 12V external voltage, which is only used for camera power supply. It is not allowed to connect any non-recommended equipment.
4. Connect the black ground wire to a correct connection of grounding.
5. The main black MNVR box should be installed in a dry and ventilated environment to avoid moisture, rain and vehicle cleaning liquids, keep the equipment away from heat, dust and strong magnetic field.
6. Prolonging service life of device, please install the equipment in a spot where the vibration is weak.
7. Do not stack debris within 20cm around the installation equipment, and do not have heavy objects pressed to ensure the heat dissipation environment.
8. The storage devices and modules on the device do not support hot swap. Do not insert or remove storage devices or modules while the device is powered on.
9. Please perform regular maintenance on the storage device hard disk or SD card: copy the video data to the computer and format it to protect and extend the performance and service life of the storage device.
10. Do not open or disassemble the equipment without the guidance of a professional technician.

6. Quick Setting

Connect cable test and start MDVR

The power supply of the main unit has three cable wires. Red, black and yellow. The red and black lines are directly connected to the car battery. The red line is connected to the positive pole, the black line is connected to the negative pole and the yellow line is connected to the ignition line (ACC). If the red and yellow lines are tested indoors, they can be connected together. Positive, then directly powered by DC12V,

Check that the power cable is connected properly. Make sure that the key gear hits the LOCK file after the cable is connected, and it will start normally. The power light is red after normal startup.

Connect the optional LCD Monitor output cable AV-OUT to the display and connect the corresponding device to the terminal to confirm that the connection is correct.

The following figure shows the test wiring and the actual loading power supply wiring:

