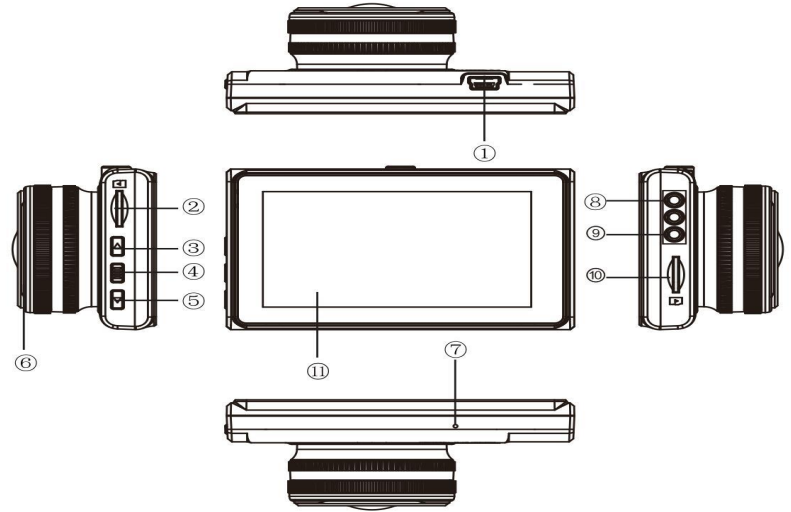
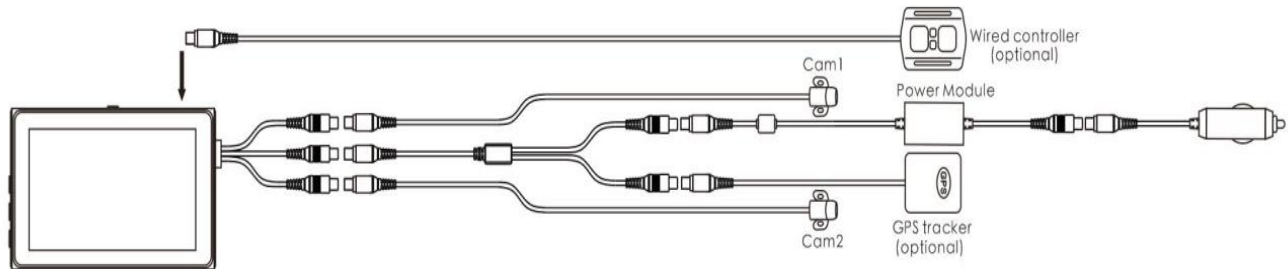


# 3 Dash Camera Quick Start Up Guide

1. Mini USB Power Supply Port
2. SD Card Slot 1 (saves main cam recordings)
3. Up Arrow (toggles between can views)
4. Power ON/OFF Button (Hold for 5 Secs for
5. Down Arrow
6. Front Facing Main Camera
7. Microphone
8. Outside Camera1 (displays right side of screen)
9. Outside Camera2 (displays left side of screen)
10. SD Card Slot2 (saves 2 outside cam recordings)
11. Main LCD Screen



The new design installation instructions



## 3 Dash Camera Initial Setup Instructions

**It is recommended that you FORMATT SD card. Make sure camera is not recording to view menu options**

Press middle power button and hold for 5 seconds

- On menu screen, using middle down arrow button, press 4x or until you highlight SD Card Icon with lighting bolt
- Press middle button. You will see Card 1 (Main camera recording) highlighted. Press middle button and then press down arrow button to highlight the check icon. Press middle button. SD card is now formatted.
- Use down arrow and highlight Card2 (Outside camera recording) Press middle button and then press down arrow button to highlight the check icon. Press middle button. SD card is now formatted.
- Once you are back on Main Menu screen, press up arrow 4x or until red video Icon is highlighted and press middle power button to get back to recording mode. It will automatically start recording.
- It is recommended that you FORMATT and ERASE the SD cards at least once every other month or more often. This is a process that takes seconds and will ensure that the 3 cam system runs smoothly and effectively. Make sure that before you FORMAT the SD card, that you save any video files on your computer/tablet/phone because formatting the SD card will erase all video files, even saved and locked video files
- **The outdoor 2nd and 3 cameras are weather and waterproof; however, they are not able to be submerged underwater for more than 60 seconds and cannot withstand direct contact (within 2-5 inches) with high pressure water pressure. If you submerge these cameras under water or wash these cameras with high pressure water, then warranty will be voided and condensation may occur inside the camera.**
- **THIS CAMERA RUNS HOT, which means after the camera is on for a couple of minutes; the camera will feel warm/hot to the touch. THIS IS NORMAL and this is how this camera will operate. We are aware of this and we have designed all components to work with this temperature.**
- **This unit has a wired CONTROLLER, which will allow you to turn off power, lock and protect videos manually. You do not HAVE to use this controller while you are driving, only if you wanted to turn off power or lock videos manually.**
- **This 3 cam system is designed for you to view the 2 outside (2nd and 3rd) cams in a split video on the LCD only. Even though the main cam video is not displayed on the screen, the main camera video is recording and is being saved to SD Card1. Due to a smaller LCD screen, we have designed this 3 cam to only display the 2nd and 3rd outside camera in a split screen display.**
- **Please visit [www.dashcam.co](http://www.dashcam.co) for instructional videos to learn how to operate and use your new 3 cam dash cam**