

2nd Generation Prime 2/4 Cam DVR Dash Cam Instructional Manual



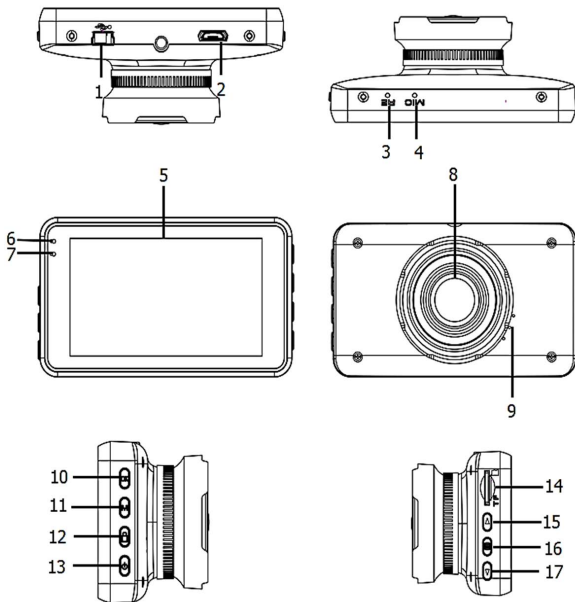
Index

1.	Index.....	
2.	Structure diagram.....	
	2.1 Features.....	
3.	Operation instruction.....	
	Part description.....	
	Button description.....	
4.	Indicating Light Description.....	
5.	Operating Instructions.....	
	Operating Instructions Continued.....	
6.	System Setup.....	
	Video setup.....	
	Parking monitor.....	
	Rear camera setting.....	
7.	Recording Mode.....	
	Camera Mode.....	
	Playback Mode.....	
8.	Specification.....	
9.	Specification.....	
	Specification continued.....	
	Trouble-shooting.....	
	Package Includes.....	

Features

This 2019 model records video and takes photos during driving. It adopts dual Sony323 1080P HD sensor for top of the line night vision performance.

Structure diagram



Part description

- | | | |
|----------------------------|------------------|---------------------------------|
| 1. USB Power Source | 8. HD Lens | 15. Up Button Selection Arrow |
| 2. 2. 2nd Outside Camera | 9. Speaker | 16. Menu Button |
| 3. Reset Button | 10.OK Button | 17. Down Button Selection Arrow |
| 4. Microphone | 11. Mode Button | |
| 5. 3.0 inch HD Screen | 12. Lock Button | |
| 6. LED Recording Indicator | 13.Power Button | |
| 7. LED Charging Indicator | 14. SD Card Slot | |

Button description

Button	Description
POWER ON/OFF	1.Short press to power on, long press to power off 2.While powered on status, short press to turn on LED light
OK	Stop Recording / Start Recording
MENU	Menu (M) button while not recording Menu (M) button - short press While not recording Gets to dash camera menu settings
Up Button Selection Arrow	Navigate Arrow
Down Button Selection Arrow	Navigate / toggle between cameras mode
RESET	RESET

Indicating light description

Name	Description
2 Indicating lights	When blue light flashes camera is recording video; When blue light stops flashing the recording stops. When Red light is solid camera is charging; when red light turns off the battery is fully charged.

Operating Instruction

POWER ON/OFF

1. Short press POWER Button to turn on and long press to turn off.
2. When the car charger is plugged in, the dash cam turns on and starts recording; when car charger is unplugged and dash cam battery fully charged, video files saved and dash cam powered off. Dash camera is not meant to stay on without a power source.

Battery charging:

Ways of battery charging

1. Charging via PC USB cable. Will not be able to record
2. Charging via car charger.

Charging battery icon on screen flashes while charging, with blue light flashing.

Operating Instruction Continued

Installing memory card

Push memory card into card slot per with metal on sd card facing forward.
Remove memory card: Gently push the sd card inward a bit, and then it releases, remove it from card slot.

Basic operations

Mode: Must stop recording to get into menu screen
Video mode: Is for recording videos
Photo mode: Is for taking photos
Playback mode: It for Reviewing videos and photos

Video setup -Must stop recording to get into menu screen

Resolution options: These settings ONLY WORK WHEN ONE CAMERA is being used to record:

WVGA P30 (Low), FHD P30 (Medium), HD P60 (High)

ONLY Resolution option when recording and using BOTH inside and Outside cameras: FHD P30+FHD P30

Loop recording (Used to measure increments in which camera records): 3 Minutes, 5 Minutes, 10 Minutes, Off

Exposure (Used to filter backgrounds): 0.0, -1/3, -2/3, -1.0, -4/3, -5/3, -2.0, 2.0, 5/3, 4/3, 1.0, 2/3, 1/3

Motion Detection (Used to monitor vehicle when unattended): On, Off Never have ON while driving.
ON- Will continue to record as normal, but if Motion is detected, recording will be locked and saved.

Record Audio (Used to record voice and sound in main camera area): On, Off

Date stamp (Used to show recording time & date information): On, Off

G-sensor Used to lock and store recordings when a sudden impact is detected (accident) or when hard braking is applied):
Low, Medium, High, Off
Recommended setting is LOW

Must stop recording to get into menu screen

Delay Time lapse when recording:

1 Second, 5 Seconds, 10 Seconds, Off

Dual Cam Display (Used to determine which camera is to be viewed): Front, Behind, Both

Setup

Date/Time, Plate number, Auto power off, Beep sound, Language, Frequency, TV mode, Format, Default setting, Version, Screen saver, Version Delete all, Lock all, Unlock all

Video Mode Options

Video recording: Switch to video mode, press OK button to start/stop recording video.

Photo Taking: Switch to camera mode, press OK to take photo

Playback: Switch to playback mode, press LEFT/RIGHT button to select video files, press OK button to play/pause.

Parking monitor ON/OFF

Never have ON while driving.

ON- Power off dash camera and when vibration or motion is detected it will turn on dash cam and start recording. Video is saved and locked.

Dash cam will automatically go back into parking monitor mode based on the time amount that is set in loop recording

Outside Second Camera Setting

Plug second camera to HD port on dash cam, follow the sequence of: Left down arrow to toggle between camera's.

Video setup - Resolution setup

To start dual camera recording, only resolution option is: "FHDP30+FHDP30".

Must stop recording to get into menu screen

System setup

Press Middle left MENU button to enter main menu, go to SETUP menu and select desired options via OK button. Return to main menu via middle left MENU button

System setup options

Date/Time: Used to set Date and Time. Use Right, Left, and OK buttons to change values and press Menu button to save.

Auto power off: Used to turn camera off after unit is first powered on. Off/1 minute/3 minutes/5 minutes

Language: Used to select language: Chinese simplified/Chinese traditional/English/French/Japanese/Russian/German/Italian/Portuguese/ Spanish etc.

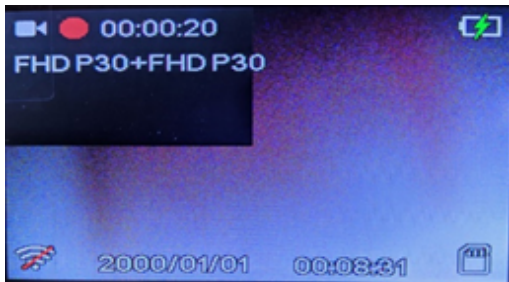
Frequency: Used to clear frequency barriers that arrive. 50Hz/60Hz **Format SD**

Card: Cancel/OK

This will erase every recording or photo taken even ones that are saved on the card

Default setting: Restore default setting, Cancel/OK

Recording Mode



As shown in picture;

Press the "OK" button to start recording, the video red, top left icon will start to flash, and the blue indicator will start flashing. You are now in record mode.

Camera Mode

1. Mass Storage

Storing video files and photos.

2. Camera

For PC cam mode.

3. Video

Select to go to dash cam interface.

Playback Mode

Delete all: Used to delete videos and photos: Delete all video, Cancel/OK

Lock all: Used to lock videos and photos Lock all video, Cancel/OK

Unlock all: Used to unlock videos and photos: Unlock all video, Cancel/OK

USB

Connect USB with PC, power on and USB menu pops up

Specification

Sensor	Dual Sony IMX323
Lens:	6 glass 1.8 wide angle lens
Resolution:	FHD1080P@30FPS+FHD1080P@30FPS Built-in lens 300W pixels
Camera mode	12 million
Video format:	H.265
Photo format:	JPEG
Frame rate:	H.264@1080P 30fp/s H.264@720P 60fp/s H.264@720P 30fp/s
G-sensor:	Built in 3-axis solid collision detection
Record mode:	Loop recording, time lapse recording
Parking monitoring	Supports
Memory card:	Support TF memory card 8GB~128GB
LCD:	3.0 inch
Video output:	HDMI,AV OUT
Boot time:	2S
Working voltage:	DC 5V 1.5A
Motion detection	Supports
USB:	USB 2.0 disk
Video specification:	FHD1080P=1920*1080 / 1080P=1440*1080/

Light source	frequency 50HZ/60HZ
Image resolution:	12M 4032*3024 10M 3648*2736 8M 3264*2448 5M 2592*1944 3M 2048*1536
Working current:	450mA (typical value) (DC 5V)
Quiescent current:	20uA
Storage temperature: °C	(-20°C-70°C)
Operating temperature: °C	(0°C-60°C)
Operation humidity (RH)	15%-60% RH
Battery:	Built-in polymer battery 240mAh

Troubleshooting:

If recording stops:

Due to the huge HD video data, please use the high-speed TF SD card. Recordings may stop if SD card is full with locked video

“File Error” prompt appears when viewing pictures, in playback video or recording mode

When the TF card stores data, an error occurs, and the file is incomplete. Please use the “Format” function of Dash cam to reformat the TF card.

The image taken is foggy

Check the lens for dirt and fingerprints; use lens cloth to wipe the lens before taking a picture.

When shooting scenes such as the sky and the water, the image is very dark.

The camera's auto exposure function is affected in large contrast scenes and can be corrected by adjusting the “EV” value in the machine setup menu.

Under cloudy and indoor light, the color performance is not perfect

Please check the machine “White Balance” function ,if it was be set to automatic.

There are horizontal stripes in the image

This is caused by setting the wrong “light source frequency”. Please set it to “50Hz” or “60Hz” according to the local power supply frequency.

When the machine freeze

Press the reset button to resume recovery.

Packaging accessories:

1. 2nd Gen Prime Front Facing Dash Camera
2. Outside Weather-proof Camera
3. Windshield Suction Mount
4. CLA Power Cord
5. USB Data transfer cable
6. Instructional Manual