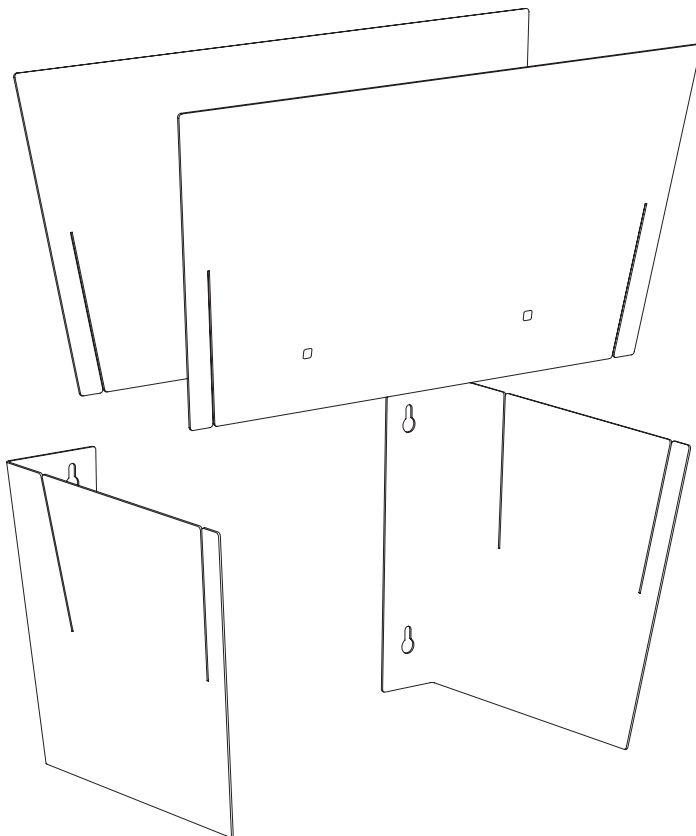
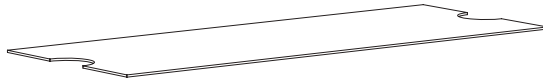
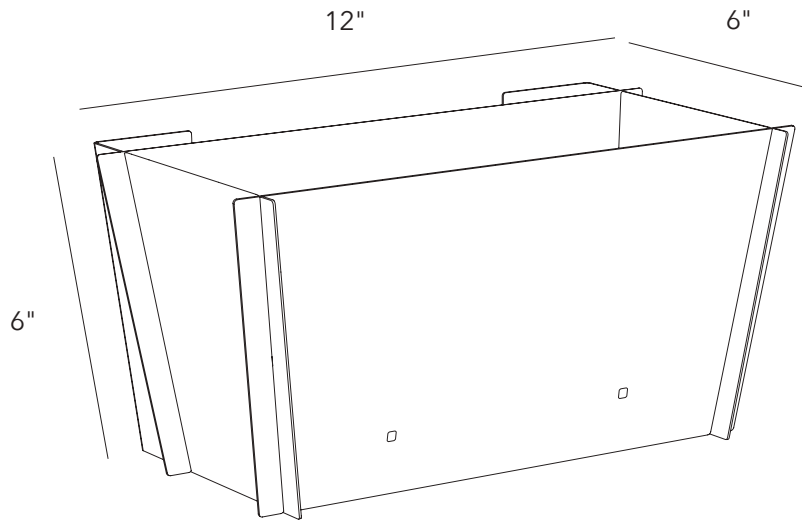




WALL PLANTER

Bring modern design with a touch of green to any wall. The Wall Planter can be mounted to a variety of vertical surfaces with quick and easy assembly. Hang one or more for an arrangement that fits any wall type. The Groovebox Wall Planter creates a visually striking focal point for a variety of environments.



WALL PLANTER

SPECIFICATIONS

sku
GB0WP160

materials
steel

colors
white, tangerine orange, dark brown

finish
U.V. resistant matte powder coat

dimensions
12" w x 6" d x 6" h

weight
5 lbs

planter
1.2 mm steel
7/16" hole size for hanging / fasteners not included

includes
planter w/drainage holes and wall brackets for hanging

TOOL-FREE ASSEMBLY

Features a unique, patent pending assembly system that is simple, understandable and tool-free.

FLAT-PACK DESIGN

Flat-Pack parts allow for efficient shipping and installation for both domestic and international projects.

MODULAR COLLECTION

Groovebox is a collection of elements that can be configured in creative ways to address various project types, sizes and applications.