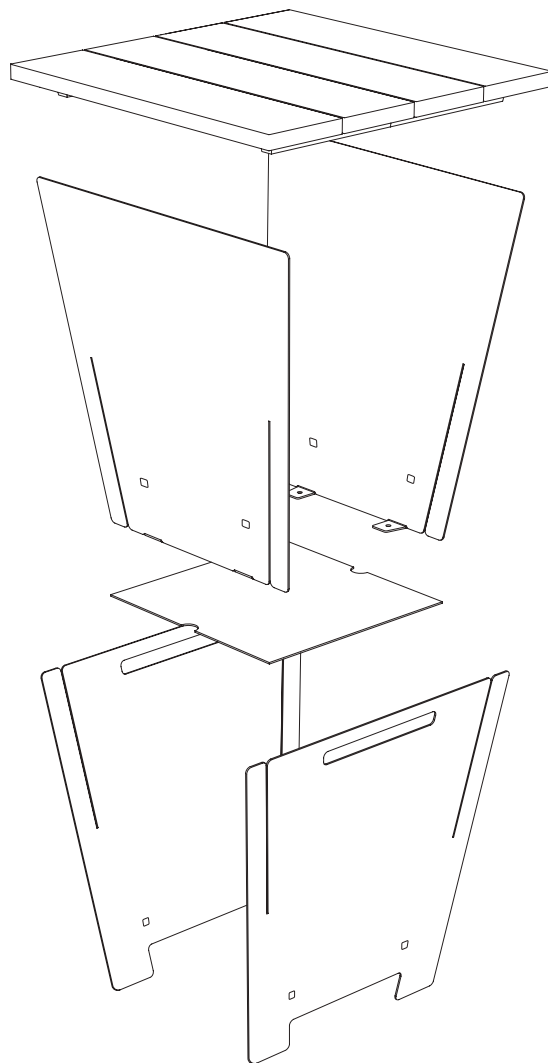
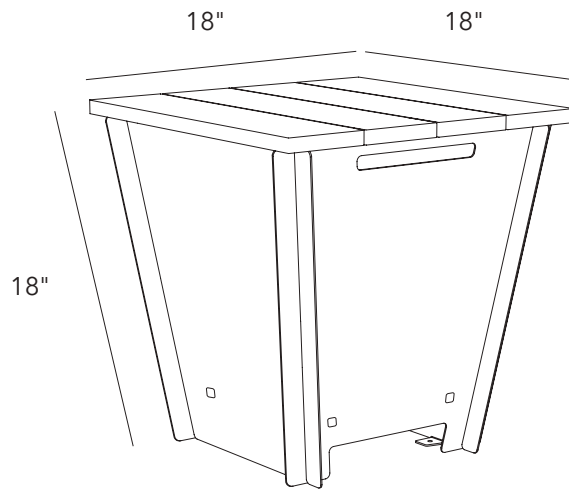




STOOL

At 18 inches high, the Groovebox Stool provides a comfortable height for a both stool and table. Aesthetically, the design displays clean, contemporary lines through an integration of steel and bamboo. Functionally, the design is simple and durable. The Groovebox Stool complements traditional and contemporary architecture in both public and private environments.



STOOL

SPECIFICATIONS

sku
GBOSE400

materials
steel, crushed bamboo

colors
white, tangerine orange, dark brown

finish
U.V. resistant matte powder coat

dimensions
18" w x 18" d x 18" h

weight
52 lbs

base
3 mm steel
can be permanently installed by bolting
(4) tabs on base to ground / 0.28" hole size
bolts not included

top
18" w x 18" d x .75" h
U.V. and rot resistant crushed bamboo
option to secure top to base w/ screws

includes
steel base
crushed bamboo top
stainless steel hex screws (4)

TOOL-FREE ASSEMBLY

Features a unique, patent pending assembly system that is simple, understandable and tool-free.

FLAT-PACK DESIGN

Flat-Pack parts allow for efficient shipping and installation for both domestic and international projects.

MODULAR COLLECTION

Groovebox is a collection of elements that can be configured in creative ways to address various project types, sizes and applications.