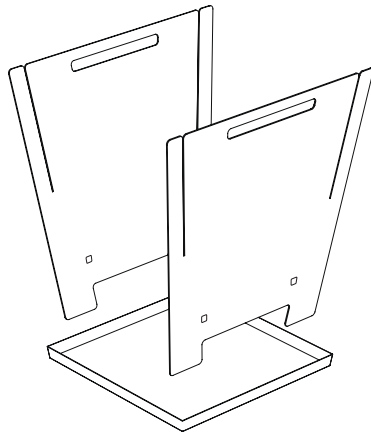
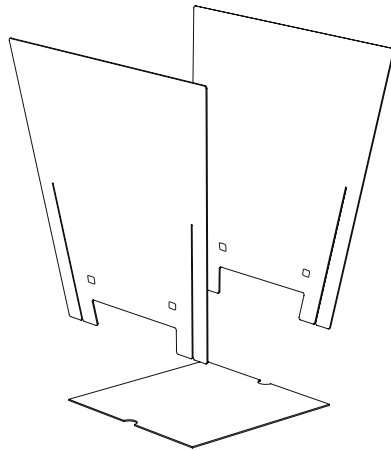
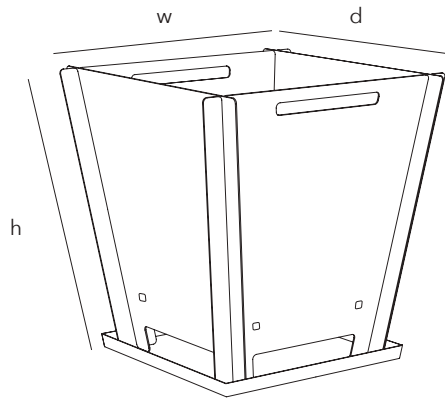




## PLANTERS

Small spaces to public places, Groovebox Planters are available in a variety of complementary sizes. These flat pack planters are highly functional as well as visually striking. The larger planters are the perfect solution for rooftops, urban streetscapes, plazas, and residential designs. The smaller planters are great for both outdoors and in. Use them as table top displays, groupings in small garden spaces, and more.



# PLANTERS

## SPECIFICATIONS

### sku

6": GB00P100  
 9": GB00P115  
 12": GB00P120  
 18": GB00P130  
 24": GB00P135

### materials

steel

### colors

white, tangerine orange, dark brown

### finish

U.V. resistant matte powder coat

### dimensions

6": 6" w x 6" d x 6" h  
 9": 9" w x 9" d x 9" h  
 12": 12" w x 12" d x 12" h  
 18": 18" w x 18" d x 18" h  
 24": 24" w x 24" d x 24" h

### weight

6": 2 lbs  
 9": 5 lbs  
 12": 11 lbs  
 18": 30 lbs  
 24": 56 lbs

### planter

6": 1 mm steel  
 9": 1 mm steel  
 12": 1.5 mm steel  
 18": 2 mm steel  
 24": 2 mm steel

### includes

planter w/ drainage holes  
 drainage tray

## TOOL-FREE ASSEMBLY

Features a unique, patent pending assembly system that is simple, understandable and tool-free.

## FLAT-PACK DESIGN

Flat-Pack parts allow for efficient shipping and installation for both domestic and international projects.

## MODULAR COLLECTION

Groovebox is a collection of elements that can be configured in creative ways to address various project types, sizes and applications.