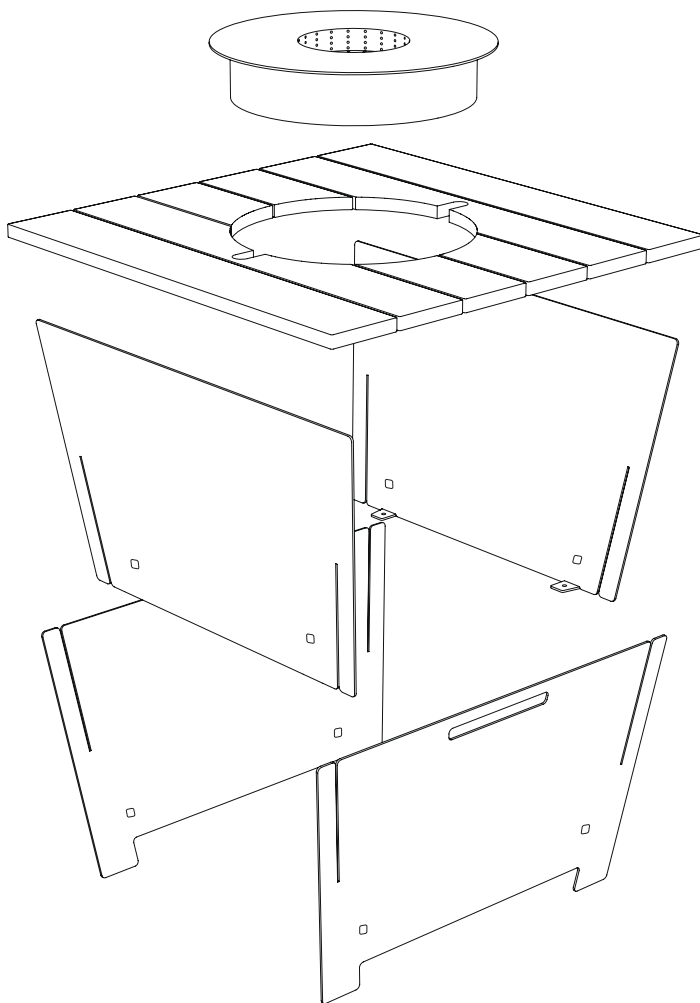
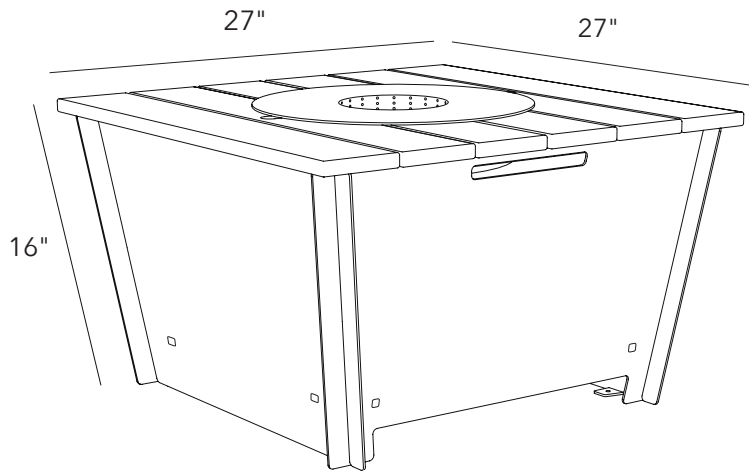




FIRE TABLE

The Groovebox Fire Table is unique in that it provides both a fire feature and table that can be used together. This design is perfect for placing drinks and other small items on the table surface while enjoying the beauty of the flame. The eco-friendly, bioethanol burner sits flush into a cut out on the crushed bamboo table top. Enjoy this fire feature with other elements from the Groovebox Collection for a unique, contemporary space.



FIRE TABLE

SPECIFICATIONS

sku
GB0BF235

materials
steel, crushed bamboo

colors
white, tangerine orange, dark brown

finish
U.V. resistant matte powder coat

dimensions
27" w x 27" d x 16" h

weight
92 lbs

base
3 mm steel
can be permanently installed by bolting
(4) tabs on base to ground / bolts not
included / 0.28" hole size

top
27" w x 27" d x .75" h
U.V. and rot resistant crushed bamboo

burner
stainless steel
uses 3.5 L bioethanol fuel
heat output: 28,000 BTU
burn time: 3-4 hrs

includes
steel base
crushed bamboo top
stainless steel hex screws (4)
stainless steel burner
black waterproof polyester cover

TOOL-FREE ASSEMBLY

Features a unique, patent pending assembly system that is simple, understandable and tool-free.

FLAT-PACK DESIGN

Flat-Pack parts allow for efficient shipping and installation for both domestic and international projects.

MODULAR COLLECTION

Groovebox is a collection of elements that can be configured in creative ways to address various project types, sizes and applications.