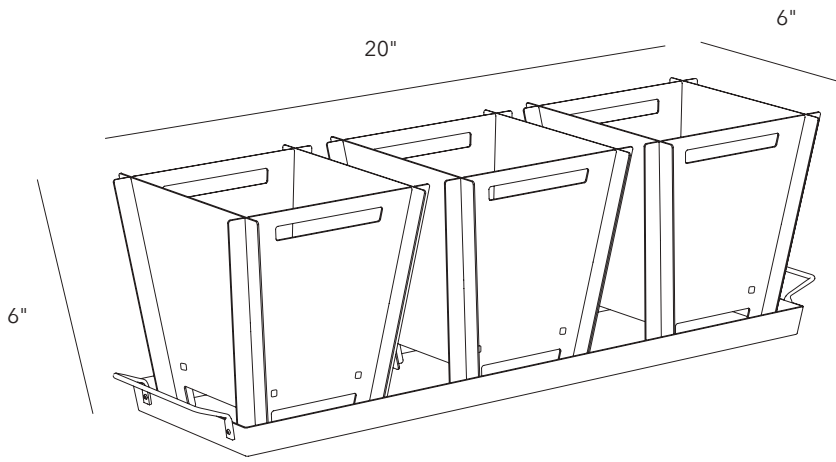




3 PLANTER SET

Window sills to picnic tables, the 3 Planter set is right at home both indoors and out. The design combines three 6" planters that fit onto a rectangular tray with handles. Perfect for growing herbs, succulents, and other small plants. The handles make the 3 Planter Set portable, allowing for easy transitioning between spaces for watering, sunlight, and new display areas.



3 PLANTER SET

SPECIFICATIONS

sku
GBOPT102

materials
steel

colors
white, tangerine orange, dark brown

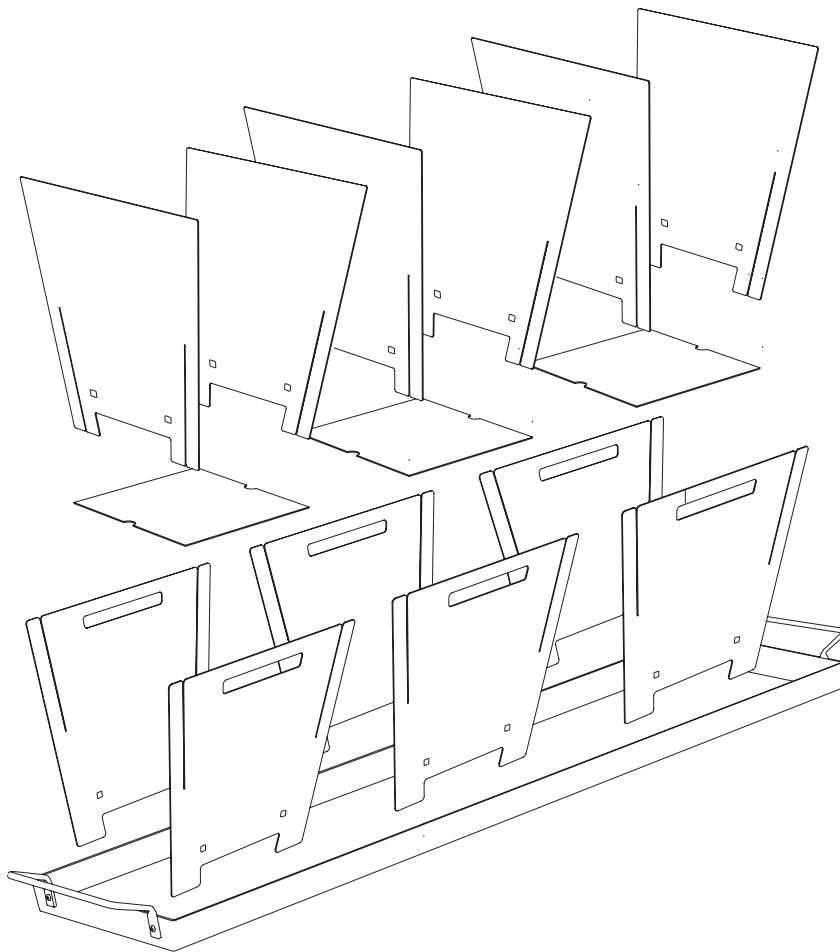
finish
U.V. resistant matte powder coat

dimensions
20" w x 6" d x 6" h

weight
6 lbs

planter
1 mm steel

includes
planters (3)
planter inserts w/ drainage holes (3)
drainage tray w/ stainless steel handles



TOOL-FREE ASSEMBLY

Features a unique, patent pending assembly system that is simple, understandable and tool-free.

FLAT-PACK DESIGN

Flat-Pack parts allow for efficient shipping and installation for both domestic and international projects.

MODULAR COLLECTION

Groovebox is a collection of elements that can be configured in creative ways to address various project types, sizes and applications.

