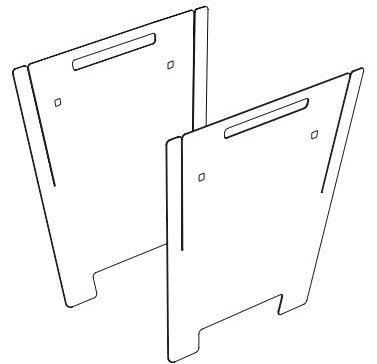
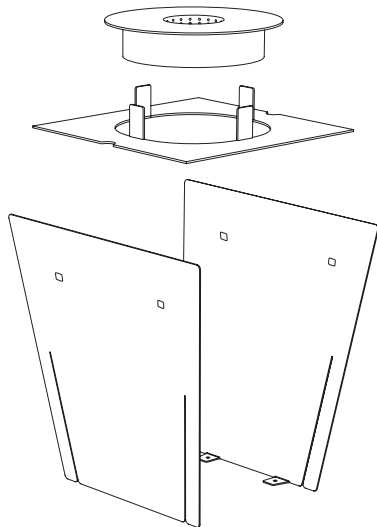
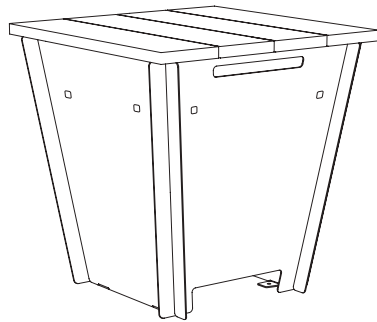
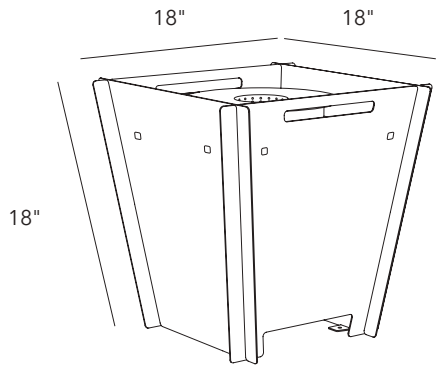




### 18" FIRE PIT

The 18" Groovebox Fire Pit makes a bold statement in even the tiniest of spaces; perfect for small gatherings around the fire or as complementary decor for ambience. The eco-friendly design utilizes a bioethanol burner which is clean burning, smoke-free and quick to set up. A crushed bamboo top makes this fire feature multi-functional; enjoy as both a fire and table.



# 18" FIRE PIT

## SPECIFICATIONS

**sku**  
GB0BF220

**materials**  
steel, crushed bamboo

**colors**  
white, tangerine orange, dark brown

**finish**  
U.V. resistant matte powder coat

**dimensions**  
18" w x 18" d x 18" h

**weight**  
78 lbs

**base**  
3 mm steel  
can be permanently installed by bolting  
(4) tabs on base to ground / bolts not  
included / 0.28" hole size

**top**  
18" w x 18" d x .75" h  
U.V. and rot resistant crushed bamboo

**burner**  
stainless steel  
uses 0.8 L bioethanol fuel  
heat output: 10,000 BTU  
burn time: 2-3 hrs

**includes**  
steel base  
crushed bamboo top  
stainless steel burner  
gray river rocks  
black waterproof polyester cover

## TOOL-FREE ASSEMBLY

Features a unique, patent pending assembly system that is simple, understandable and tool-free.

## FLAT-PACK DESIGN

Flat-Pack parts allow for efficient shipping and installation for both domestic and international projects.

## MODULAR COLLECTION

Groovebox is a collection of elements that can be configured in creative ways to address various project types, sizes and applications.