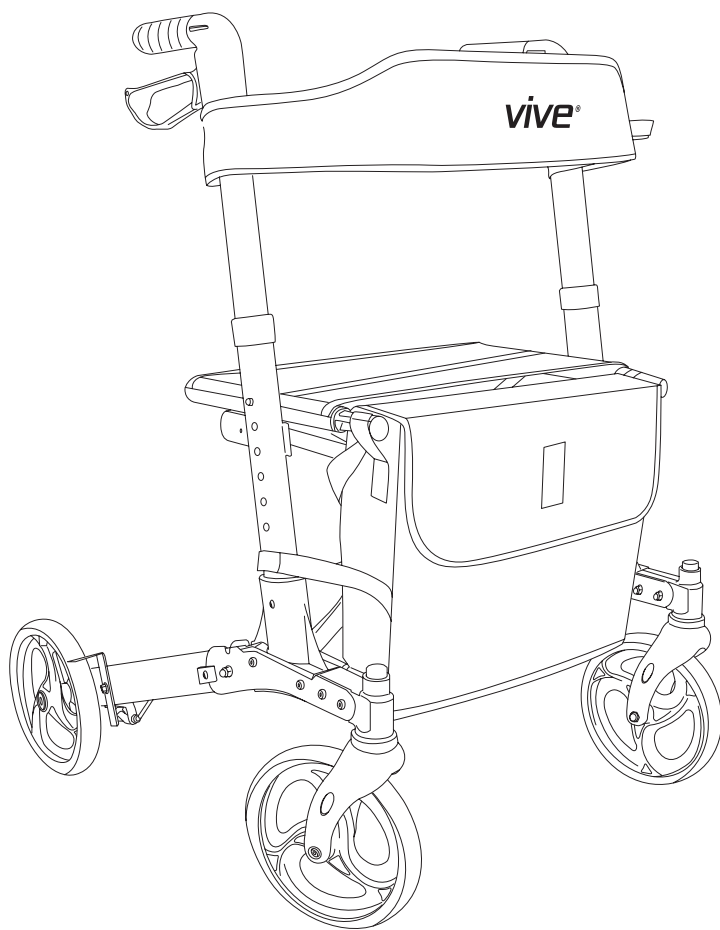


vive®

ROLLATOR

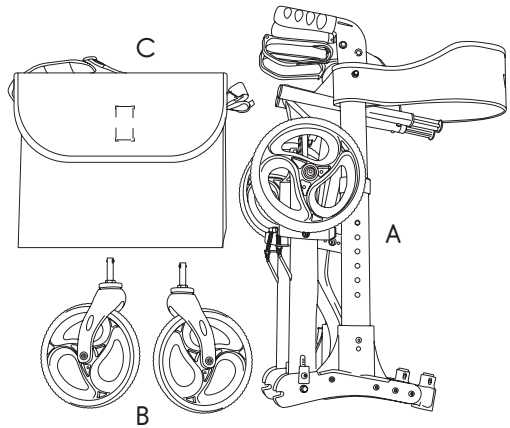
User Manual
MOB1010



vivehealth.com

PARTS LIST

- A) 1X Rollator Frame
- B) 2X Removable Front Wheels
- C) Rollator Bag



SPECIFICATIONS

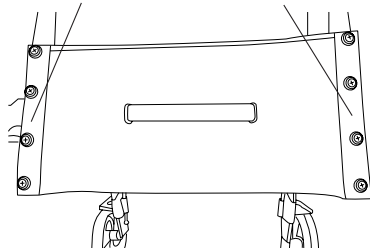
- Overall Width: 25.5"
- Overall Length: 25.5"
- Armrest Lowest Height: 32.5"
- Armrest Highest Height: 38.75"
- Seat Height: 24"
- Seat Depth: 7.85"
- Folded Width: 10.8"
- Shopping Bag Weight Capacity: 11 LBS
- Product Weight: 19 LBS
- Max User Weight: 300 LBS

WARNING

- Do not use strong corrosive cleaner to clean the product's surface.
- Do not use acid and alkaline solution or polishing agent is wiped.
- Product can not be put outside in rainy conditions
- Before sitting down on the seat, please lock both brakes to prevent the rollator from sliding.
- Do not hand any heavy weighted items on either of the armrests as it will cause the rollator to be unstable.
- Please fold the rollator before storage.
- This item is meant to be a walking aid. This means that it is not built to support the full weight of ones body, it is only meant to assist you while walking. If a large amount of force is placed on this item, even when brakes are in locked position, this can cause the item to move out of its position.

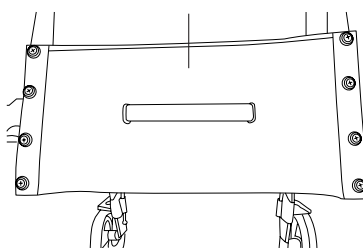
FOLDING/UNFOLDING INSTRUCTIONS

Press Down Here



Open Rollator

Pull Handle to Fold

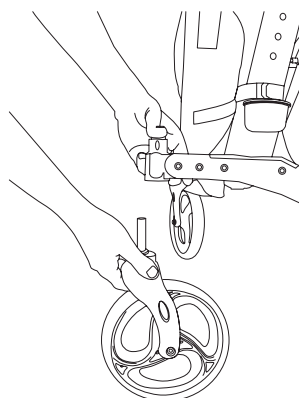


Fold Rollator

ATTACHING/DETACHING FRONT WHEELS

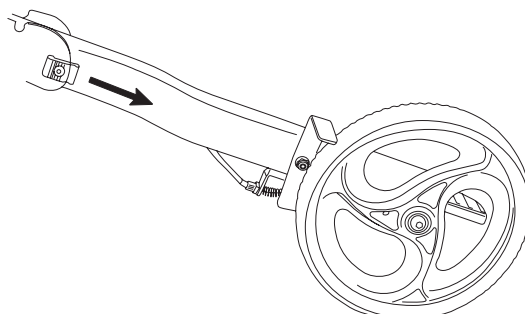
Insert the wheels into the front wheel slot. Be sure you hear a click indicating the wheel is securely in place.

To detach the wheels, simply press the black button and pull down the wheels.



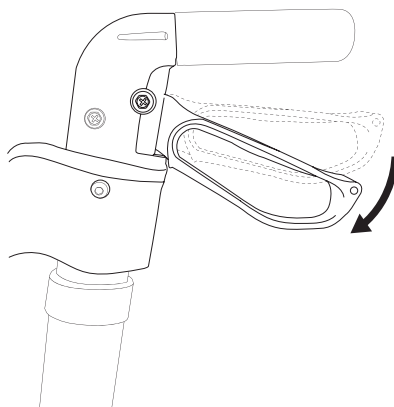
FOLDING/UNFOLDING REAR WHEELS

Slide the black tabs on both sides of the arm towards the wheel until it is out of the locking groove, then rotate the arm up or down until it clicks into place in the other locking groove.



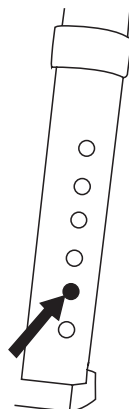
LOCKING THE BRAKES

Push down on the hand brake firmly to lock the parking break.



ADJUSTING HANDLEBAR HEIGHT

Press the locking pin and adjust the position of the handlebars to your desired height.



ACTIVATE YOUR GUARANTEE



You are protected by Vive Health's industry leading guarantees and customer service:

If you did not purchase through vivehealth.com, please register at vivehealth.com/register to validate your guarantee.

Product Code: MOBO1010

✉ service@vivehealth.com

☎ 1-800-487-3808
Monday - Friday 9am - 5pm EST