

vive®



TOILET SEAT RISER WITH HANDLES

Owner's Manual
LVA1071S

vivehealth.com

WHAT'S INCLUDED

- 2x 6.125" Long Screws (Flat Head)
- 2x Round Plastic Washers (1.18" Outer Diameter)
- 2x Round Metal Washers (0.95" Outer Diameter)
- 2x Wing Nuts

OVERVIEW

We are constantly answering questions and recording helpful videos to make using your Vive Toilet Seat Riser with Handles as easy as possible. Throughout the manual we will include QR codes and links to important videos that you can visit to help you.



To see all of the FAQs in one place visit vhealth.link/fc108

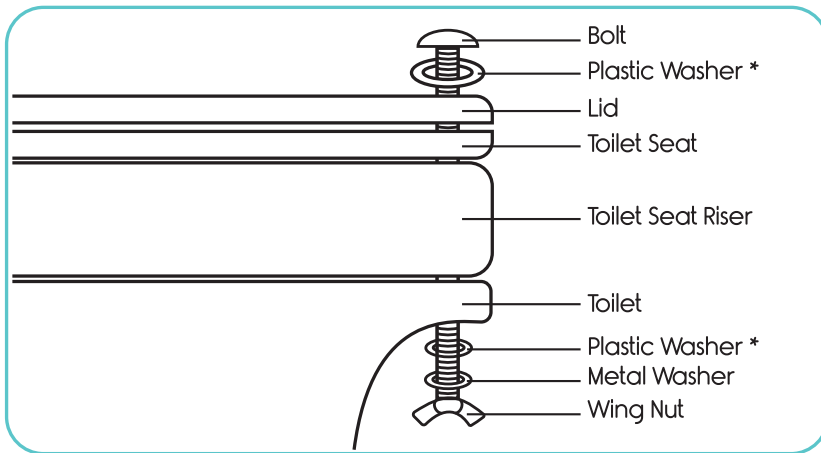
INSTALLATION INSTRUCTIONS



Want to watch us do this? Check out vhealth.link/5e23d for an easy instructional video.

1. Fit the handles into the sockets on the sides of the riser. Each handle and socket is marked with a colored label. Press the locking pins into the handle, fit the handle into the sockets, and push in until the locking pins snap into place.
2. Unfasten the existing toilet seat and lid from the toilet and set aside.
3. Place the toilet seat riser on the toilet rim with the black grip pads down and align screwholes in back with seat mounting holes on toilet.

4. Attach the original toilet seat and lid on top of the toilet seat riser using the included hardware. Thread the screws through the holes in the back of the seat. The plastic washers are normally placed on the underside of the toilet between the toilet and the metal washer, but placement can be adjusted depending on fit.
5. Tighten each screw with the included wing nuts.



Note: Plastic Washer placement may vary. Place the plastic washer above the lid if needed to secure the head of the bolt. Otherwise, place plastic washer between toilet and metal washer.

FAQ

Q: How high are the handles from the seat base?

A: The removable handles are 9.5" high from the toilet rim.

Q: Does this include a seat / lid?

A: No, but the riser is designed to fit under your existing toilet seat / lid.

Q: How do I clean the riser?

A: The riser doesn't need any special cleaners or techniques, and can be wiped down with a traditional disinfectant or soap.

CLEANING INSTRUCTIONS

1. Clean with warm water and soap.
2. Rinse and wipe dry with a dry cloth.

WARNING

- Always make sure the toilet seat is securely fastened and in the correct place before using.
- Do not use this toilet seat riser if it does not fit the style of toilet you own.
- Do not use the removable handles to support your entire body weight when transferring on or off the toilet. If the user is unsteady or can't stand on their own, please use assistance when using the raised toilet.
- Weight Capacity: 300 Pounds

GOT MORE QUESTIONS?

Check out our list of Frequently Asked Questions at vivehealth.link/fc108 for helpful answers.



And if that doesn't answer your question, our customer service team would love to help! Feel free to connect with them by phone, e-mail, or chat on our website.



service@vivehealth.com



1-800-487-3808



vivehealth.com