



Installation Guide

Required Tools

- Level
- Plastic Shims (for leveling if necessary)
- Drill
- Tapcon 3/16" x 2-3/4" Stainless Steel Screws
- 1/4" Stainless Steel Washers
- Tapcon 3/16" Drill Bit (pilot holes in concrete - typically is provided with screws)
- 3/16" Wood Drill Bit (pilot holes in cabinet backs or installation rails)
- 1/8" Wood Drill Bit (pilot holes in cabinets sides to join them together)
- Phillips Head Screwdriver
- Clamps (with rubber pads)
- Saw (circular or table) – to trim matching end panels and toe kick fillers
- Carpenter's Square
- Tape Measure
- Extension Cord
- Step Ladder (at least 6' if installing wall cabinets)

Before You Begin:

Check your new cabinetry against your design plan to ensure that you have all required cabinets, moldings, fillers, and accessories to complete the installation.

Safety First:

To avoid injury, explosion, or shock, make sure that all water supplies, gas supplies, and pertinent circuit breakers are shut off. Double check electrical using circuit tester to confirm power is off. If you are uncertain that utilities have been properly shut off, consult your utility company or service professional.

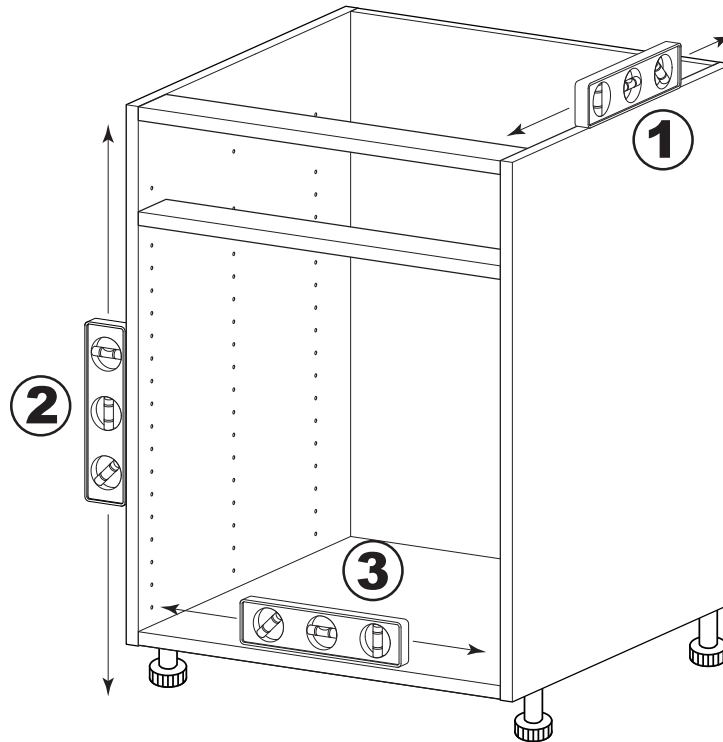
Caution:

It is essential that you use the recommended screws for your cabinetry installation. Under no circumstances, should you use nails or drywall screws as they do not have the strength or holding power to ensure that cabinets stay on the wall. Failure to use specified screws will render warranty null and void.

Installation detailed in this manual is for concrete block construction only. Attachment to any other wall types, will require locating the wood or steel studs behind the wall. Consult with your local home center, hardware store, or installation specialist for recommended fasteners.

Leveling the Cabinets

Leveling the cabinets is the most important part of installation, to ensure doors align properly and countertop sets evenly. They are to be level and square. Make sure your leveling legs are installed and adjusted. Review separate leveling leg instructions.



Be sure to level your cabinets in all three directions:

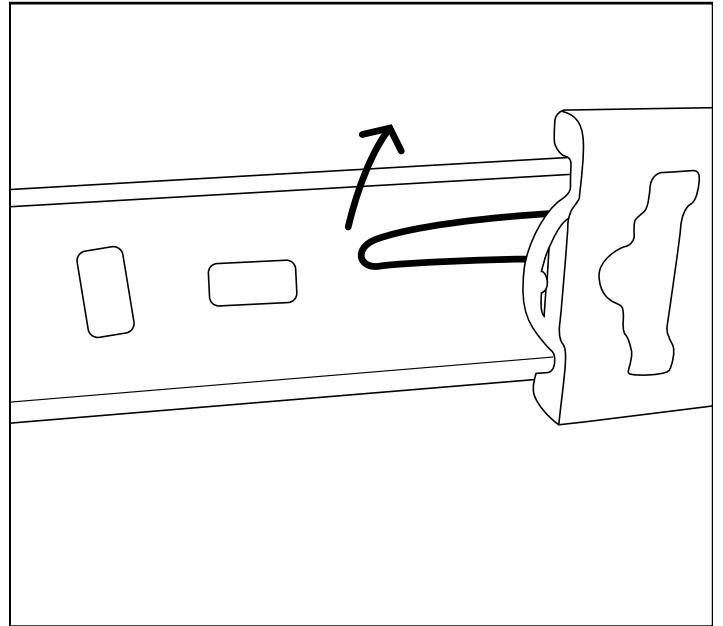
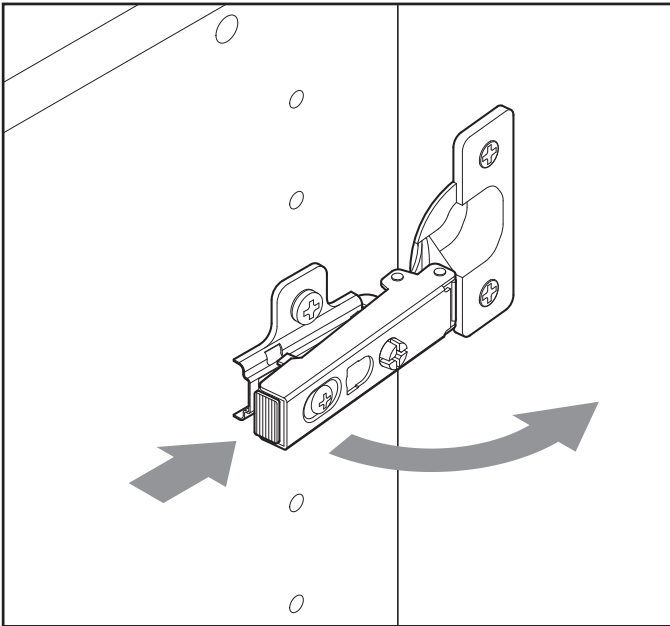
1. Front to Back
2. Vertically
3. Horizontally

Anchoring to Concrete Block Walls

Prior to installation you will find it easier to handle the cabinet with the doors and drawers removed.

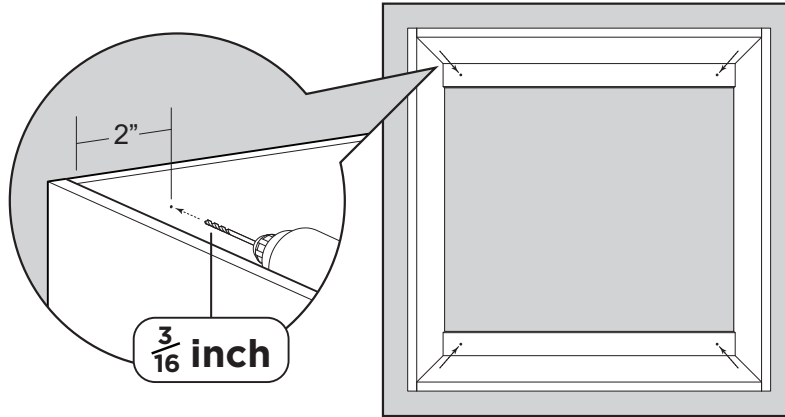
Hinges can be removed from the hinge plate by simply pressing in the release button on the end of the hinge, and pulling away from the cabinet. They are re-attached by hooking the hinge to the plate and snapping the pressure release into place.

Pull the drawer out until it stops. Each drawer runner has a small plastic release tab. One tab will point up and the other will point down. Holding the drawer box on each side, push the tabs in the opposite direction from which they're pointing and carefully pull the drawer box out. Carefully push the runners back into the cabinet.

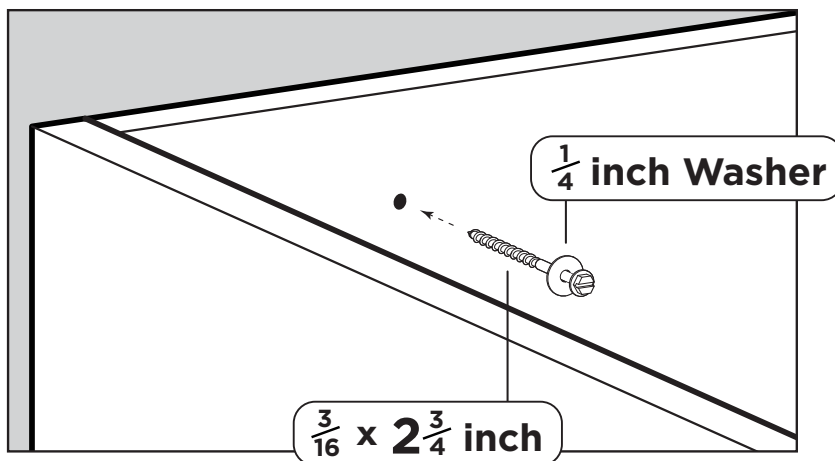


Anchoring to Concrete Block Walls

1. Each Wall Cabinet requires 4 wall anchors (2 top, 2 bottom)
2. Screws should be placed in each corner approximately 2" from the end panels.
3. Pre-drill the pilot holes before you place the cabinet against the wall, with a standard 3/16" drill bit.



4. Then put the cabinet in place. In each corner use the 3/16" Tapcon bit through the pilot holes to create starter holes into the concrete block, for the Tapcon anchors.
5. Remove the cabinet to complete drilling the pilot holes into the concrete block. When complete, place the cabinet against the wall.
6. Once you confirm the cabinet is level and square, use Tapcon® 410 Stainless Steel 3/16" x 2-3/4" fasteners, with a 1/4 stainless steel washer to secure the cabinet to the wall.

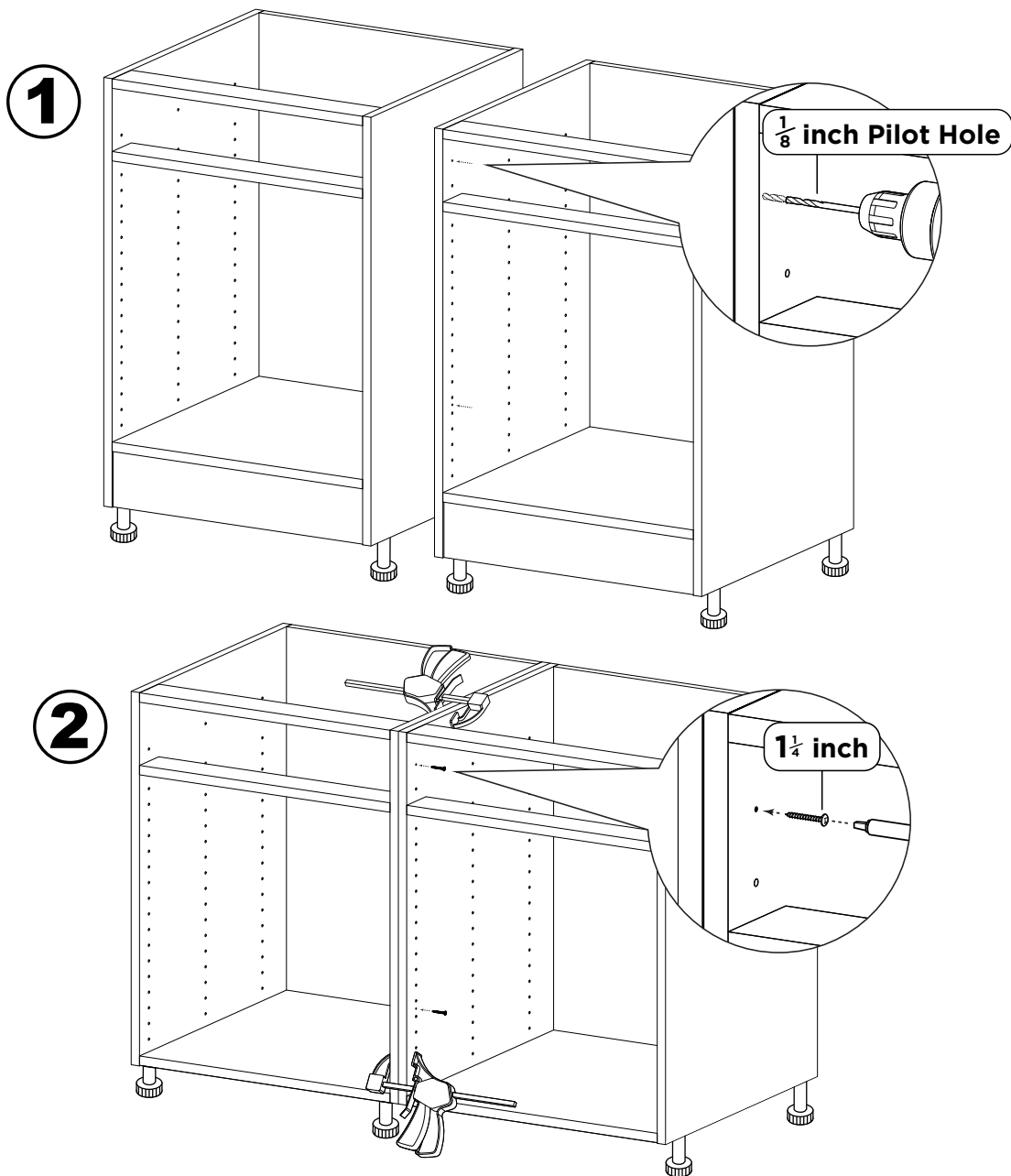


Fastening Cabinets Together

As you install your Base and Wall cabinets, you should fasten the cabinets together, along the front edge. This will help reduce gaps between cabinets and maintain alignment.

1. To secure cabinets together, a 1 ¼" stainless steel screw is used. (Model #WSSS1.25-Screw Kit) Pre-drill a 1/8" pilot hole in one end panel. Try to locate the joining screws where they will not be visible, above the drawer runner or behind the hinge plate.

2. Use clamps to hold cabinet panel in alignment. Insert the screw through the pilot hole into the second cabinet end panel – Be careful not to countersink the head.

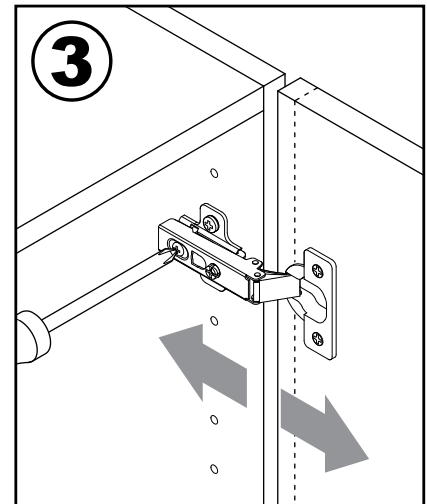
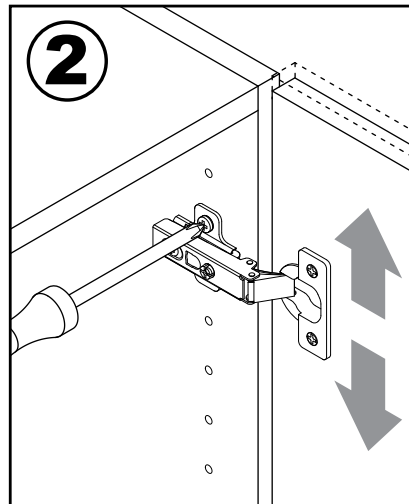
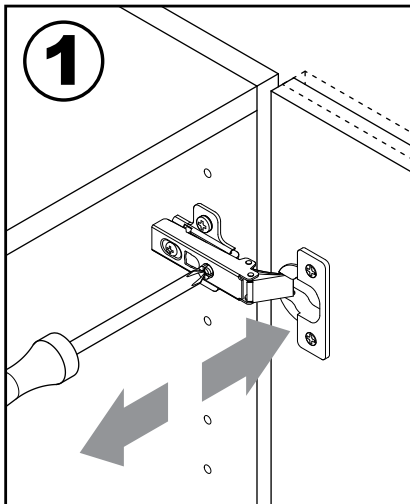


Door Alignment

WeatherStrong Cabinets feature a 6-way adjustable hinge that will allow you to adjust and align all the doors after installation

1. The center screw will adjust the door from side to side
2. The top and bottom screws in the hinge plate will allow adjustment up and down
3. The back screw will adjust the door in and out

Please Note: These are soft-close hinges and will close slower at first.



To Reinstall the Drawers

1. Extend both drawer runners all the way out of the cabinet box
2. Carefully reengage the metal drawer box profiles on both sides
3. Once both profiles are engaged about 1" carefully push the drawer all the way into the cabinet

Bar Riser Kit

If your design includes a Bar Riser Kit (BRK), the information below will help you to install it. We recommend installing the cabinet legs after you have attached the bar riser to the base cabinet.

1. Lay out the cabinets that make up your kitchen and locate where the bar riser kits are going to be placed.

Note: Some BRK's may overlap two cabinets, so follow your floor plan carefully.

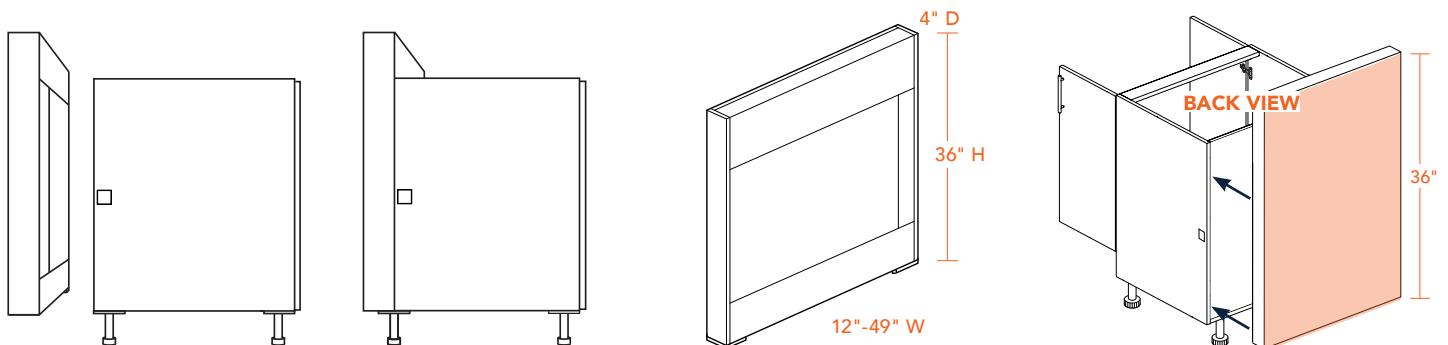
2. Attach the BRK to the base cabinet(s) by lining up the bottom of the bar riser with the bottom of the cabinet.

3. Attach the bar riser using 1-1/4" stainless steel screws (WSSS1.25-Screw Kit) by screwing from the inside of the cabinet through the rear hanging rails.

4. Once the BRK is attached, you can install the adjustable legs and level the cabinet/riser.

Bar Riser Kits

- 3/4" All-Weatherboard™ composite material cabinet construction
- 4" deep by 36" high
- Requires BTP for field installation to match the cabinet doors



Bar Risers are 4" deep by 36" high and are available in 3" width increments from 12" to 48". When securely attached to the back of a 34 1/2" high Island Back base cabinet, the top of the riser will be approximately 40 1/2" from the floor. These field installed kits feature a full-height 3/4" thick enclosed All-Weatherboard™ composite material back panel and can only be paired with the Island back base cabinets. These kits will turn almost any base cabinet into a two-level bar.

Please Note: Exposed cabinet sides and backs **MUST** be covered by a matching end/island panel



Grill Bases and Side Burner Cabinets

Grill Bases and Side Burner Cabinets have a few extra steps that make up the proper installation. First and foremost, if you are installing a drop-in grill or side burner in your cabinets, you **MUST** first install an insulated jacket before inserting the heat admitting appliance. This protects your cabinets from the extreme heat and protects your limited warranty.

Please Note: You must purchase the insulated jacket from the manufacture of the gas/heat appliance. Please follow the manufacturer's instructions on how to properly support your appliance and insulated jacket inside the cabinet.

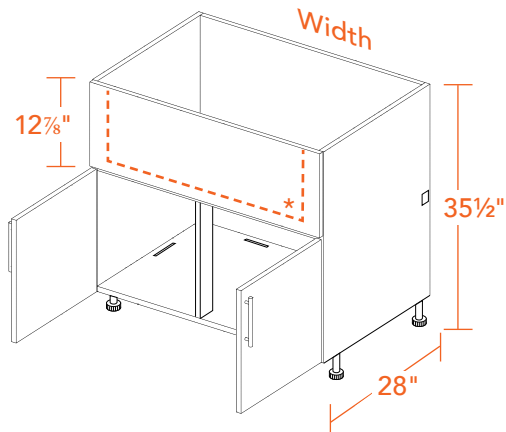
Cabinet Modification:

1. Your grill base or side burner cabinet comes with two panels in the upper, apron part of the cabinet.
2. Mark the required cut-out necessary to install the insulated jacket and the gas appliance. Refer to the specification and installation guides supplied by the appliance manufacturer, or use a template if provided. Remember to account for the countertop thickness.
3. Carefully cut out the required space on the cabinet apron and decorative overlay panel.
4. Place the insulated jacket into the cutout to ensure a proper fit.
5. Fabricate a support brace, inside the cabinet, based on the appliance manufacturer's recommendation.
6. We recommend hiring a licensed professional to install the gas appliances and the insulated jacket

Grill Double Door Base

- The face plate is modified in field to accept the respective insulated jacket used with the gas grill
- 3/4" All-Weatherboard™ composite material cabinet construction
- Fully integrated back panel
- Includes 4 'Sure Level' polymer legs, shipped loose for field installation and leveling
- Available in all door styles and finishes
- Separate toe kick with vent included
- Stainless steel handles sold separately

Please Note: All built in grill heads require an insulated jacket. Please consult your grill manufacturer for the appropriate model.



6 ventilation outlets included to allow the release of possible heat or gas build-up.

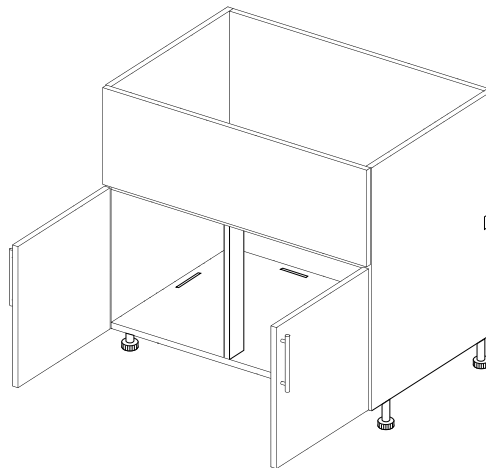
- 1 in the toe kick panel
- 3 in the base shelf
- 2 in the side of the cabinet

Please Note: Venting will still need to be cut on the job site at the end of a cabinet run containing a heat component. This will need to be cut into the decorative end panel.

Proper Venting:

Proper venting of Grill Bases or Side Burner cabinets is essential.

- Each Side Burner and Grill Base cabinet are already equipped with precut slots in the floor and holes in the sidewalls of the cabinet to vent.
- Vent slots have also been precut in a piece of toe kick to further help with the proper ventilation needed.

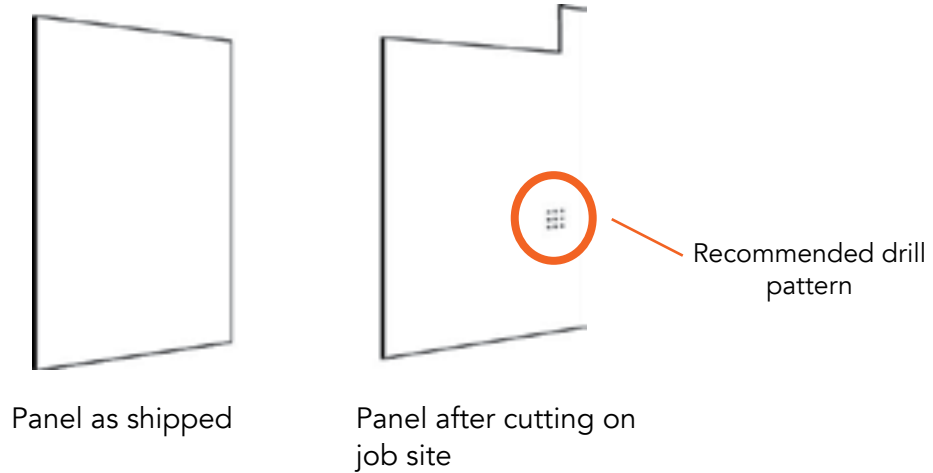


Grill Base and Side Burner cabinets will come with precut vent holes in the sidewalls and precut slots in the cabinet. There will also be precut slots in the toe kick material. This will enable any excess gas to vent from inside the cabinets. If using toe kick with your cabinets to cover the leveling legs, a piece of toe kick with vent slots has been included with your Grill Base or Side Burner cabinet.

Important Information:

Side Panel Venting

Venting will still need to be cut at the job site on the end of a cabinet run if that run contains a heat component in that section. This will need to be cut/drilled into the decorative end panel. We have provided a recommended drill options below.



Side Burner base cabinets with a width of 15" to 24" include 6 ventilation outlets to allow the release of possible heat or gas buildup.

- 1 in the toe kick panel
- 3 in the base shelf
- 2 in the side of the cabinet

Side Burner base cabinets with a width of 30" include 6 ventilation outlets to allow the release of possible heat or gas buildup.

- 1 in the toe kick panel
- 3 in the base shelf
- 2 in the side of the cabinet

Please Note: Insulated jacket must be used with all Side Burner and Grill Cabinets



Please Note: These are the slots that will be precut into the toe kick material

Matching Ends and Island Back Panels

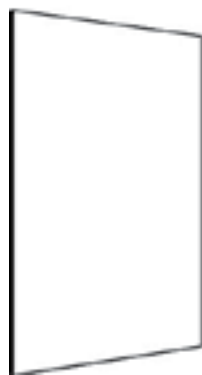
Matching End Panels and Island Back Panels are used to cover any exposed cabinet sides or backs. These panels are manufactured from the same material as the cabinet doors and drawer fronts.

Matching End Panels are oversized and will not match the exact measurements of your cabinets. This allows them to be trimmed to follow the pitch of the floor of your outdoor space, which is often sloped. Matching Panels should be trimmed to fit after the cabinets are permanently set and leveled.

Panel Installation:

1. Refer to your floor plan or cabinet layout to determine which panels go in which location.
2. Measure each panel location from front to back and top to bottom. Use these measurements to mark your panel.
3. Once the panel is marked, use a table saw or circular saw to trim the panel to size.
4. Use C-clamps or Quick-Grips to hold the panel in place during installation.
 - a. Screws (WSSS1.25-Screw Kit) or Contractor adhesive can be used to secure the panels to the cabinets.
 - b. If using Screws make sure to drill pilot holes into the cabinet before placing the permanent screw.

Please Note: Panels that will cover the side of a cabinet with a Bar Riser Kit attached will need to have the profile of the side of the cabinet combination cut out.



Panel as shipped



Panel after cutting on job site without heat component



Panel after cutting on job site with heat component

Installing Hardware:

Hardware is the final step of your cabinet installation. This is done after the drawers are back in place and the doors have been replaced and adjusted to be square.

Placement of your hardware is per your choice and a template can be purchased from your local hardware store.

Install:

1: Mark your doors/drawer fronts with a pencil or small marker where the screw holes will go.

Make sure to carefully measure where these holes will be drilled to ensure proper placement.

2: Drill the screw holes using the 3/16 drill bit

3: Attach the hardware using the screws provided in the hardware bag, from the inside of the door/drawer out into the piece of hardware.

