

- All-Weatherboard
- Ships in 7-10 Days
- Factory Built to Order



ONLINE PERSONAL DESIGNER

Home Depot Designer
designservices@weatherstrong.com
Phone (888) 745-0004 xxxx

PREPARED FOR

John Smith
Grill Area
3/2020



SANIBEL PITCH BLACK

weatherstrong.com



Purchaser/Homeowner must Verify prior to purchase:

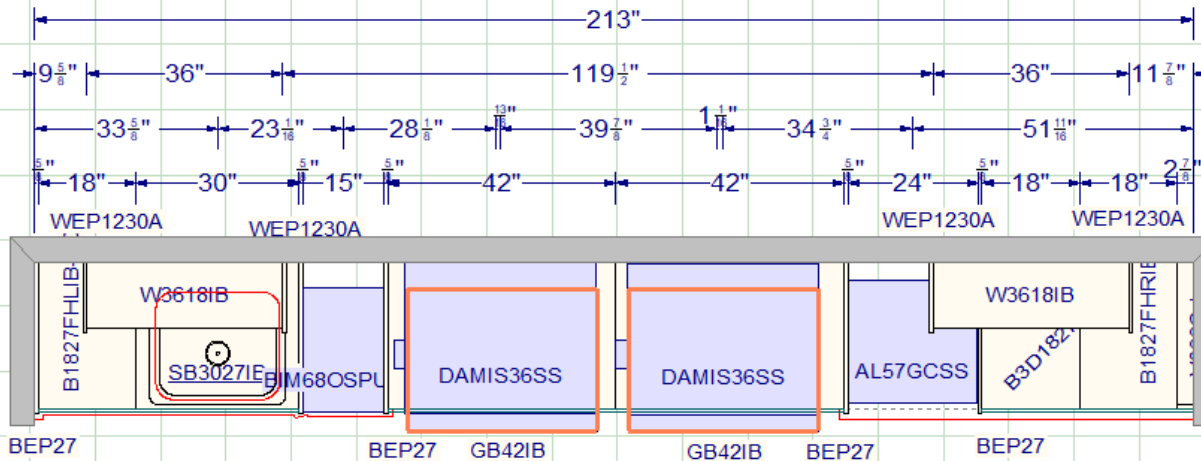
All wall lengths, ceiling and wall heights (including soffits or bulkheads)

All window and door sizes and exact locations

Any floor or ceiling obstacles that interfere with the design

Appliance, sink sizes and flooring footprint locations if applicable

All plumbing, electrical and/or gas are in the correct location on this design OR that they can be relocated.

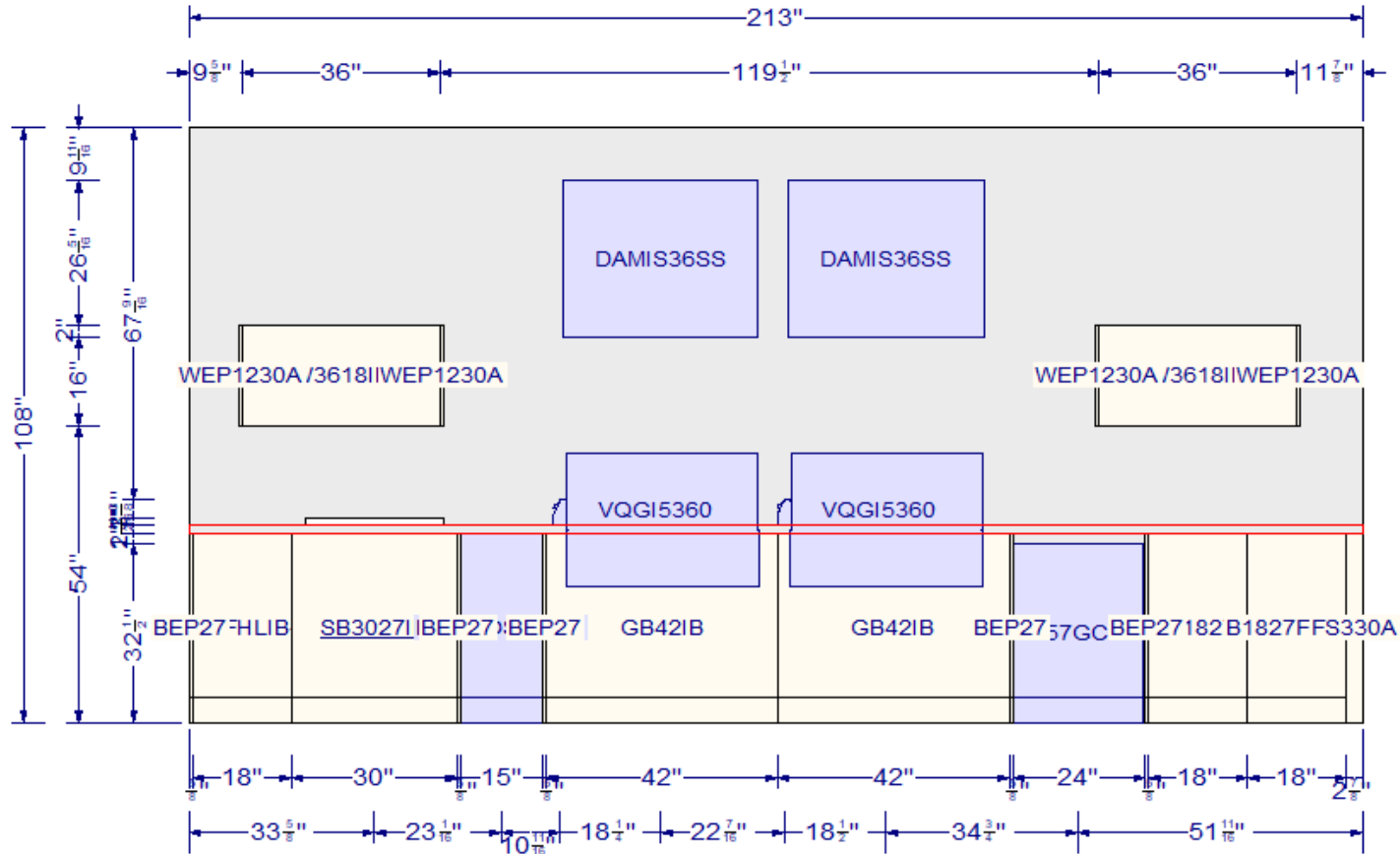


NOTE TO CUSTOMER: Please verify all dimensions for accuracy. Contact your personal designer with any changes to your layout at designservices@weatherstrong.com.



NOTE TO CUSTOMER: Please verify all dimensions for accuracy. Contact your personal designer with any changes to your layout at designservices@weatherstrong.com.

Drawings & Perspectives



NOTE TO CUSTOMER: Please verify all dimensions for accuracy. Contact your personal designer with any changes to your layout at designservices@weatherstrong.com.



SANIBEL PITCH BLACK (SPB)

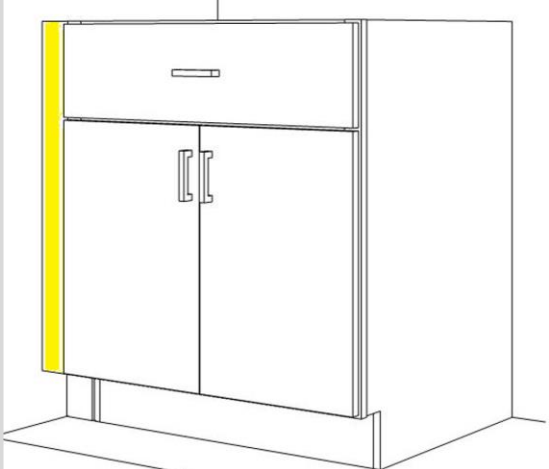


- Flat panel door with extended stiles and a routed shaker center panel design.
- Stiles routed into deco drawer fronts
- Features a textured wood grain exterior finish
- Cabinets constructed of a solid $\frac{3}{4}$ " All-Weather Board
- Fully Concealed stainless-steel hinges



***DECORATIVE HARDWARE** included. Make sure to ask your designer for details and options

NOTE TO CUSTOMER: Please verify all dimensions for accuracy. Contact your personal designer with any changes to your layout at designservices@weatherstrong.com.



Filler Options

30" Tall FS330A	30" Tall FS630A
36" Tall FS336A	36" Tall FS636A
42" Tall FS342A	42" Tall FS642A
84" Tall FS384A	96" Tall FS696A
90" Tall FS390A	
96" Tall FS396A	

FS696A can be used as matching toe kick

9" Ventilation Grill

WS-VENT

- Fits 8 5/8" x 2 3/8" ventilation hole
- Secure with suitable construction adhesive
- Supplied in White, Gray or Almond



1.25" Stainless Steel Screw

30 Pack
WSSS1.25-SCREW KIT



Square Head Drill Bit included.

Used to attach cabinets together and install Corbels.

CABINET TYPE	QTY.	LOCATION
Bases	2	Front Edge
Island Base	4	Front & Back Edges
Bar Base	4	Front & Back Edges
Walls up to 30" H	2	Front Edge
Walls 36 & 42" H	3	Front Edge

NOTE TO CUSTOMER: Please verify all dimensions for accuracy. Contact your personal designer with any changes to your layout at designservices@weatherstrong.com.

PLEASE VERIFY ALL ITEMS BELOW:

All wall lengths, ceiling and wall heights (including soffits or bulkheads)

All window and door sizes and exact location

Any floor or ceiling obstacles that interfere with the design

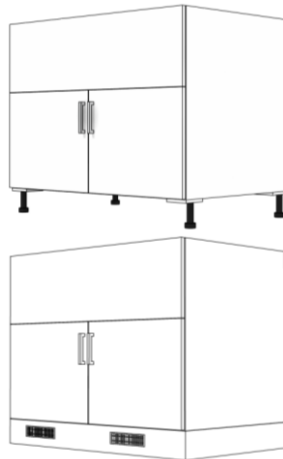
Appliance, sink sizes and flooring footprint locations if applicable

All plumbing, electrical and/or gas are in the correct location on this design OR that they can be relocated.

GRILL CABINETS: Grill cabinets are manufactured with a full upper face plate that will need to be modified in field to accept the respective heat liner used with the gas grill.

Under no circumstance should a grill be installed without the appropriate heat liner specified by the grill manufacturer.

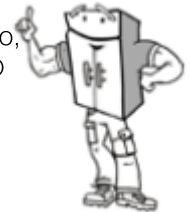
Grill cabinets feature two ventilation outlets in the toe kick and base shelf allowing the release of possible heat build up.



ASSEMBLY: WeatherStrong cabinets are built with precision dowel alignment and a fast cure solvent-free structural marine adhesive system that provides excellent flexibility, toughness and bond strength.



INSTALLATION TO EXTERIOR WALLS: WeatherStrong can be installed indoors or out. To fasten cabinets to stucco, brick, or concrete block walls, stainless steel Tapcon® fasteners are recommended (3/16" x 23 1/4"), sold separately. For base cabinets two fasteners are recommended, and four are recommended for wall cabinet installations.

**CABINERY FINISHES:**

Doors features consistent color all the way through. Any unfortunate scratches or nicks will be less visible.

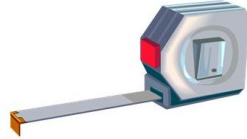
Cabinet Boxes are durable outdoor weatherboard. 3/4" thickness



NOTE TO CUSTOMER: Please verify all dimensions for accuracy. Contact your personal designer with any changes to your layout at designservices@weatherstrong.com.

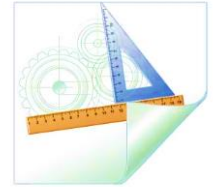
DOUBLE-CHECKING MEASUREMENTS

Only you can provide us with accurate measurements, so it is best to measure twice and order once!



INSTALLATION PLANNING

Do not remove your existing cabinetry until all new cabinetry has arrived complete and has been inspected for shipping damage. (Please review the notes on [Receiving Your Order](#))



For your convenience, here is a link to our [Installation Guide](#).

This will help to identify the tools needed for your install, so your project can be completed in a safe, secure and timely manner.

CARE AND MAINTENANCE

To help keep your cabinets as beautiful as the day you received them, and functioning as well as the day they were built, they will require some minimal care.



We can provide a [Care and Maintenance Guide](#) to help you enjoy your investment for a lifetime; just ask your designer.

NOTE TO CUSTOMER: Please review all design notes. Contact your personal designer with any changes to your layout at designservices@weatherstrong.com.

DELIVERY INFORMATION

WeatherStrong Cabinetry orders are shipped prepaid to your location with an opportunity for **in-home delivery service**.



Deliveries are made only to the address specified on your order. **Orders are delivered to the first available secure dry area of your home; drivers are not responsible for moving the cabinetry to their final location, or disposal of packaging materials.**

All shipments are valid for one customer, to one location in the continental United States and cannot be separated into multiple deliveries to multiple locations. Deliveries are made only to a home or job site.

All shipments are palletized and shrink-wrapped.

A delivery agent will call to make a delivery appointment (Monday-Friday 8:00 AM EST-5:00 PM EST) within a four-hour window you specify.

Shipping and handling charges cover one delivery attempt to you. In the event that, due to your availability or circumstances, an order is not deliverable you will be responsible for any additional shipping and handling charges.

If you have additional shipping requirements, please call our customer service specialists at 888-745-0004, or email us at customerservice@weatherstrong.com.

RECEIVING YOUR ORDER

Deliveries are made only to the address specified on your order. This is an opportunity for you to check your delivery against the Bill Of Lading, and inspect the packages for any visible shipping damage.



Please remember to receive, inspect, and sign for all deliveries.

If the item(s) that you purchased have become damaged during shipping, **please document the damages with the freight company upon delivery**. Notify us immediately by calling 888-745-0004 or emailing us at customerservice@weatherstrong.com. **All freight damage must be reported within 14 days.**

All items should be checked against the Bill Of Lading and packing slip supplied by the driver for each delivery.

The Bill Of Lading indicates the number of cartons in the delivery but does not represent the number of pieces. Some items may be boxed together such as molding, hardware, etc.

Cartons containing multiple items will have separate labels on the carton for each item included and will correspond to the packing slip.

If you have additional questions on receiving your order, please call our customer service specialists at 888-745-0004, or email us at customerservice@weatherstrong.com.

NOTE TO CUSTOMER: Please review all design notes. Contact your personal designer with any changes to your layout at designservices@weatherstrong.com.