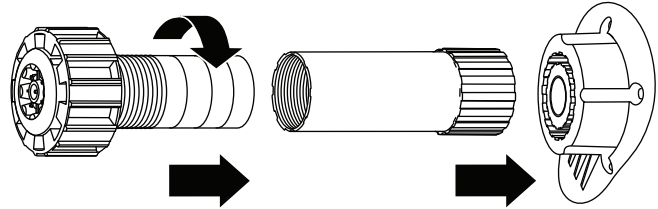


Leveling Leg Installation

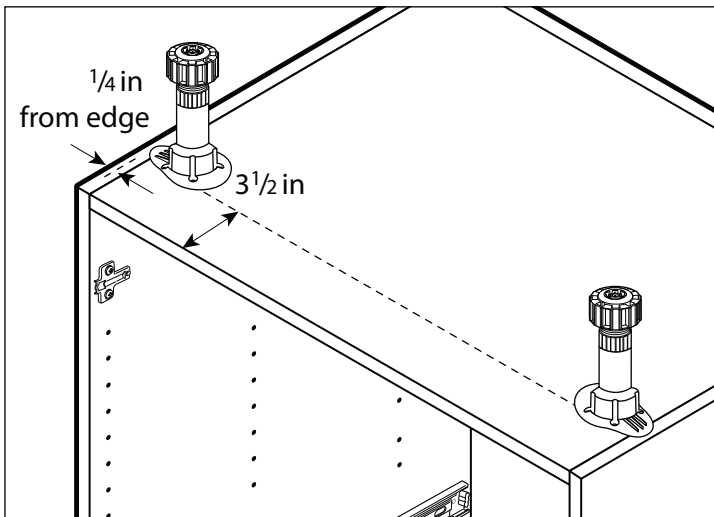
Leveling Leg Assembly

Simple assembly is required for each leveling leg.

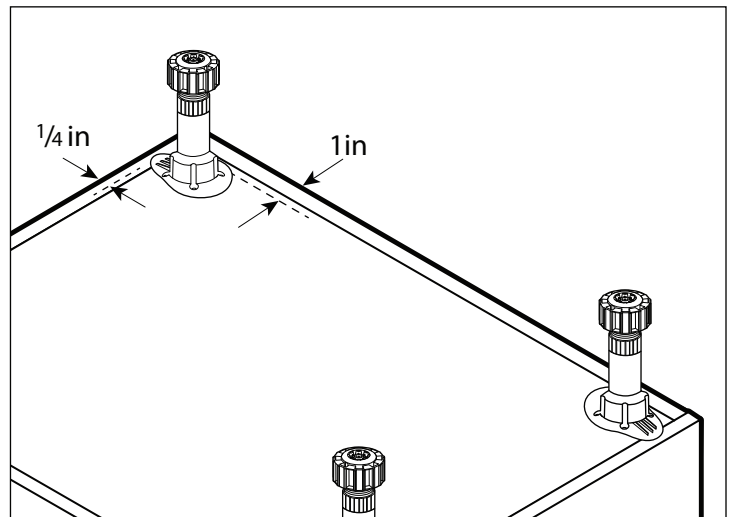


For easier handling and to avoid damage remove doors and drawers from the cabinet. Then, using two or more people, place the cabinet upside down on a protected surface.

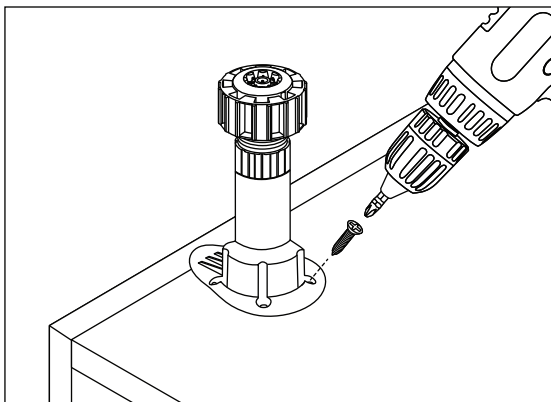
- 1** Place the 2 front leg brackets 3-1/2" from the front edge with the support plate overlapping the end panel – 1/4" from the outer edge.



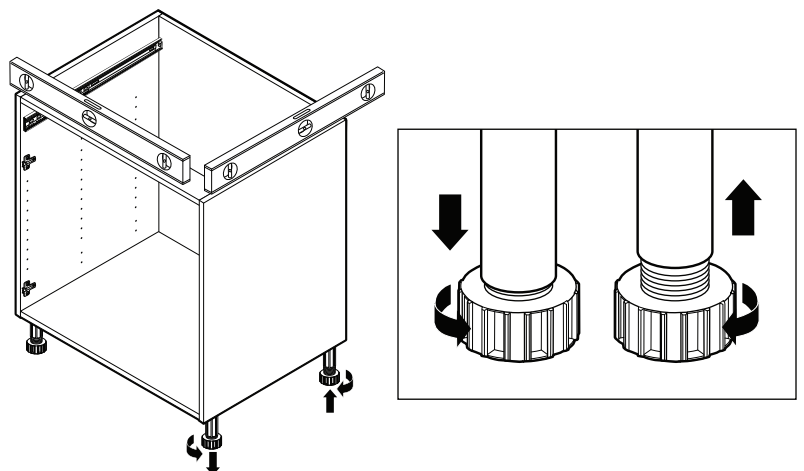
- 2** Place the 2 back leg brackets 1" from the back edge with the support plate overlapping the end panel – 1/4" from the outer edge.



- 3** Use a phillips bit to attach the legs with the stainless steel screws supplied. **DO NOT OVERTIGHTEN!**

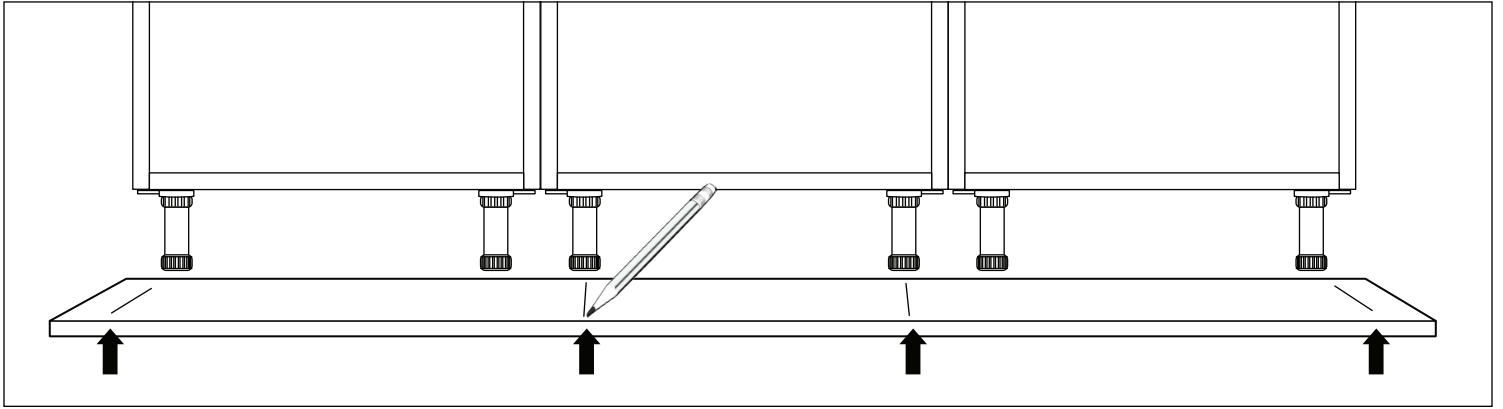


- 4** Adjust the leveling legs up or down to bring the cabinet to a level plumb position.

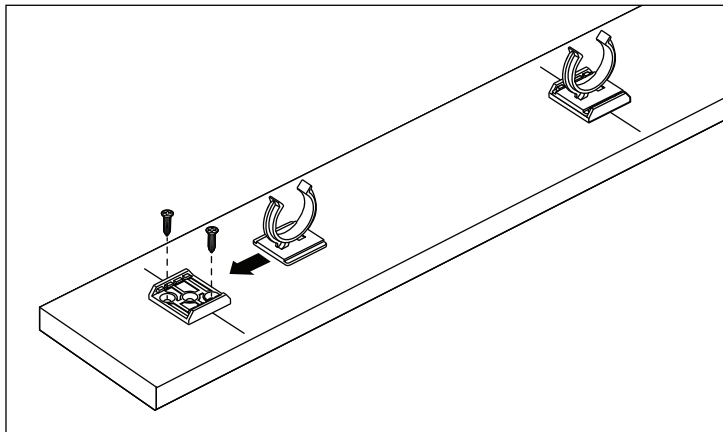


Toe Kick Application

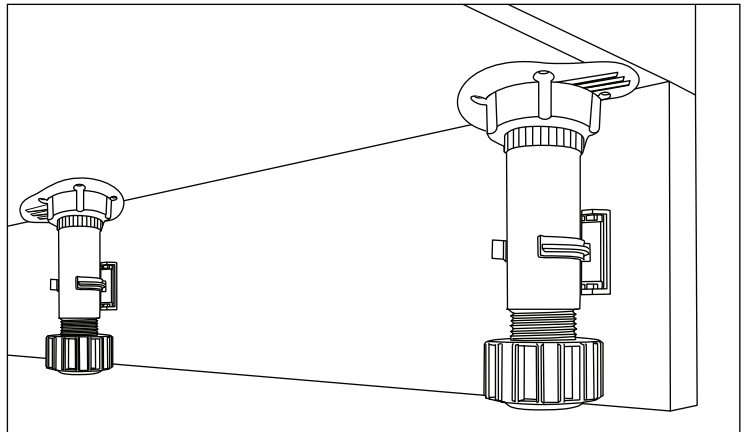
- 1** Lay the trimmed toe kick panel in front of the cabinet against the leveling legs. Mark the location of each leg on the back of the panel. Clips are not needed on all leg locations, but enough for a secure hold.



- 2** Center the clip plates half way up the height of the panel, screw into place. Then slide a clip into each plate.



- 3** Align the panel and push the clips onto the legs.



If applying toe kick around corners, adjacent panels will clip to the same corner leg. Be sure to stagger the clip plate heights so they overlay properly.

