

# **BOSS TOOLS**

## **DWA SERIES C**

Extended Neck Mini Angle Grinder

### **MODEL #1DC**

## **SAFETY INSTRUCTIONS**



**WARNING: Read all safety warnings and all instructions.**

Failure to follow the warnings and instructions may result in electric shock, fire, and/or serious injury.

**Save all warnings and instructions for future reference**



**To reduce the risk of injury, user must read instruction manual**



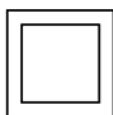
**Always Wear Eye Protection**



**Always Wear Gloves**



**Always Wear Hearing Protection**



**Class II Tool—Double Insulated**

### **About The Symbols**

Various symbols are used in this manual and on the product itself to ensure correct usage, to prevent danger to the user and others, and to prevent property damage. The meanings of these symbols are described above. It is important that you read these descriptions thoroughly and fully understand the contents.

# Table of Contents

Cover Page	1
Table of Contents	2
Work Area Safety	3
Electric Safety	3
Personal Safety	3
Maintenance & Service	4
Tool Use & Care	4
Tool Specification	6
Battery Type	6
Putting Tool in Use	7
Install/Remove the Battery	7
Adjusting Safety Guard	8
Holding the Tool	8
General Safety Instructions	9
Grinding / Cutting– Off	10
Important Safety Reminders For Battery Cartridge	11

# General Power Tool Safety Warnings

## WORK AREA SAFETY

**Keep your work area clean and well lit.**

*Cluttered or dark areas invite accidents.*

**Do not operate power tools in explosive atmospheres, such as in the presence of flammable liquids, gases or dust.** *Power tools create sparks which may ignite the dust or fumes.*

**Keep children and bystanders away while operating a power tool.** *Distractions can cause you to lose control.*

**Use clamps to support work piece whenever practical. Never hold a small work piece in one hand and the tool in the other hand while in use.** *Clamping a small work piece allows you to use your hand(s) to control the tool. Round material such as dowel rods, pipes or tubing have a tendency to roll while being cut, and may cause the disc to bind or jump toward you.*

## ELECTRICAL SAFETY

**If replacement of the power supply cord is necessary this has to be done by the manufacturer in order to avoid a safety hazard.**

**Avoid accidental starting. Be sure the paddle switch is in the off position before plugging the battery into the battery holster.** *Plugging in a tool that has the power switched on is dangerous. Do not carry the tool with your hand on the paddle switch.*

**Avoid body contact with earthed or grounded surfaces, such as pipes, fences, etc.** *There is an increased risk of electric shock if your body is earthed or grounded.*

**Do not expose power tools to rain or wet conditions.** *Water entering a power tool will increase the risk of electric shock.*

**Do not abuse the cord. Never use the cord for carrying, pulling or detaching the battery cartridge. Keep cord away from heat, oil, sharp edges or moving parts.** *Damaged or entangled cords increase the risk of electric shock.*

## PERSONAL SAFETY

**Stay alert, watch what you're doing, and use common sense when operating a power tool. Do not use a power tool while you are tired or under the influence of drugs, alcohol, or medication.** *A moment of inattention while operating the tool may result in serious personal injury.*

**Do not reach in the area of the rotating wheel.** *The proximity of the rotating wheel to your hand may not always be obvious. Do not touch the disc or attempt to remove any material from the disc while it is still spinning.*

**Use personal protective equipment.** *Always wear eye protection. Protective equipment such as dust mask, non-skid safety shoes, hardhat, or hearing protection used for appropriate conditions will reduce personal injuries.*

**Prevent unintentional starting.** *When using the Hoof Boss Mobile, ensure the paddle switch is in the off-position before connecting to the battery, picking up or carrying the tool. Carrying power tools with your finger on the switch or energizing power tools that have the switch on invites accidents.*

**Remove any adjusting key or wrench before turning the power tool on.** *A wrench or a key left attached to a rotating part of the power tool may result in personal injury.*

**Do not overreach.** *Keep proper footing and balance at all times. This enables better control of the power tool in unexpected situations.*

**Dress properly. Do not wear loose clothing or jewelry. Keep your hair, clothing and gloves away from moving parts.** *Loose clothes, jewelry or long hair can be caught in moving parts.*



**Remove the battery from the battery holster before performing any maintenance or service**

## **MAINTENANCE AND SERVICE**

**Have your power tool serviced by a qualified repair-person using only identical replacement parts.** *This will ensure that the safety of the power tool is maintained.*

**Regularly clean the power tools air vents/ventilation slots.** *The motor's fan will draw the material dust inside the housing and excessive accumulation of powdered metal may cause electrical hazards.*

**Regularly clean the power tools air vents using compressed air.** *Ensure all ventilation slots are free from obstruction for optimal air flow and motor cooling. Excessive accumulation of foreign particles inside the motor housing can cause overheating and /or electrical failures.*

**The exterior of the tool may be cleaned with a damp cloth and mild detergent.**

## **POWER TOOL USE AND CARE**

**Do not force the power tool. Use the correct power tool for your application.** *The correct power tool will do the job better and safer at the rate for which it was designed.*

**Do not use the power tool if the paddle switch does not turn it on and off.** *Any power tool that cannot be controlled with the switch is dangerous and must be repaired.*

**Remove the battery from the battery holster before making any adjustments, changing accessories, or storing power tools.** *Such preventive safety measures reduce the risk of starting the power tool accidentally.*

**Store idle power tools out of the reach of children and do not allow persons unfamiliar with the power tool or these instructions to operate the power tool.** *Power tools are dangerous in the hands of untrained users.*

**Maintain power tools. Check for misalignment or binding of moving parts, breakage of parts and any other condition that may affect the power tool's operation. If damaged, have the power tool repaired before use.** *Many accidents are caused by poorly maintained power tools.*

**Keep cutting tools sharp and clean.** *Properly maintained cutting tools with sharp cutting edges are less likely to bind and are easier to control.*

**Use the power tool & accessories in accordance with these instructions, taking into account the working conditions and the work to be performed.** *Use of the power tool for operations different from those intended could result in a hazardous situation.*

**Do not operate the power tool near flammable materials.** *Sparks could ignite these materials.*

**Maintain a firm grip of the power tool and position your body and arm to allow you to resist kickback forces.** *The operator can control kickback forces, if proper precautions are taken.*

**Use special care when working corners, sharp edges etc. Avoid bouncing and snagging the accessory.** *Corners, sharp edges or bouncing have a tendency to snag the rotating accessory and cause loss of control or kickback.*

**Do not attach a toothed saw blade.** *Such blades create frequent kickback and loss of control.*

**When using rotary files, cut-off wheels, high-speed cutters or tungsten carbide cutters, always have the work securely clamped.** *These wheels will grab if they become slightly canted in the groove, and can kickback. When cut-off wheels grab, the wheel itself usually breaks. When a rotary file, high-speed cutter or tungsten carbide cutter grabs, it may jump from the groove and you could lose control of the tool.*

**Always hold the tool firmly in your hand(s) during the start-up.** *The reaction torque of the motor, as it accelerates to full speed, can cause the tool to twist.*

**Position the cord clear of the spinning accessory.** *If you lose control, the cord may be cut or snagged and your hand or arm may be pulled into the spinning accessory.*

**Never lay the power tool down until the accessory has come to a complete stop.** *The spinning accessory may grab the surface and pull the power tool out of your control.*

**Do not run the power tool while carrying it at your side.** *Accidental contact with the spinning accessory could snag your clothing, pulling the accessory into your body.*

## **DWA Series C** **Model 1DC**

### **Extended Neck Mini Angle Grinder**

**Fixed Speed: 20 Volt**

#### **Motor:**

~6V-24V

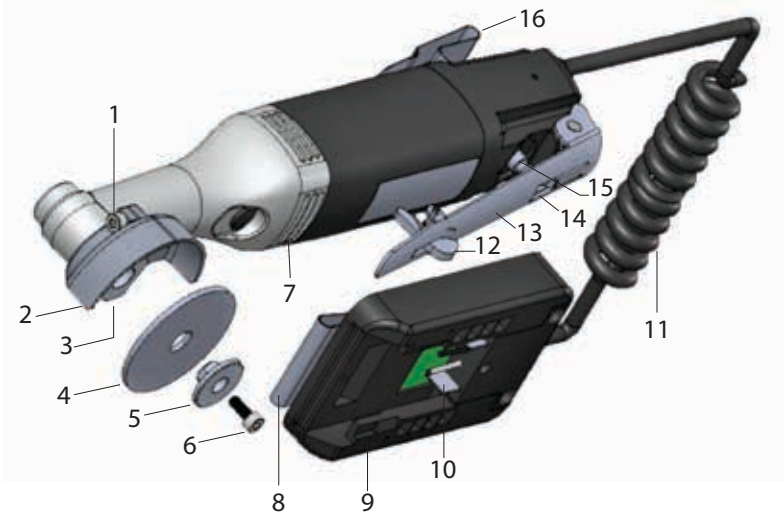
#### **Unit:**

RPM: 15,000 rpm

Disc diameter: 2"/50mm

Length: 11.5 inches/292mm

Weight: 1.3 lb. (550 grams)



- |                       |                          |
|-----------------------|--------------------------|
| 1. Safety Guard Screw | 9. Holster               |
| 2. Safety Guard       | 10. Connection Terminals |
| 3. Flange             | 11. Center Coiled Cord   |
| 4. Accessory          | 12. Safety Tab           |
| 5. Attachment Washer  | 13. Paddle Lever         |
| 6. Center Screw       | 14. Switch Activator     |
| 7. Air Vents          | 15. Push Button Switch   |
| 8. Holster Belt Clip  | 16. Tool Belt Clip       |

## **BATTERY TYPE**

Type: Lithium-Ion

Voltage: 20V

Capacity: Any size/ capacity battery can be used.

Manufacturer: The Hoof Boss Mobile holster accepts either a Dewalt® brand 20V rechargeable Lithium-Ion battery or a compatible Dewalt® style 20V Lithium-Ion rechargeable replacement battery available from various manufacturers.

DCB200, DCB201, DCB203, DCB204, DCB205, DCB206

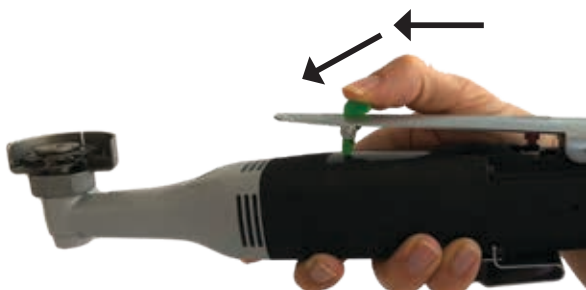
***Disclaimer:*** Dewalt® is a registered trademark of The Black & Decker Corporation. DeWolf & Associates, LLC is not associated with, affiliated with, sponsored by or endorsed by The Black & Decker Corporation.

# OPERATING INSTRUCTIONS

## Putting the Power Tool into Use

Avoid accidentally starting the power tool. Be sure the paddle lever safety tab is in the off or upright position before plugging the battery into the battery holster.

Push the GREEN Safety Tab forward as you simultaneously push the Paddle Lever down. You must disengage the safety tab first.



## Installing and removing the battery cartridge

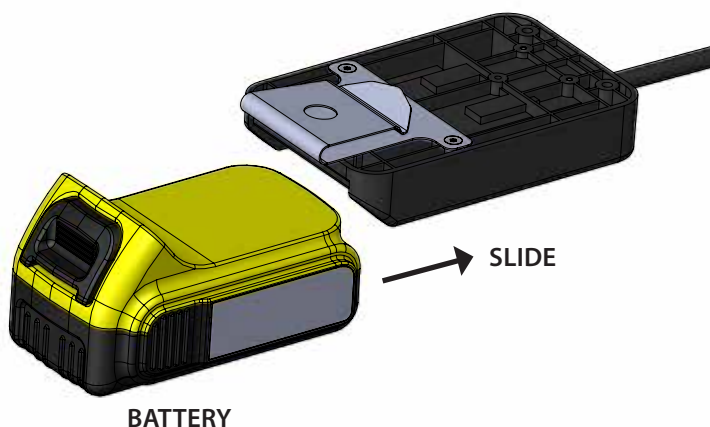
To install the battery cartridge to the holster, align the battery cartridge with the rails inside of the holster and slide it into the holster until the battery cartridge is firmly seated in the holster. Insure the battery cartridge does not disengage.



To remove the battery cartridge from the holster, press the release button and firmly pull the battery cartridge out of the holster.

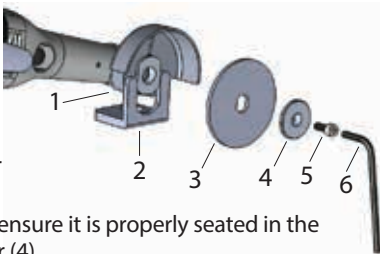


HOLSTER



## CHANGING THE ACCESSORIES

1. Secure the flange (1) using the flange holder (2).
2. Turn the center screw (4) using the hex key (6)
3. Undo the center screw (5) then remove the attachment washer (4) and the accessory (3).
4. Fit the new accessory (3) and ensure it is properly seated in the attachment washer's shoulder (4).
5. While holding the flange (1) with the flange holder (2) secure the center screw (5), but do not over-tighten it.
6. After changing the accessory (3) or making any adjustments, make sure the attachment washer (4) is secure. Loose pieces can shift, causing loss of control and loose rotating parts could be violently thrown. **REMOVE THE HEX KEY.**

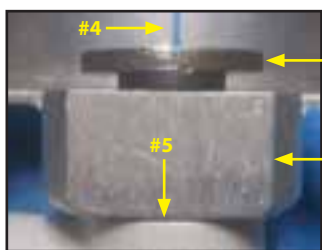
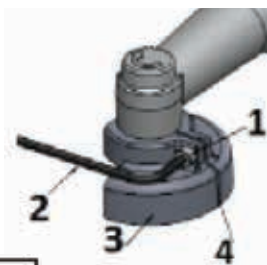


## Adjusting The Safety Guard



**Remove the battery from the battery holster before adjusting the safety guard.**

1. Release the set screw (#1) using the hex key (#2).
2. Turn the safety guard (#3) to the desired position, making sure it will protect your fingers during operation.
3. Retighten the set screw (#1) and check that the safety guard (#3) is properly and securely seated on the tool.



The Fitting Piece (#6) **SHOULD BE ABOVE**

The Safety Guard (#3)

**CORRECT**

4. The **Slit / Opening** (#4) in the safety guard (#3) **DOES NOT** have to be completely closed or the two sides pulled together for the guard to be tight and secure. **Tighten enough to keep the Safety Guard (#3) from moving.**
5. **Check safety guard before each use. There should never be any space between the safety guard and the lip of the tool.** During normal operation, the safety guard can slip up toward the top after use so it is important to check before each and every use that it is positioned correctly.

## Holding the Tool

Do not hold the tool or the holster by the cord.  
Avoid blocking the air vents



**AVOID OVERHEATING—Do not overwork the power tool.**

*This power tool is intended to be used for short intervals with a short rest period between uses. Length of duration the tool can be used is conditioned on the type of material, material density and the end-users aggressiveness. If you sense the power tools beginning to overheat, switch the power tool off and allow the power tool to cool. Overheating can lead to motor failure.*



## **GENERAL SAFETY INSTRUCTIONS**

**This power tool is intended to function as a grinder, sander, carving or cut-off tool. Read all safety warnings, instructions, illustrations and specifications provided with this power tool.** *Failure to follow all instructions listed below may result in electric shock, fire and/or serious injury.*

**Operations such as wire brushing and polishing are not recommended to be performed with this power tool.** *Operations for which the power tool was not designed may create a hazard and cause personal injury.*

**Do not use accessories which are not specifically designed and recommended by the tool manufacturer.** *Just because the accessory can be attached to your power tool, it does not assure safe operation.*

**The rated speed of the grinding accessories must be at least equal to the maximum speed marked on the power tool.** *Grinding accessories running faster than their rated speed can break and fly apart.*

**Do not use accessories that require liquid coolants.** *Using water or other liquid coolants may result in electrocution or shock.*

**Do not use a damaged accessory. Before each use inspect the accessory such as abrasive wheels for chips and cracks, sanding discs for cracks, tear or excess wear. If power tool or accessory is dropped, inspect for damage or install an undamaged accessory. After inspecting and installing an accessory, position yourself and bystanders away from the plane of the rotating accessory and run the power tool at maximum no-load speed for one minute.** *Damaged accessories will normally break apart during this test time.*

**Wear personal protective equipment. Depending on application, use face shield, safety goggles or safety glasses, hearing protectors and gloves . As appropriate, wear dust mask and workshop apron capable of stopping small abrasive or work piece fragments.** *The eye protection must be capable of stopping flying debris generated by various operations. The dust mask or respirator must be capable of filtering particles generated by your operation. Prolonged exposure to high intensity noise may cause hearing loss.*

**Keep bystanders a safe distance away from work area. Anyone entering the work area must wear personal protective equipment.** *Fragments of work piece or of a broken accessory may fly away and cause injury beyond immediate area of operation.*

**Hold power tool by the plastic gripping surface only, when performing an operation where the cutting accessory may contact hidden wiring or its own cord.** *Cutting accessory contacting a "live" wire may make exposed metal parts of the power tool "live" and could give the operator an electric shock.*

**Regularly check safety guard before each use.** *Failure to do so could result in the motor overheating, a slower operating speed, or a failure in the drive shaft connection. The safety guard must be fully seated on the lip of the tool.*

## **GRINDING AND CUTTING-OFF OPERATIONS**

**Use only wheel types that are recommended for your power tool and only for recommended applications. For example: do not grind with the side of a cut-off wheel.** *Abrasive cut-off wheels are intended for peripheral grinding, side forces applied to these wheels may cause them to shatter.*

**Do not ‘jam’ a cut-off wheel or apply excessive pressure. Do not attempt to make an excessive depth of cut.** *Overstressing the wheel increases the loading and susceptibility to twisting or snagging of the wheel in the cut and the possibility of kickback or wheel breakage.*

**Do not position your hand in line with and behind the rotating wheel.** *When the wheel, at this point of operation, is moving away from your hand, the possible kickback may propel the spinning wheel and the power tool directly at you.*

**When wheel is pinched, snagged or when interrupting a cut for any reason, switch off the power tool and hold the power tool motionless until the wheel comes to a complete stop. Never attempt to remove the cut-off wheel from the cut while the wheel is in motion otherwise kickback may occur.** *Investigate and take corrective action to eliminate the cause of wheel pinching or snagging.*

**Do not restart the cutting operation in the work piece. Let the wheel reach full speed and carefully re-enter the cut.** *The wheel may bind, walk up or kickback if the power tool is restarted in the work piece.*

**Support panels or any oversized work piece to minimize the risk of wheel pinching and kickback.** *Large work pieces tend to sag under their own weight. Supports must be placed under the work piece near the line of cut and near the edge of the work piece on both sides of the wheel.*

**Use extra caution when making a “pocket cut” into existing walls or other blind areas.** *The protruding wheel may cut gas or water pipes, electrical wiring or objects that can cause kickback.*

## **IMPORTANT SAFETY REMINDERS**

### **FOR BATTERY CARTRIDGE:**

- Recharge only with the charger specified by the manufacturer. A charger that is suitable for one type of battery pack may create a risk of fire when used with another battery pack.
- Use the product only with specifically designated battery packs. Use of any other battery packs may create a risk of injury and fire.
- Before using battery cartridge, read all instructions and cautionary markings on (a) battery charger, (b) battery, and (c) product using battery.
- Do not disassemble battery cartridge.
- If operating time has become excessively shorter, stop operating immediately. It may result in a risk of overheating, possible burns and even an explosion.
- Under abusive conditions, liquid may be ejected from the battery; avoid contact. If electrolyte gets into your eyes, rinse them out with clear water and seek medical attention right away. It may result in loss of your eyesight.
- Do not short the battery cartridge:
  1. Do not touch the terminals with any conductive material.
  2. Avoid storing battery cartridge in a container with other metal objects such as nails, coins, etc.
  3. Do not expose battery cartridge to water or rain.
- A battery short can cause a large current flow, overheating, possible burns and even a breakdown.
- Do not store the product and battery cartridge in locations where the temperature may reach or exceed 50°C (122°F).
- Do not incinerate the battery cartridge even if it is severely damaged or is completely worn out. The battery cartridge can explode in a fire.
- Be careful not to drop or strike battery.
- Do not use a damaged battery.
- Follow your local regulations relating to disposal of battery.
- **Tips for maintaining maximum battery life**
- Never recharge a fully charged battery cartridge. Overcharging shortens the battery service life.
- Charge the battery cartridge with room temperature at 10°C - 40°C (50°F - 104°F).
- Let a hot battery cartridge cool down before charging it.



**Remove the battery from the battery holster before changing the accessory.**

**For SERVICE or REPAIR Contact**

DeWolf & Associates, LLC

**1-877-320-8203**

CONTACT@MYBOSSTOOLS.COM

**[www.MyBossTools.com](http://www.MyBossTools.com)**