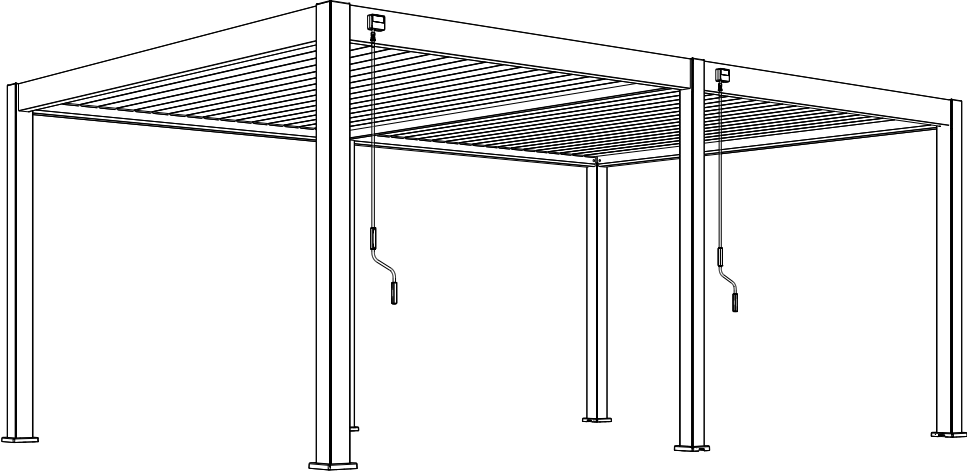






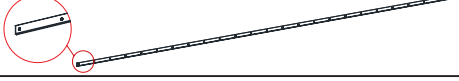




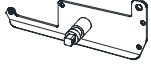

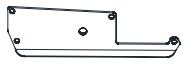

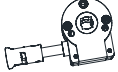
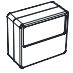

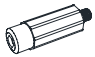
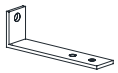



















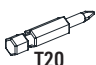
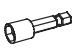
Installation Guide for Pergola 4m x 6m



Carton	RET	QTY		REF	QTY		REF	QTY
1/6	AO	4		AO-1	2		IO	6
	JO	6		TO	24		XO-1	24
2/6	BO-1	2		BO-2	2		CO	2
	EO	1		FO	2		HO	2
	NO	2		OO	2		PO	2
	QO	24		QO-1	2		RO	24
	SO	76		UO	112		UO-1	114
	VO	114		WO-1	2		XO	74
	XO-2	38		YO	38		ZO-1	1
	ZO-2	1		ZO-3	1		ZO-4	1
	ZO-5	6		ZO-6	1		ZO-7	1
3/6	GO	8		KO	2		LO	36
	LO-1	38		MO	74		WO	308
4/6	GO	10						
5/6	GO	10						
6/6	GO	10						

REF	PICTURE	QTY
AO		4PCS
AO-1		2PCS
BO-1		2PCS
BO-2		2PCS
CO		2PCS
EO		1PCS
FO		2PCS
GO		38PCS
HO		2PCS

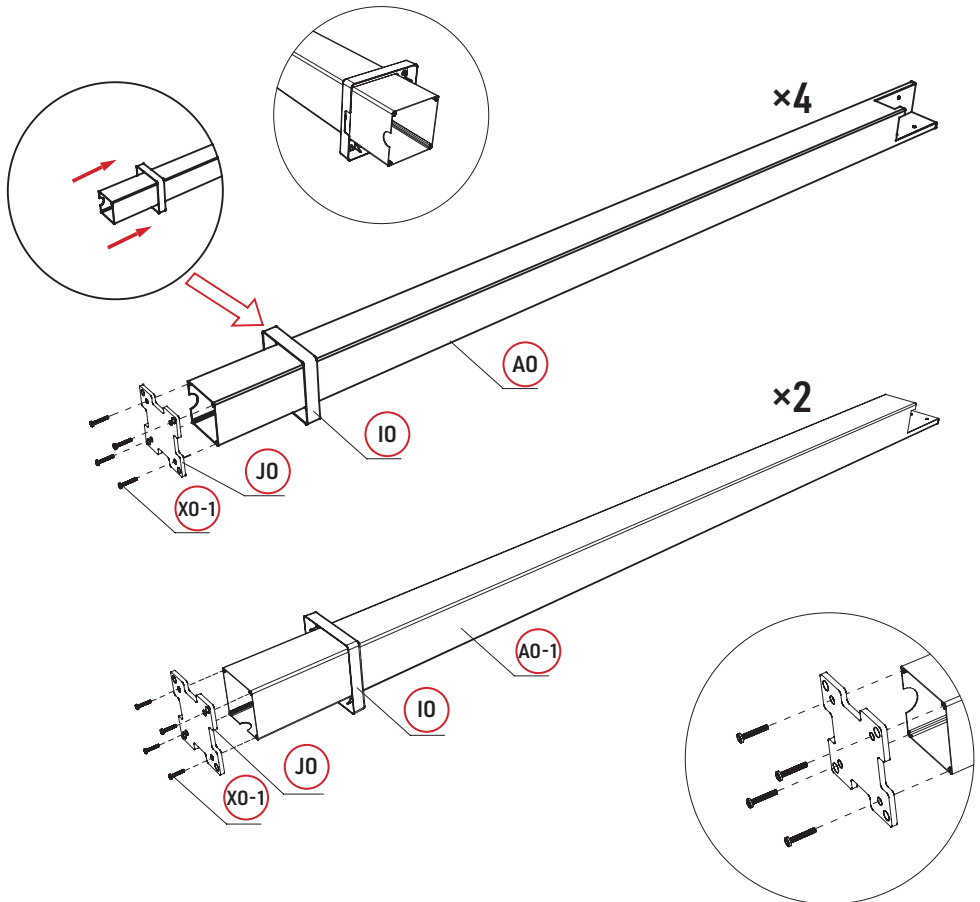
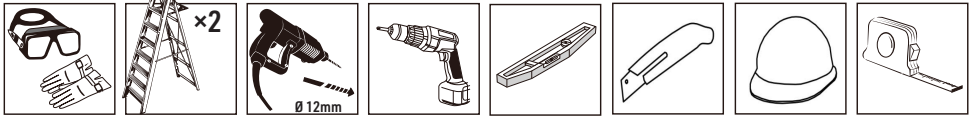
REF	PICTURE	QYT
IO		6PCS
JO		6PCS
KO		2PCS
LO		36PCS
LO-1		38PCS
MO		74PCS
NO		2PCS
OO		2PCS
PO		2PCS
QO		24PCS
QO-1		2PCS
RO		24PCS
SO		76PCS
TO	 10×80	24PCS
UO	 lock nut	112PCS

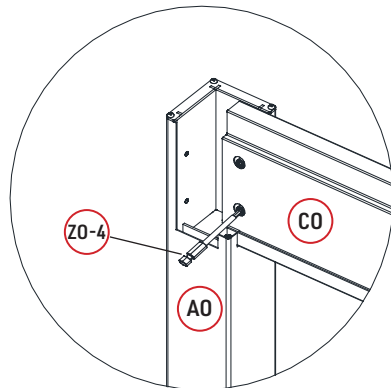
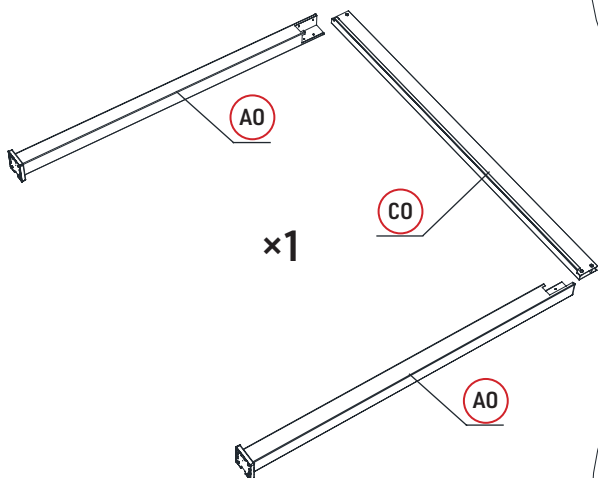
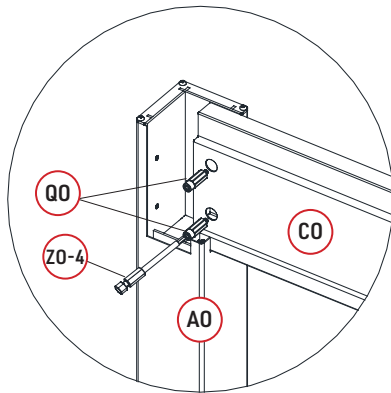
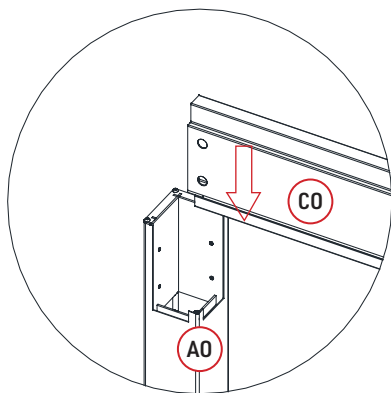
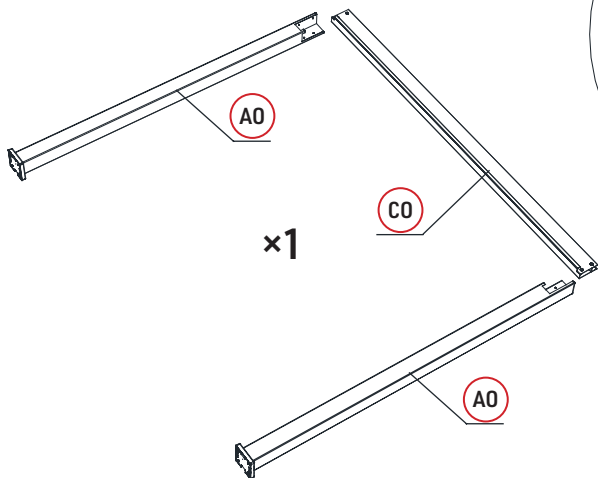
REF	PICTURE	QYT
UO-1	 plastic nut	114PCS
VO		114PCS
WO	 4×16	308PCS
WO-1	 5×19	2PCS
XO	 6×40	74PCS
XO-1	 6×35	24PCS
XO-2	 6×20	38PCS
YO	 6×45	6PCS
ZO-1	 4mm	1PCS
ZO-2	 4mm	1PCS
ZO-3	 6mm	1PCS
ZO-4	 6mm	1PCS
ZO-5	 10mm	1PCS
ZO-6	 T20	1PCS
ZO-7		1PCS

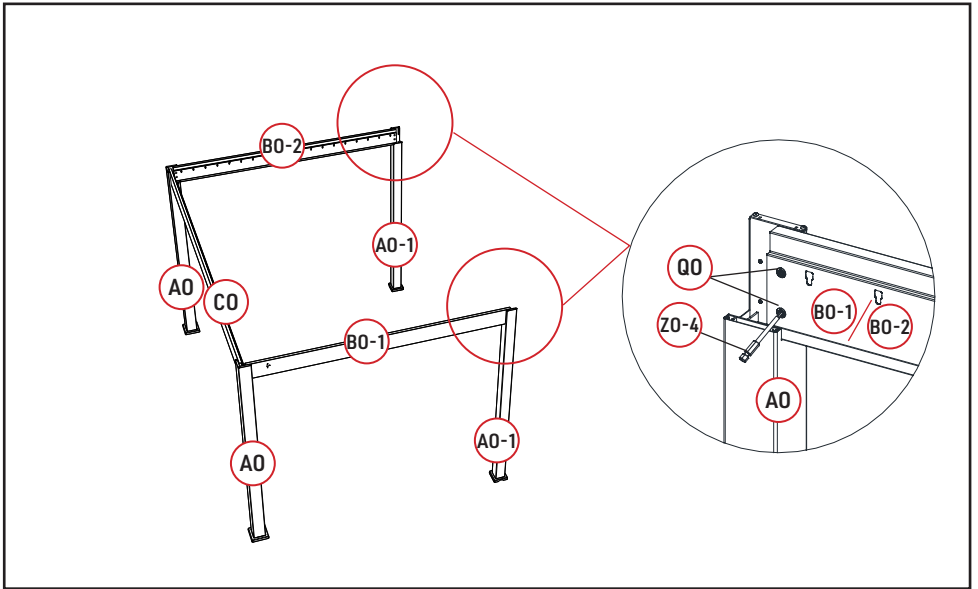
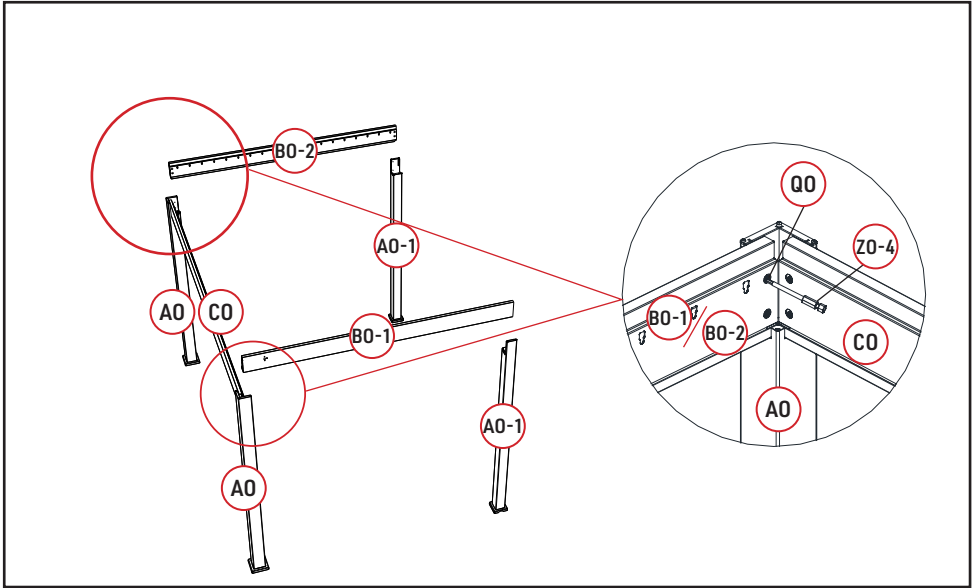
ATTENTION!!!

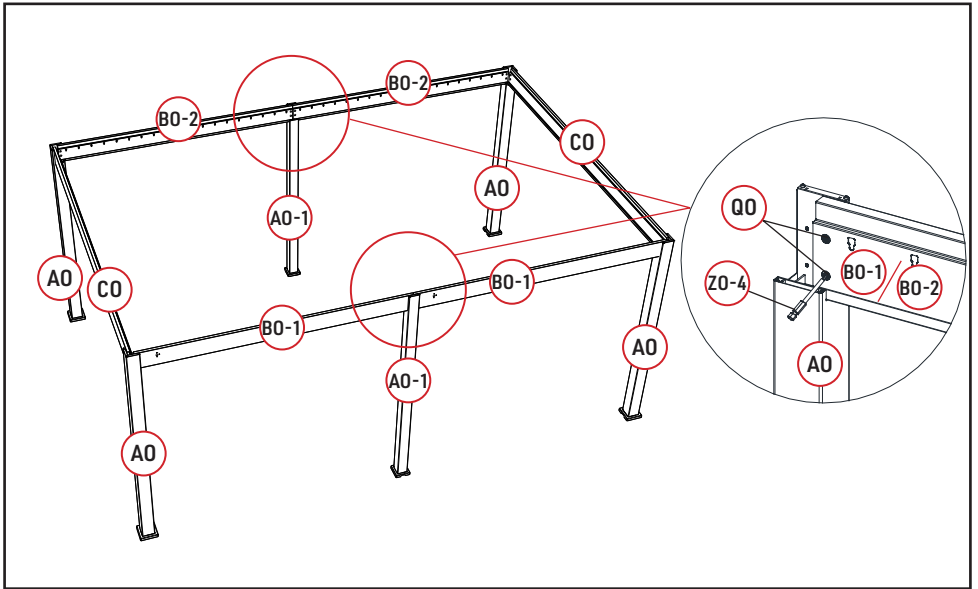
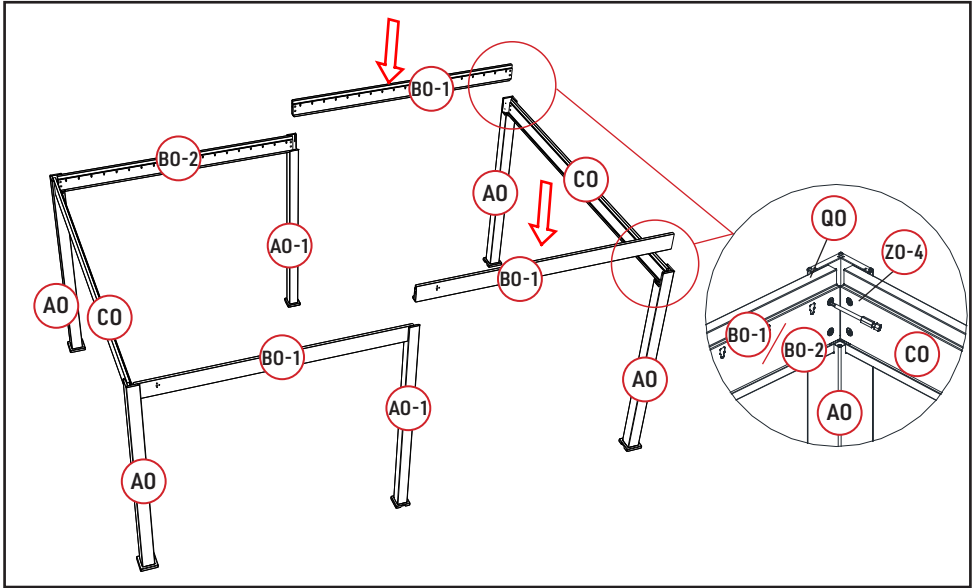
Please open the louvers to vertical in winter and snowing weather to protect your pergola!

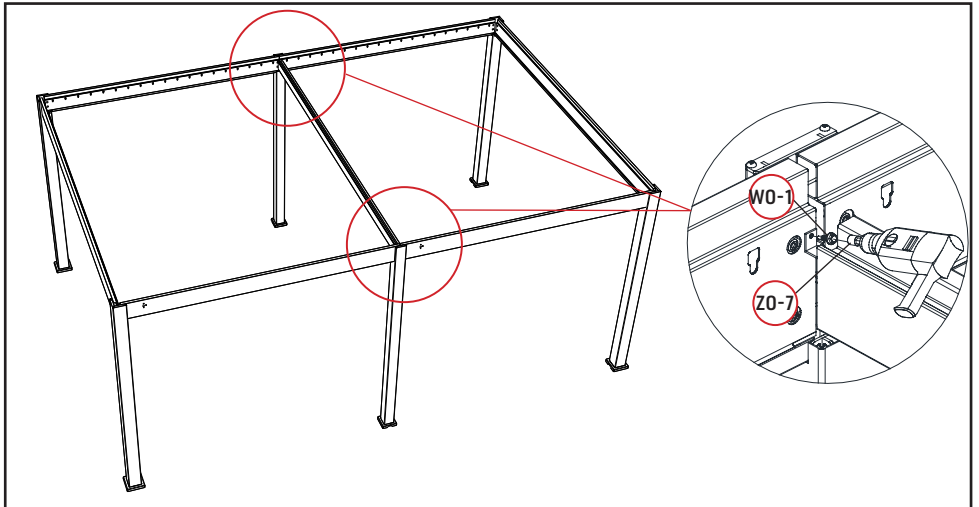
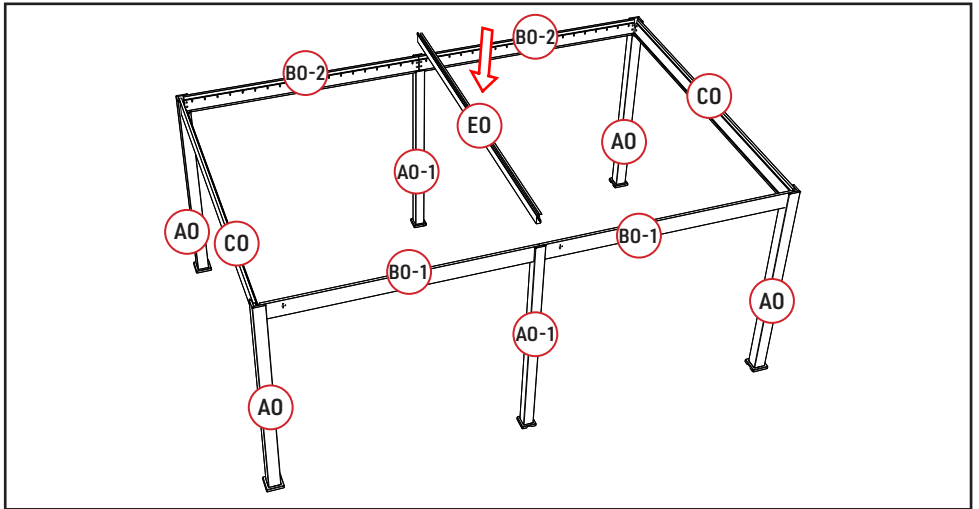
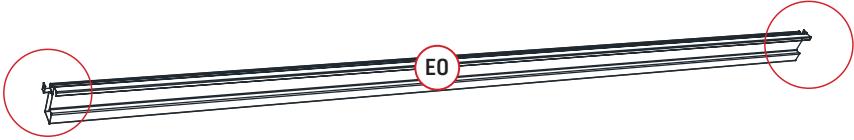
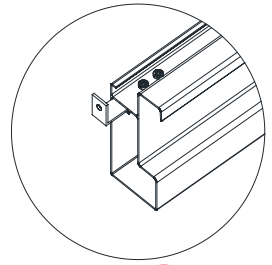
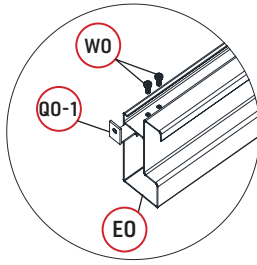
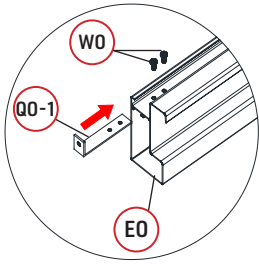
Tools Required for Installation



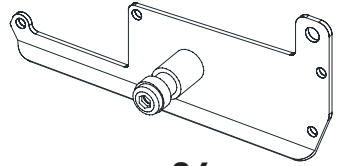
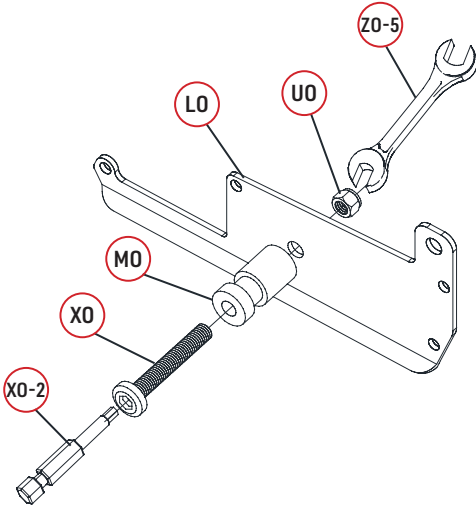
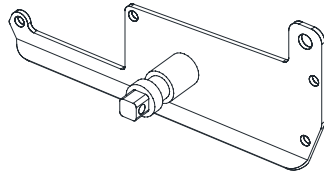




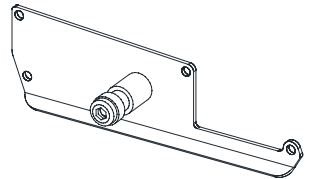
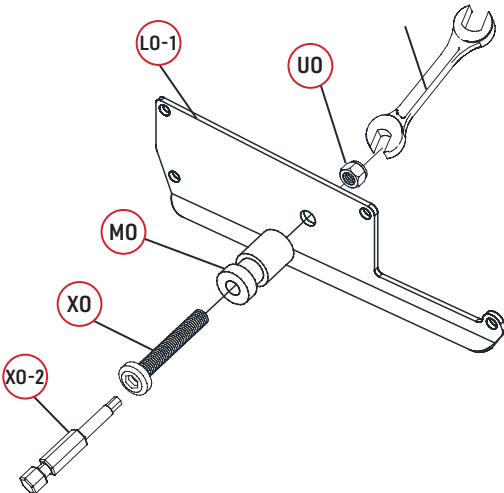




 **KO** ×2

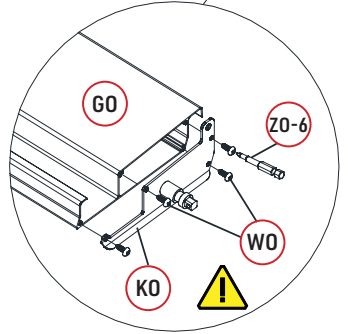
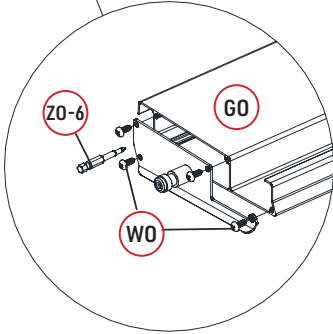


×36



×38

×2



×36

